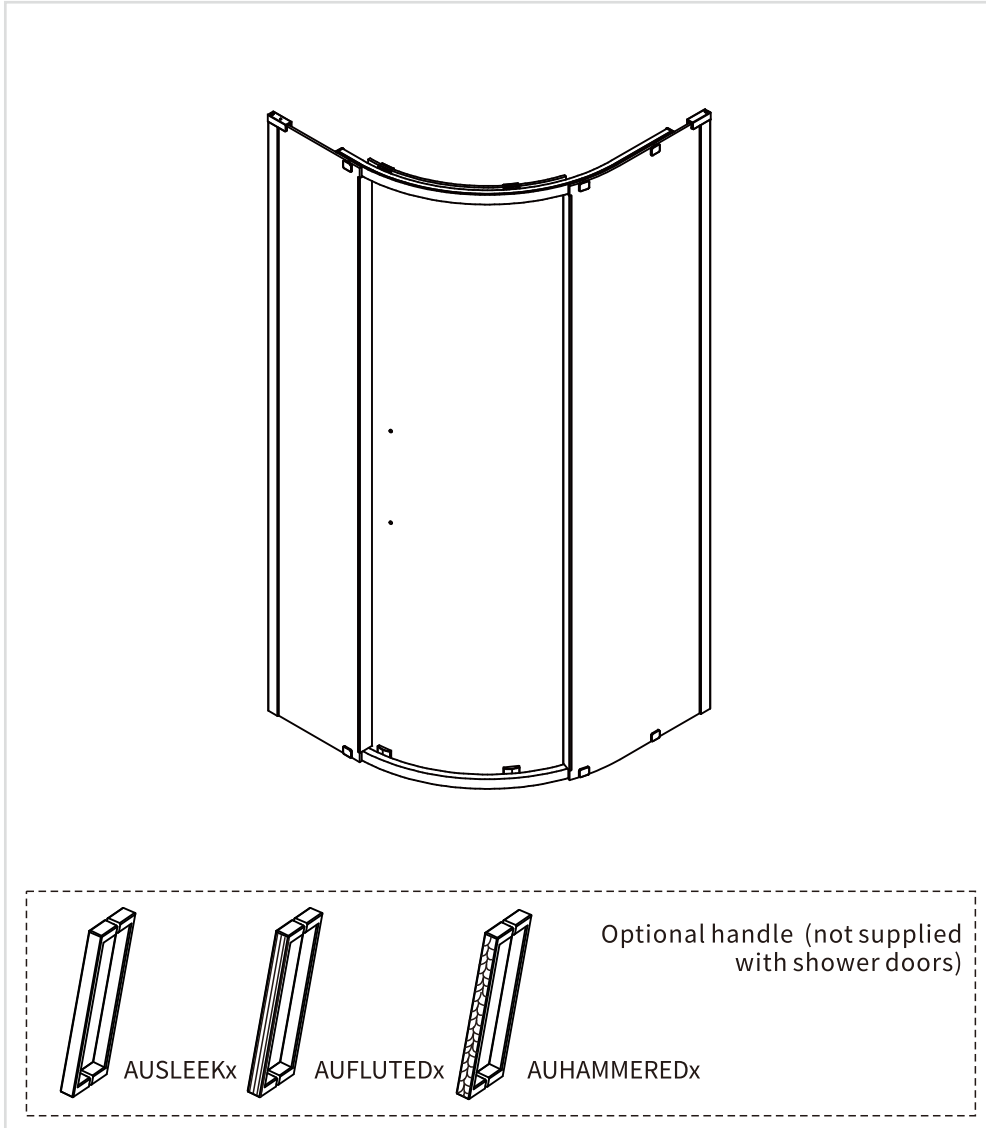


# ASURA

Quadrant Door



**PRODUCT CODES:**

- AUQSSC0800
- AUQSSC0900
- AUQSSC10X8
- AUQSSC12X8
- AUQSSC12X9
- AUQSBC0800
- AUQSBC0900
- AUQSBC10X8
- AUQSBC12X8
- AUQSBC12X9
- AUQSFC0800
- AUQSFC0900
- AUQSFC10X8
- AUQSFC12X8
- AUQSFC12X9
- AUQSVC0800
- AUQSVC0900
- AUQSVC10X8
- AUQSVC12X8
- AUQSVC12X9
- AUQSBZC0800
- AUQSBZC0900
- AUQSBZC10X8
- AUQSBZC12X8
- AUQSBZC12X9
- AUQSTC0800
- AUQSTC0900
- AUQSTC10X8
- AUQSTC12X8
- AUQSTC12X9



**IMPORTANT INFORMATION**

**Please read carefully and keep this information for further reference.**

**BEFORE STARTING THE INSTALLATION ENSURE ALL THE DOOR SIZE MEASUREMENTS CORRESPOND WITH THE INSTALLATION AREA INCLUDING THE FINISHED TILED/PANELLED WALLS. RETURNS DUE TO INCORRECT SIZING WILL NOT BE ACCEPTED.**

Check the contents of the pack carefully before installation. Crosswater will not be held responsible for any de-fit / re-fit costs where faulty product has been fitted. If any fault is found with materials or workmanship, it must be reported immediately to the manufacturer. Remedial action will be taken, based on information received, on condition that:

1. Full details are supplied to the manufacturer;

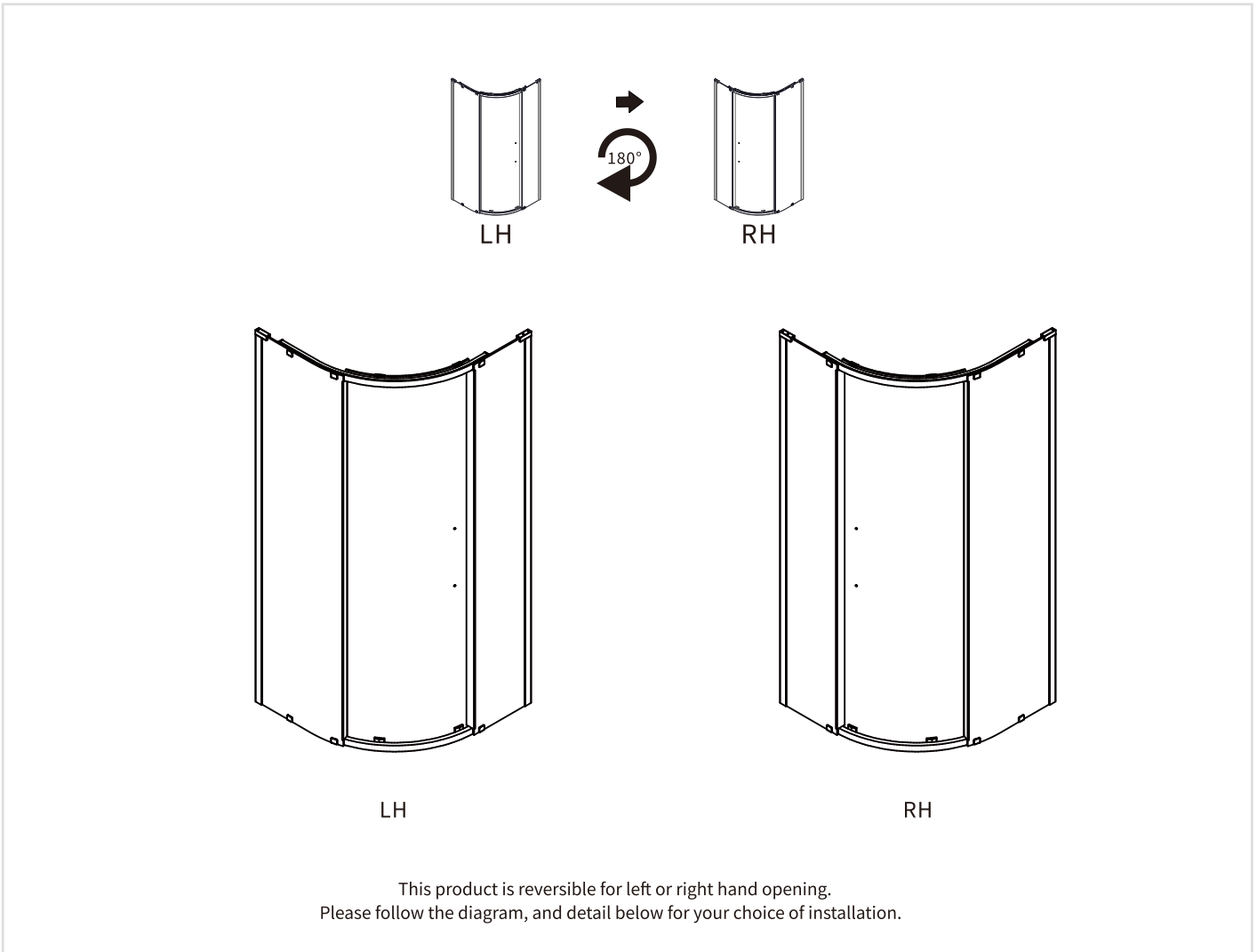
2. The enclosure has not been modified or tampered with;

3. The manufacturer is informed of any damage/shortages prior to installation.

**VERY IMPORTANT**

You must complete all tiling and grouting, and the shower tray **MUST** be level and fully sealed to the tiles before installation. If you do not fit the enclosure onto a tiled surface, or seal the tiles to the tray before installation, water may soak into the wall behind the wall profiles.

**ORIENTATION**



**IMPORTANT INFORMATION**

**Please read carefully and keep this information for further reference.**

The installation instructions are based on typical use and conditions. All doors are designed to open to the left or right. These hints have been prepared for your guidance, you must exercise due care at all times. For Health and Safety 2 people must carry out the installation of this shower enclosure. Handle glass with care. Although the glass supplied is toughened safety glass (EN12150), impacts can damage both the glass and the frame.

## BEFORE YOU START

### Warning!




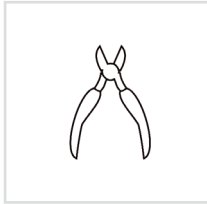
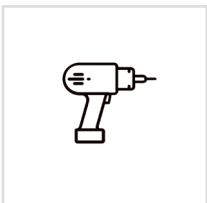
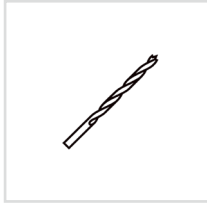
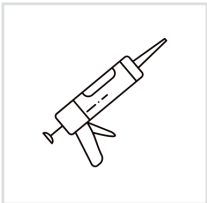


Please check for any hidden pipes or cables before drilling holes in the wall.

When using power tools always follow the manufacturers user instructions.

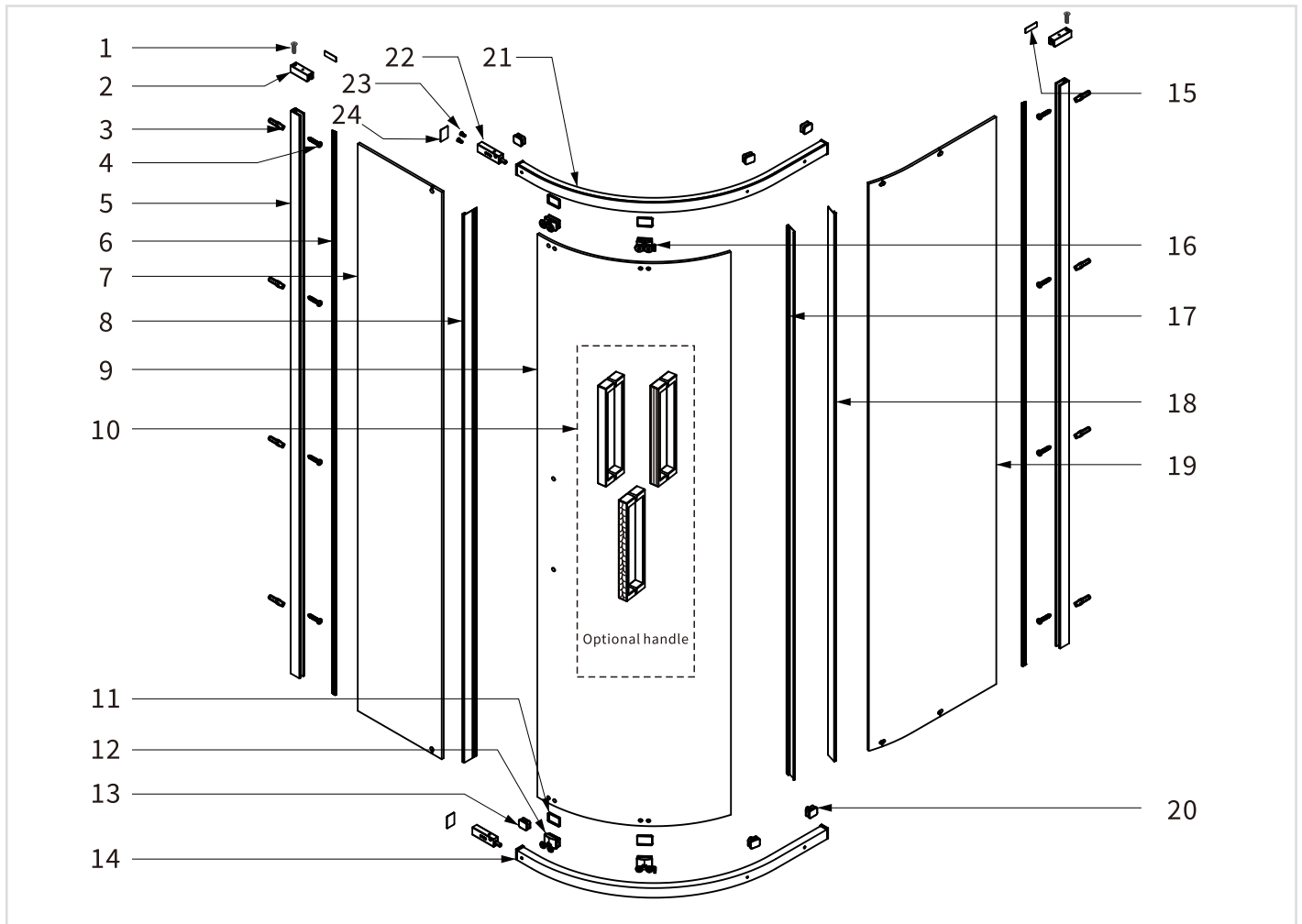
If the Framework is sealed to the tray on the inside, any water that may get into the framework will not be able to drain back into the tray, this may cause the enclosure to leak.







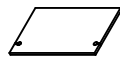





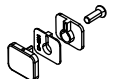


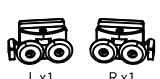


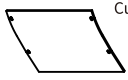
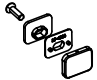

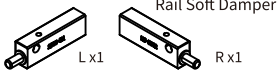




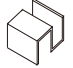
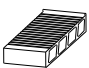
Leave the silicone sealant to dry for 24 hours before using the enclosure.

### Tools Required (not supplied):

Spirit Level		Torque Screw Driver	
Pencil		Snips	
Drill		6mm Drill Bit	
Silicone		Measuring Tape	
Knife			

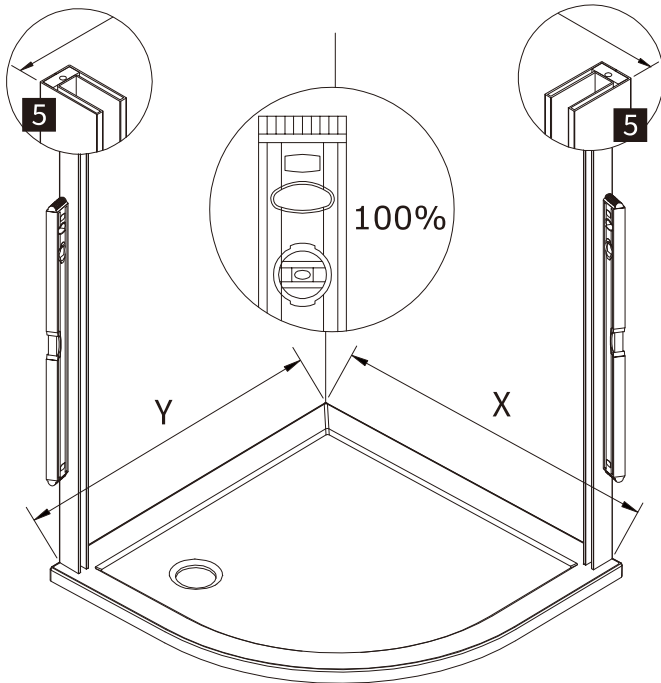
COMPONENTS



1	 4x30mm Screw x2	2	 Bracing Bar L x1 R x1	3	 Wall Plug x8	4	 4x50mm Screw x8
5	 Wall Profile x2	6	 Wedge Seal x2	7	 Flat Fixed Panel x1	8	 Flat Fixed Panel Seal x1
9	 Moving Panel x1	10	 Optional Handle (Not Supplied With Shower Door) x1	11	 Roller Cover x4	12	 Bottom Roller L x1 R x1
13	 Rail Fixing Pin With Notch x2	14	 Rail A x1	15	 Wall Profile Cover x2	16	 Top Roller L x1 R x1
17	 Moving Panel Seal x1	18	 Curved Fixed Panel Seal x1	19	 Curved Fixed Panel x1	20	 Rail Fixing Pin x4
21	 Rail B x1	22	 Rail Soft Damper L x1 R x1	23	 4x10mm Screw x4	24	 Screw Cover x2
25	 Allen Key 2.5mm x1 3mm x1 4mm x1	26	 Wedge Gasket Tool x1	27	 Tool x3	28	 Panel Tool x1

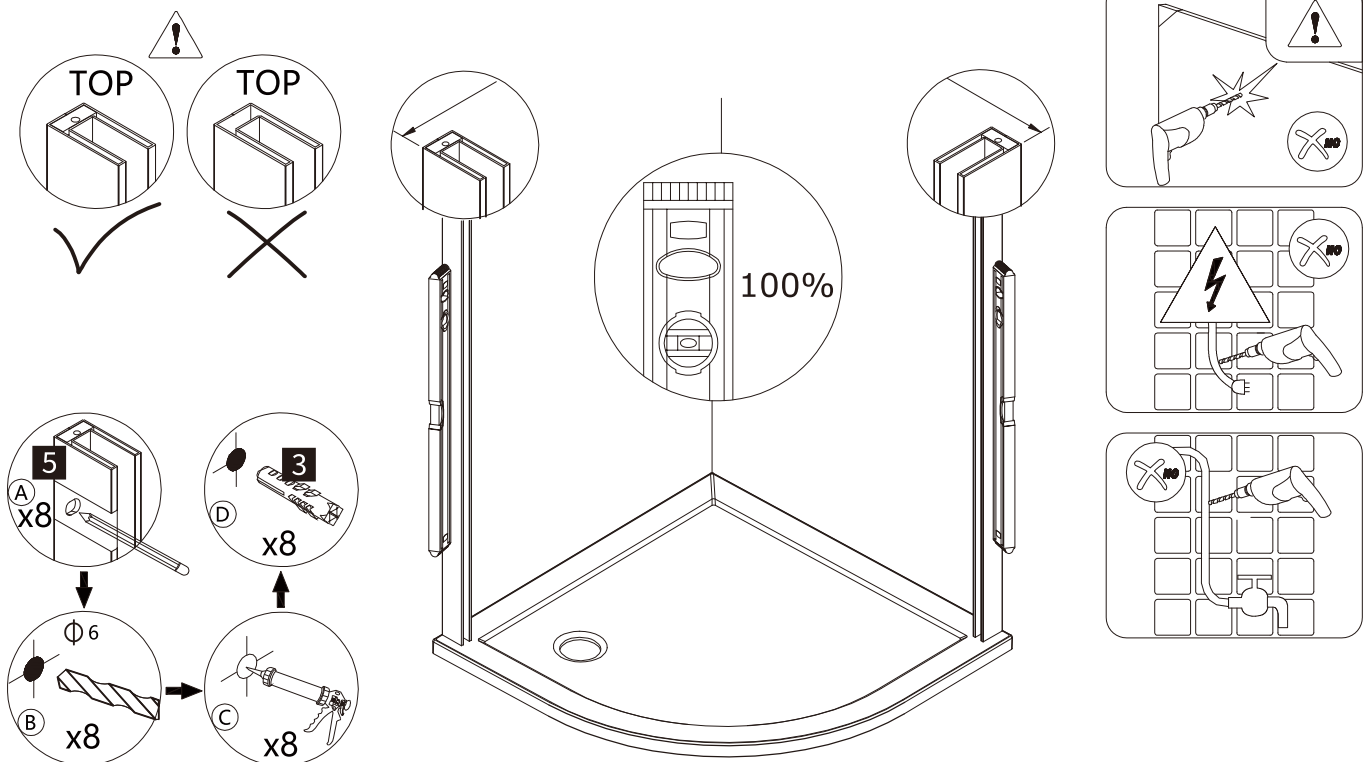
INSTALLATION

1

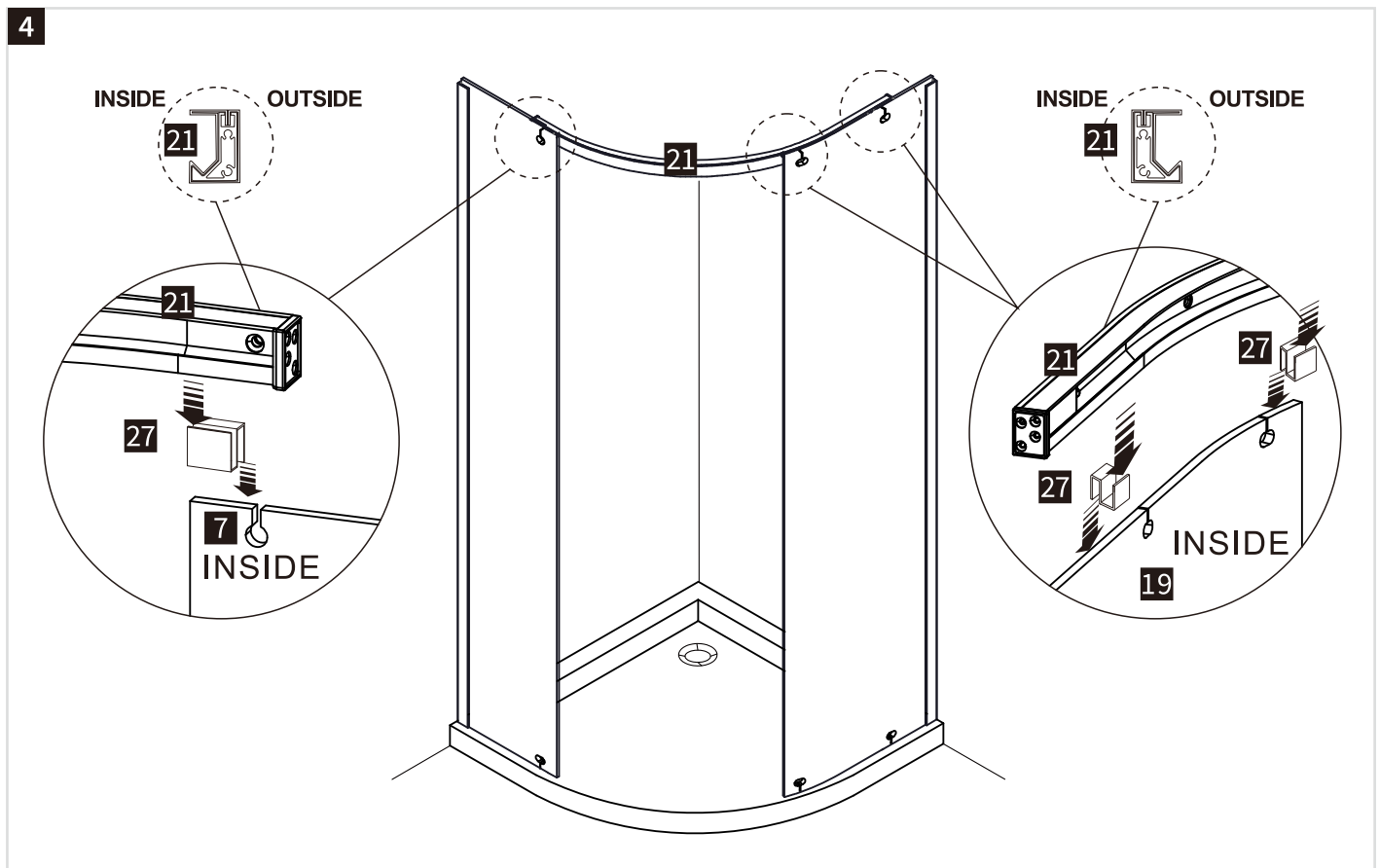
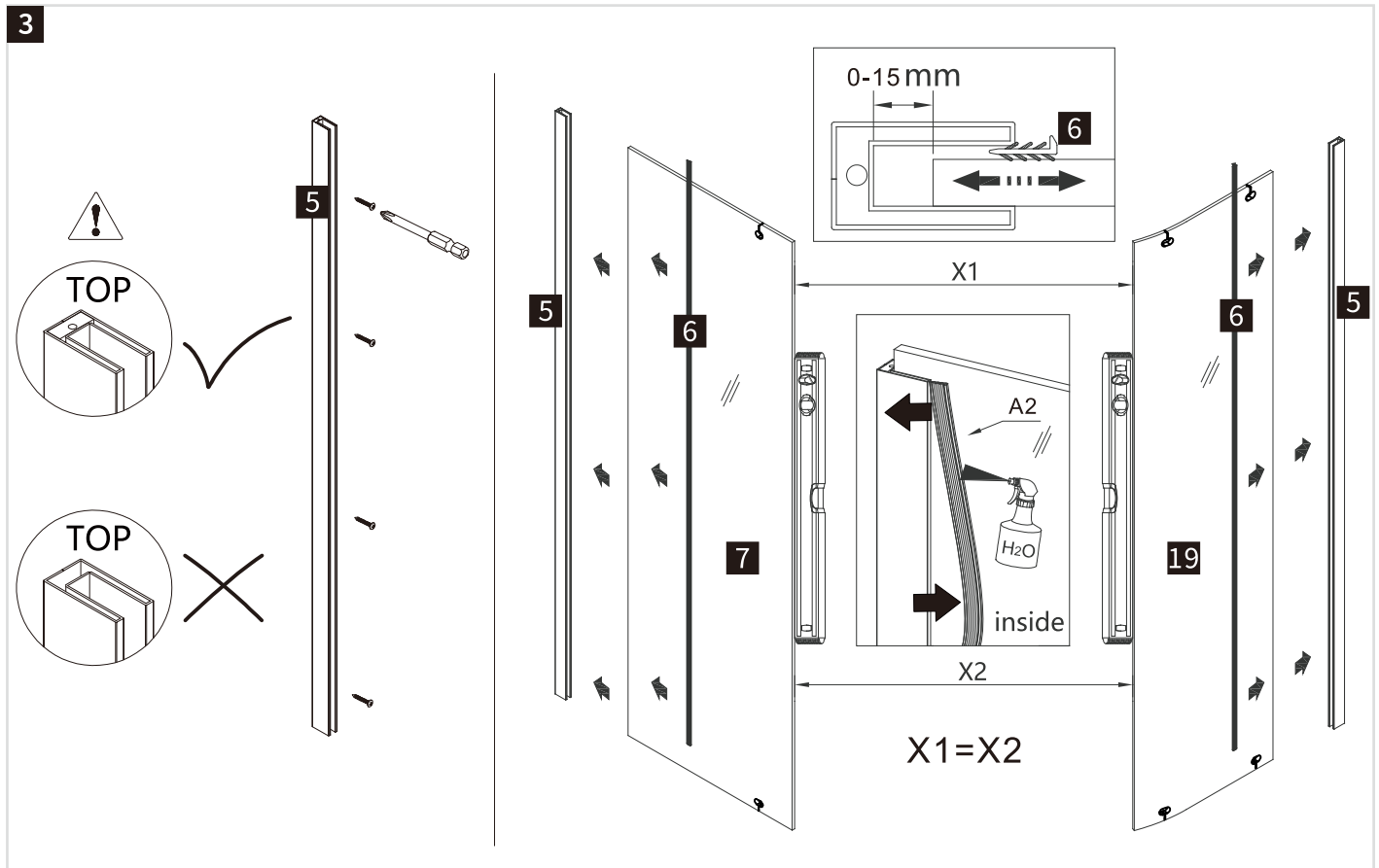


Product	X(mm)	Y(mm)
800x800mm QUADRANT DOOR	765-780	765-780
900x900mm QUADRANT DOOR	865-880	865-880
1000x800mm QUADRANT DOOR	965-980	765-780
1200x800mm QUADRANT DOOR	1165-1180	765-780
1200x900mm QUADRANT DOOR	1165-1180	865-880

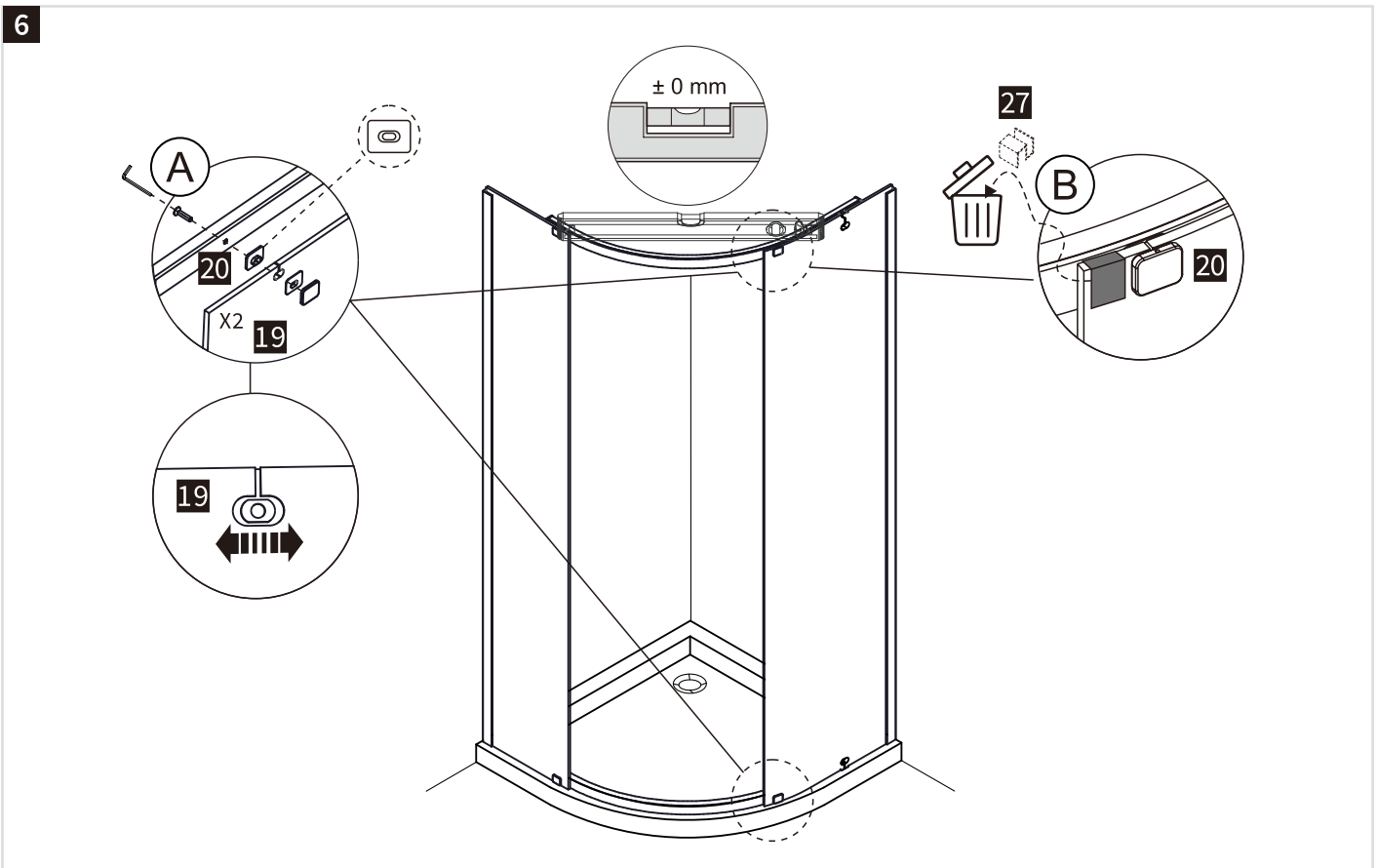
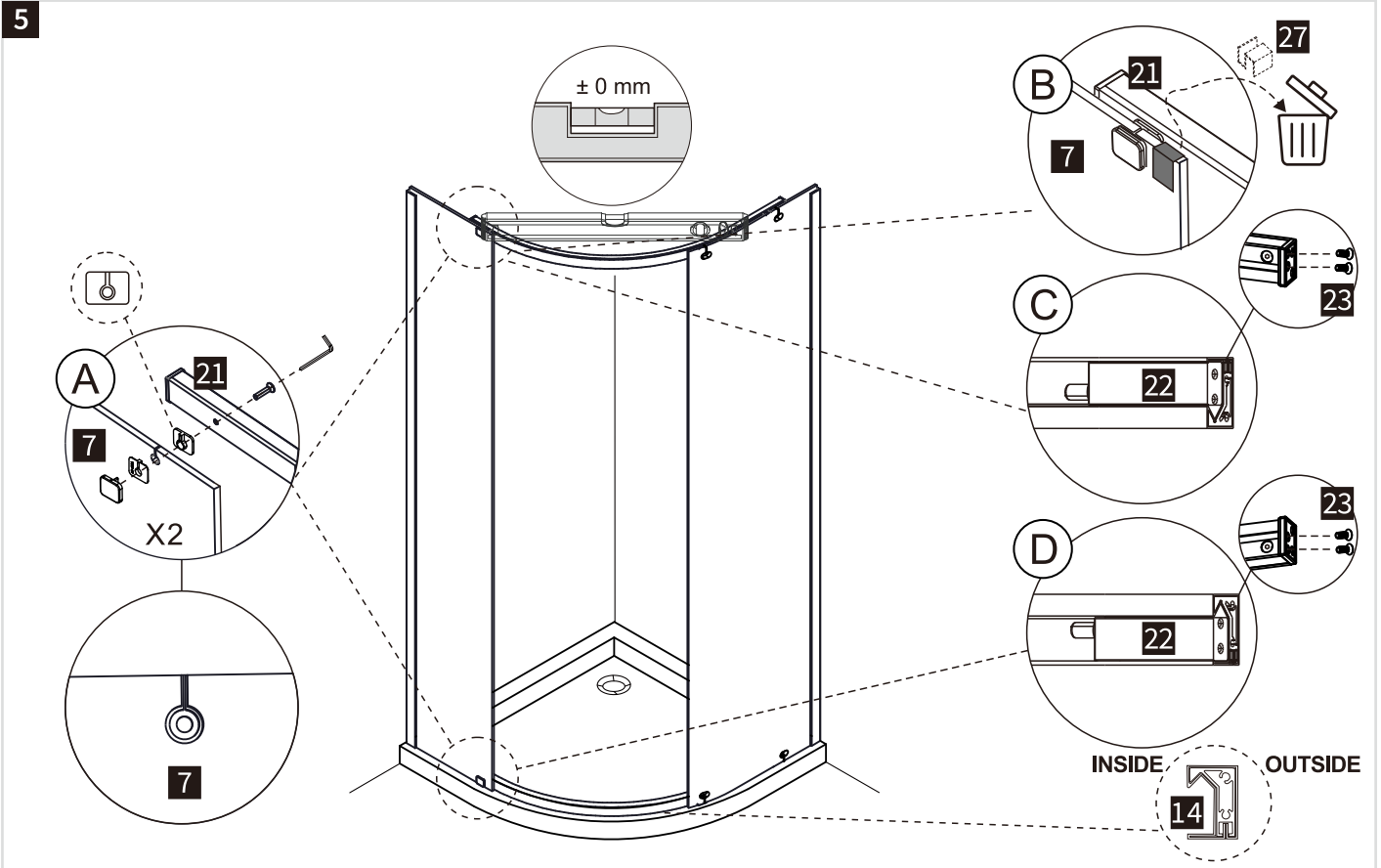
2



INSTALLATION

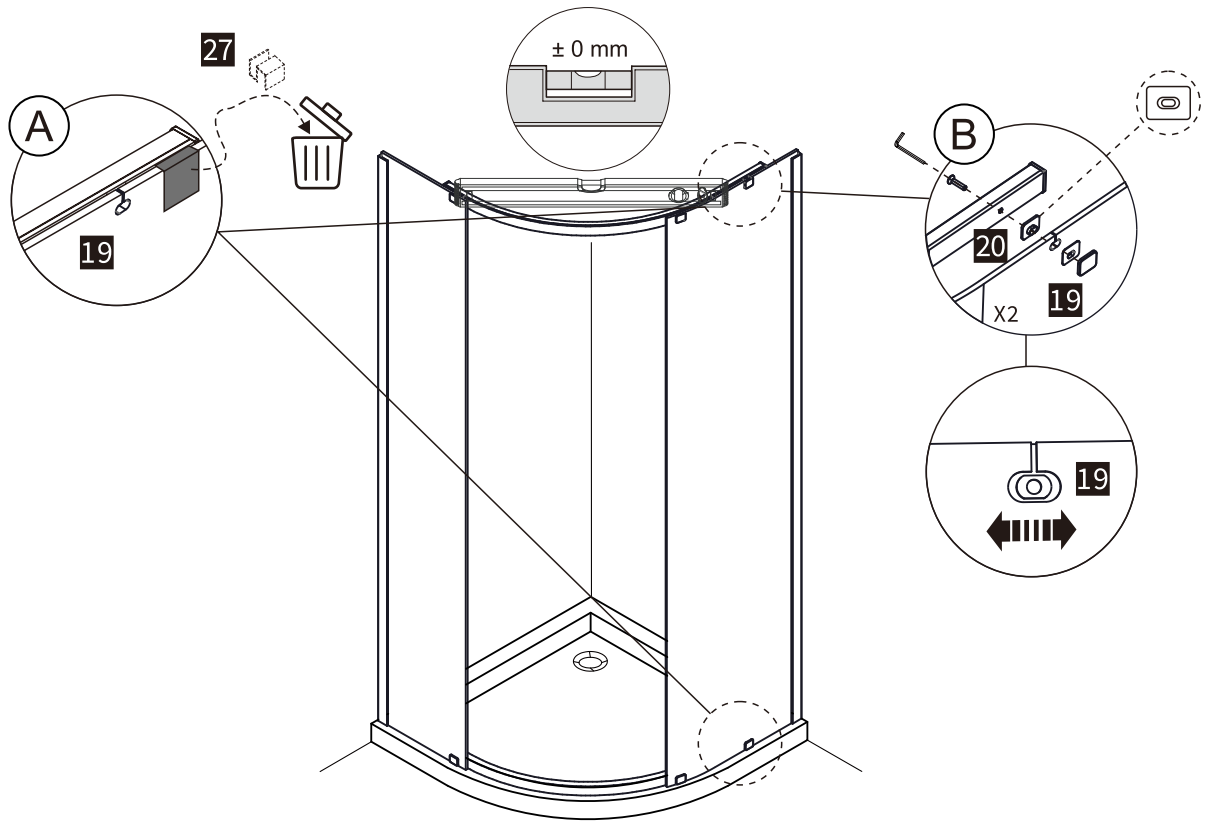


INSTALLATION

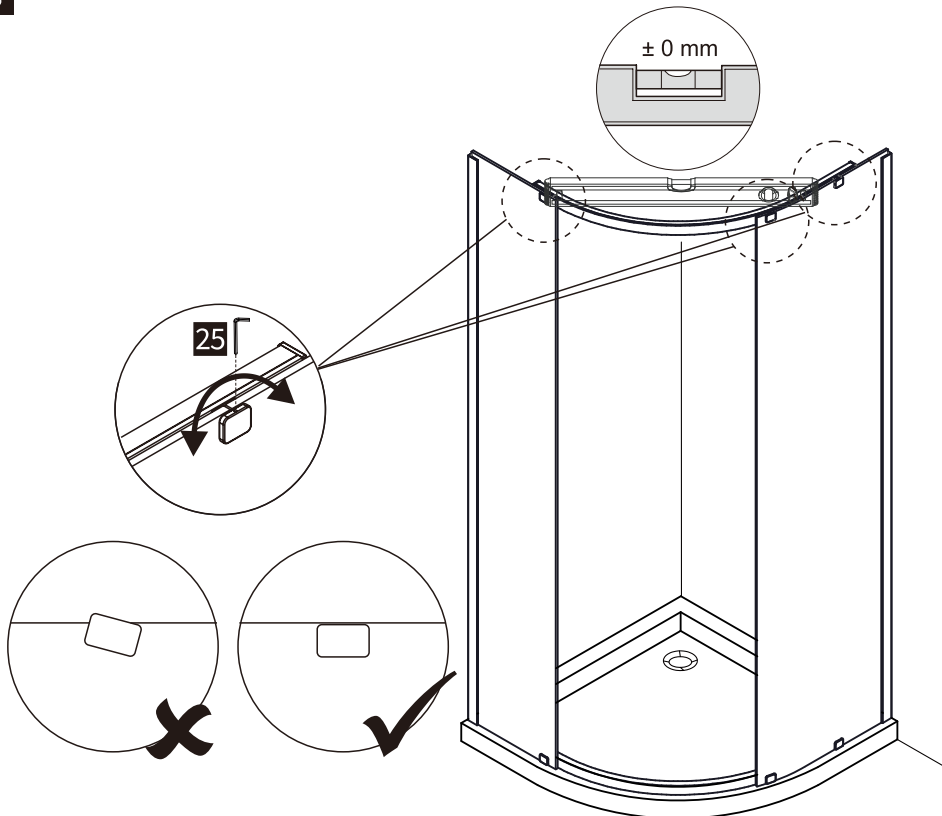


INSTALLATION

7

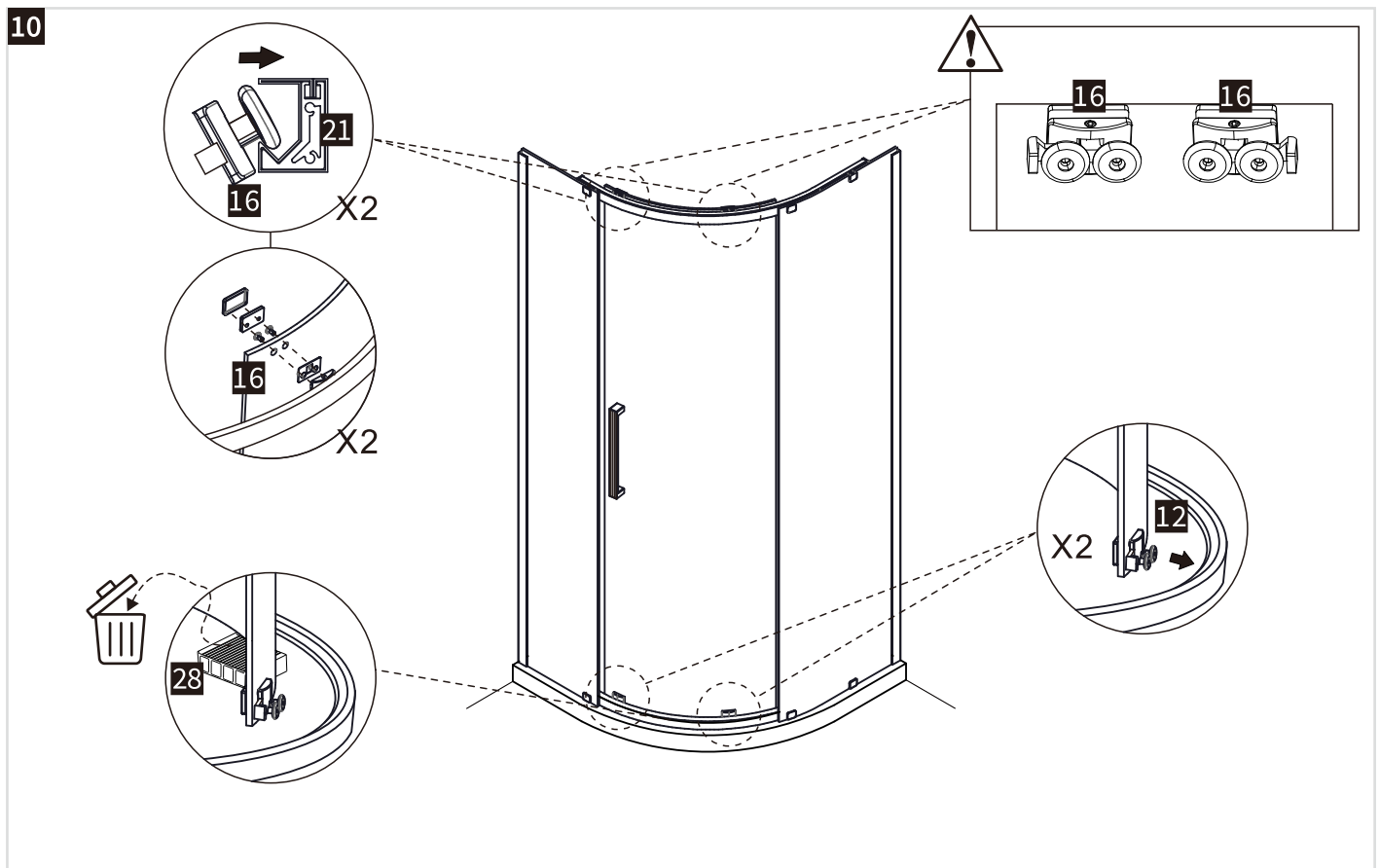
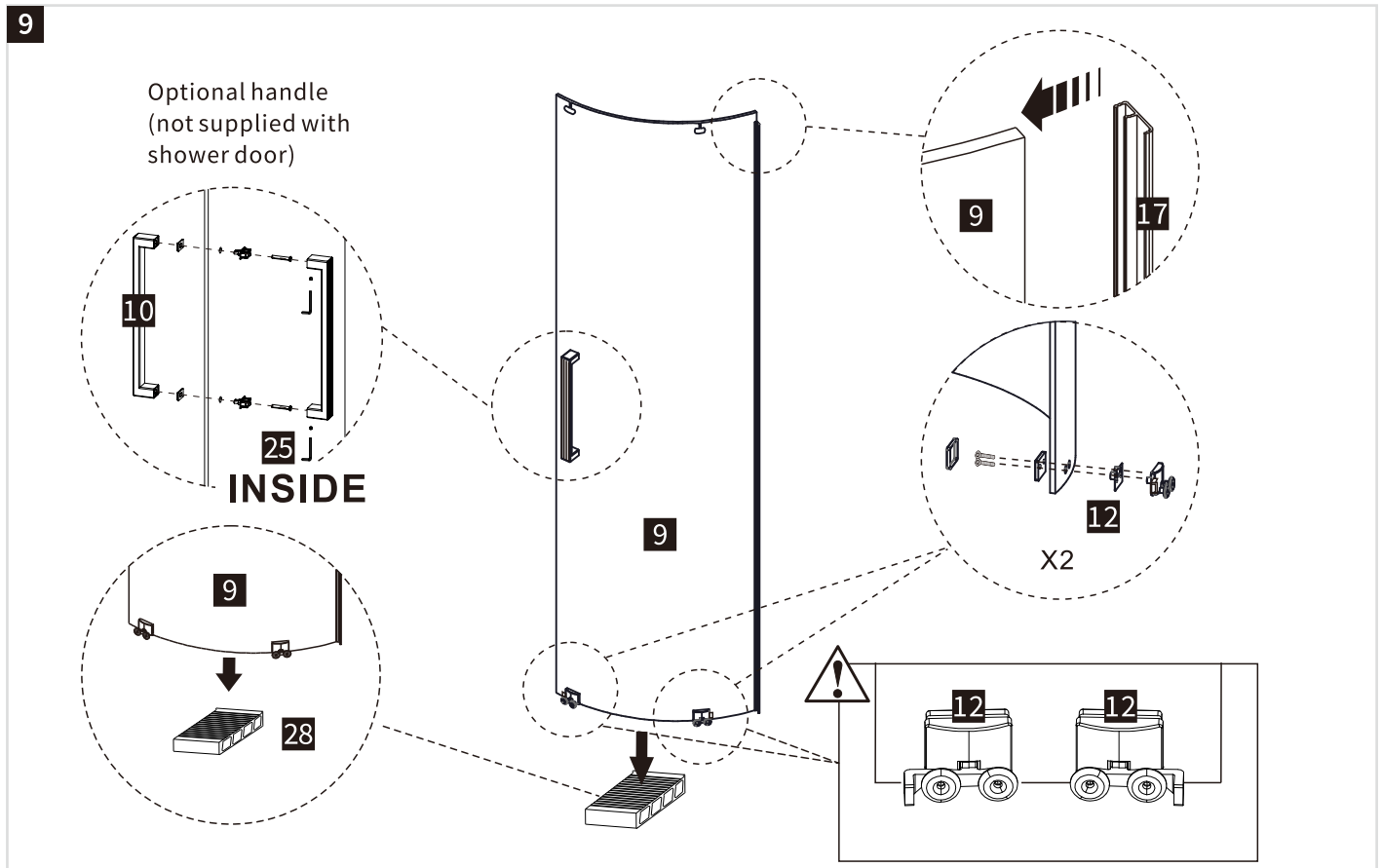


8



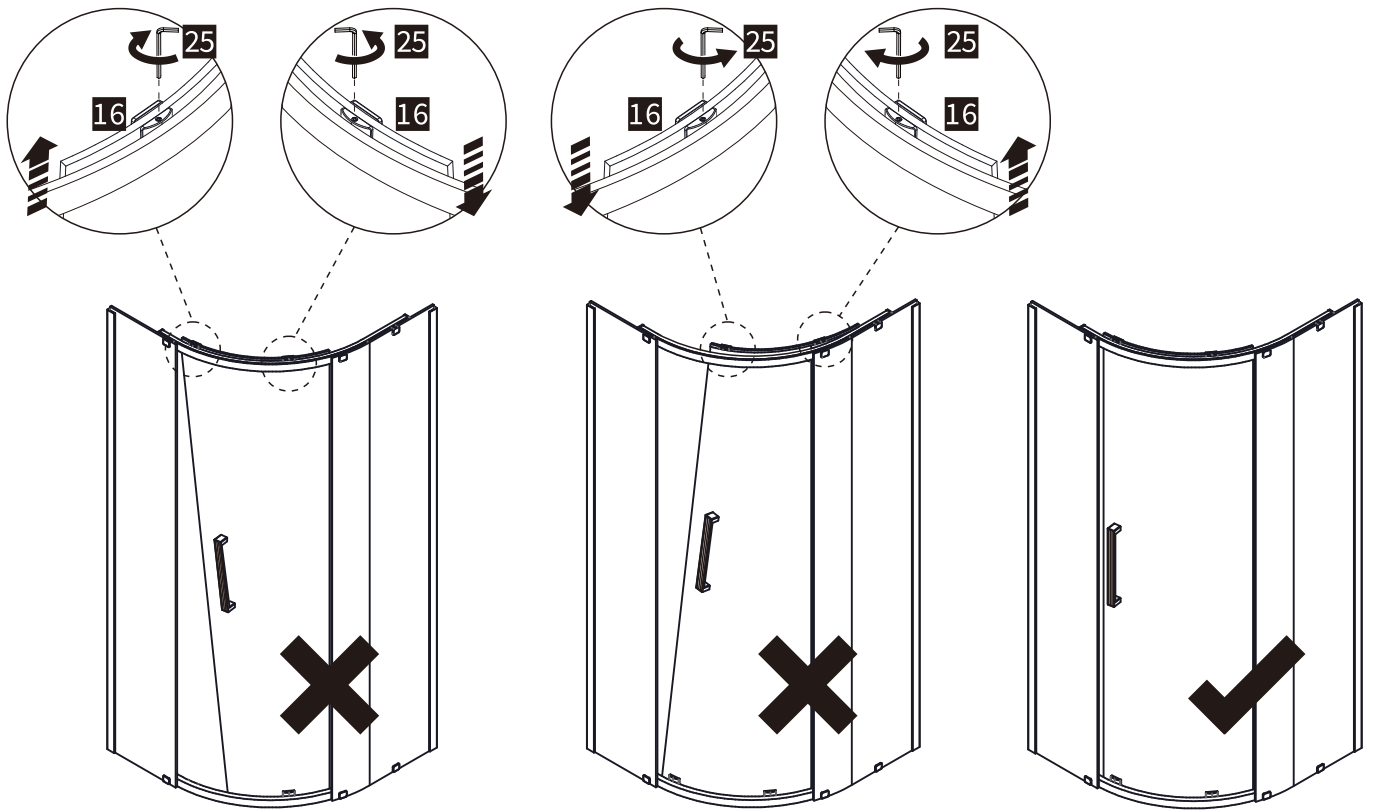


INSTALLATION

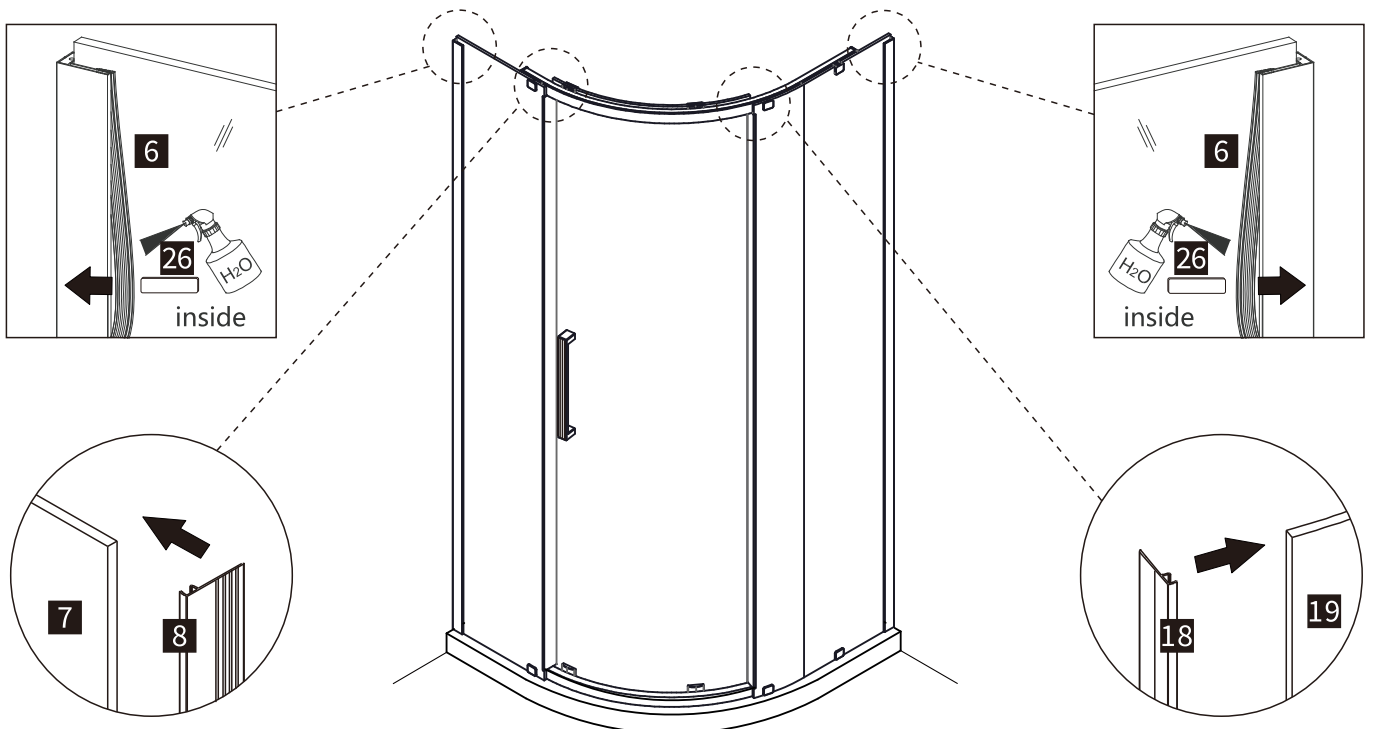


INSTALLATION

11

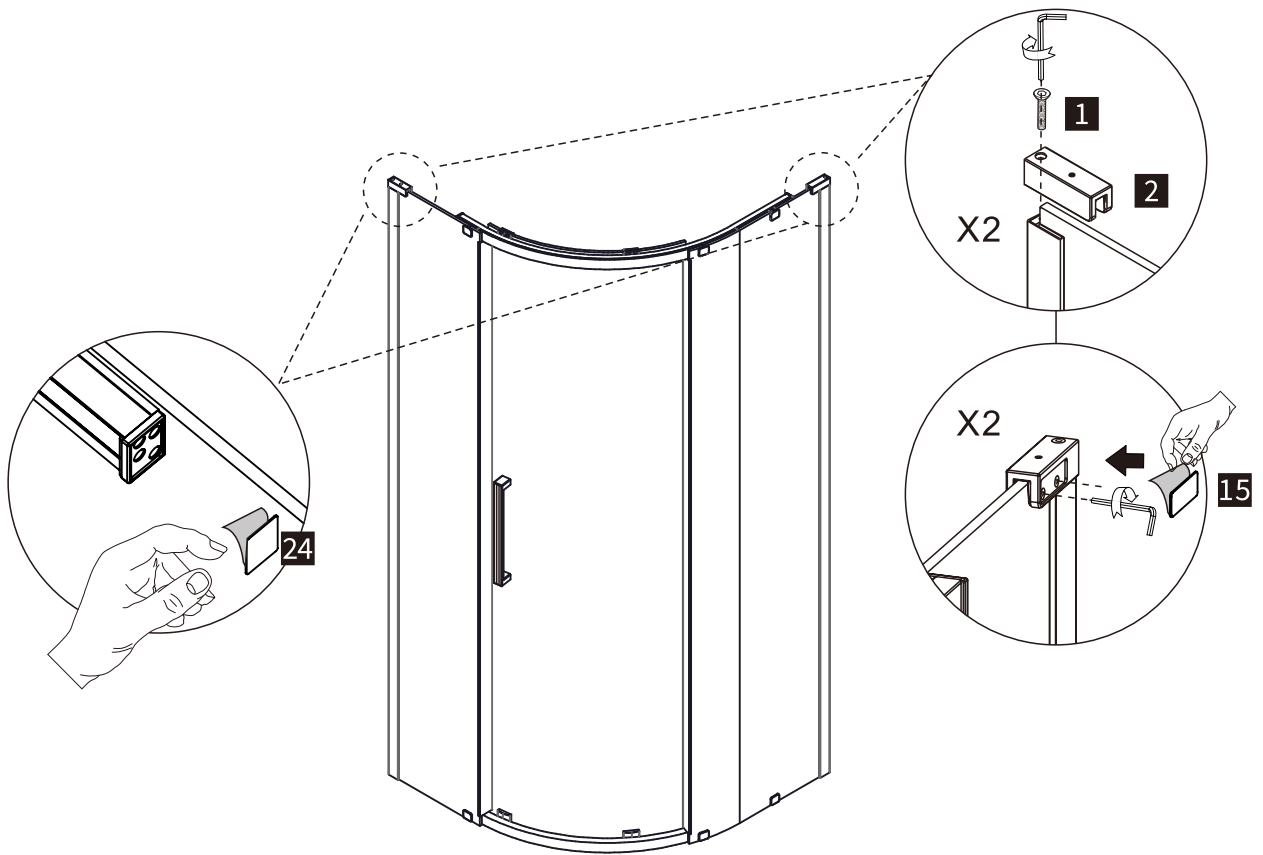


12

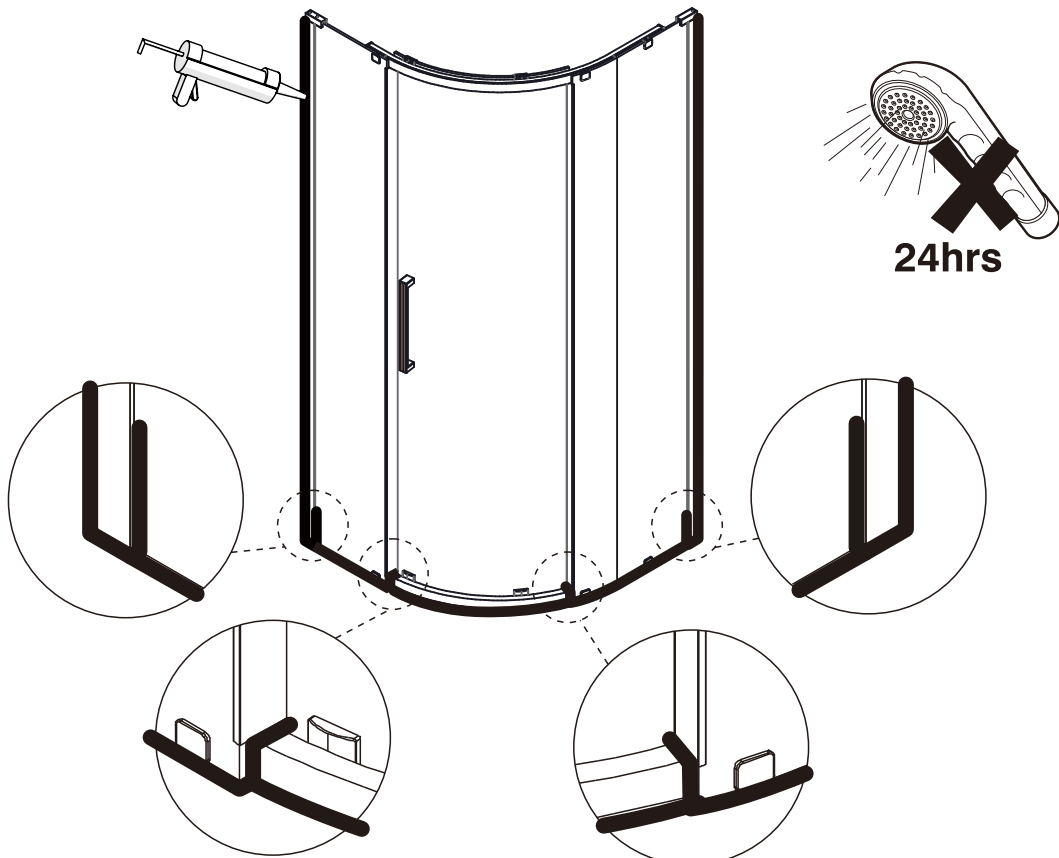


INSTALLATION

13



14



CARE & MAINTENANCE

Do not use solvents or abrasive materials or chemicals to clean shower doors.

PH < 6.8, PH > 7.2

Only use soapy water and soft cloth, rinse thoroughly afterwards.

PH = 6.8 - 7.2

