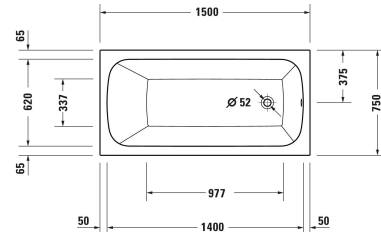
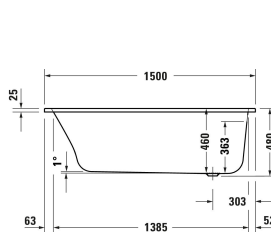
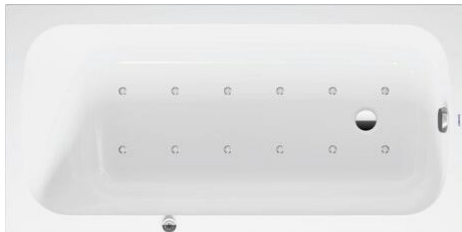


Whirltub # 760609000AS0000 / 760609000CE1000 /  
760609000JS1000

|< 1500 mm >|

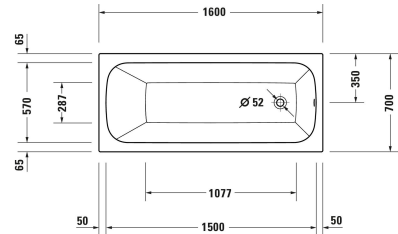
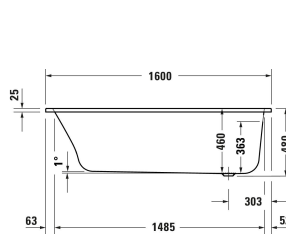


Whirltub	Dimension	Weight	Order number
Rectangular, 1500x750 mm, Installation, White, Sanitary acrylic, Number of backrests: 1, Incl. support frame, Incl. waste and overflow, Capacity: 215 l			
<b>Colors</b>			
00 White Alpin			
<b>Variant</b>			
Air-System		32.000 kg	760609000AS0000
Combi-System E		52.000 kg	760609000CE1000
Jet-System		36.000 kg	760609000JS1000
<b>Suitable setting for Combi-System E</b>			
Tub heating	0 x 0 mm	1.5 kg	791882
Waste and overflow with inlet Tub filler, Quadroval, Bowden cable length: 750 mm, Diameter waste plug: 52 mm	400 x 80 mm	0 kg	791206
Bathtub anchors	100 x 30 mm	0.63 kg	790103
<b>Suitable products</b>			
Tile flange , 3300 x 4 mm	3300 x 4 mm		790126

All drawings contain the necessary measurements which are subject to standard tolerances. They are stated in mm and are non-binding. Exact measurements, in particular for customised installation scenarios, can only be taken from the finished piece.

Whirltub # 760610000AS0000 / 760610000CE1000 /  
760610000JS1000

|< 1600 mm >|

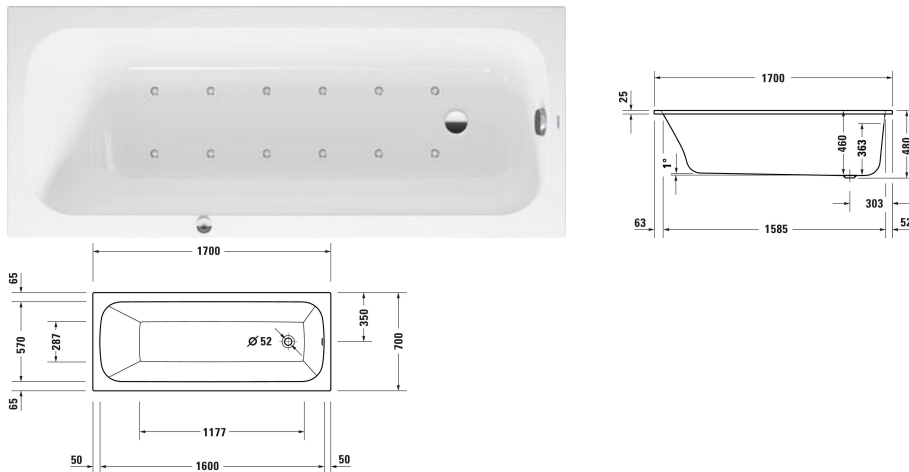


Whirltub	Dimension	Weight	Order number
Rectangular, 1600x700 mm, Installation, White, Sanitary acrylic, Number of backrests: 1, Incl. support frame, Incl. waste and overflow, Capacity: 225 l			
<b>Colors</b>			
00 White Alpin			
<b>Variant</b>			
Air-System		33.500 kg	760610000AS0000
Combi-System E		53.500 kg	760610000CE1000
Jet-System		37.500 kg	760610000JS1000
<b>Suitable setting for Combi-System E</b>			
Tub heating	0 x 0 mm	1.5 kg	791882
Waste and overflow with inlet Tub filler, Quadroval, Bowden cable length: 750 mm, Diameter waste plug: 52 mm	400 x 80 mm	0 kg	791206
Bathtub anchors	100 x 30 mm	0.63 kg	790103
<b>Suitable products</b>			
Tile flange , 3300 x 4 mm	3300 x 4 mm		790126

All drawings contain the necessary measurements which are subject to standard tolerances. They are stated in mm and are non-binding. Exact measurements, in particular for customised installation scenarios, can only be taken from the finished piece.

Whirltub # 760611000AS0000 / 760611000CE1000 /  
760611000JS1000

|< 1700 mm >|

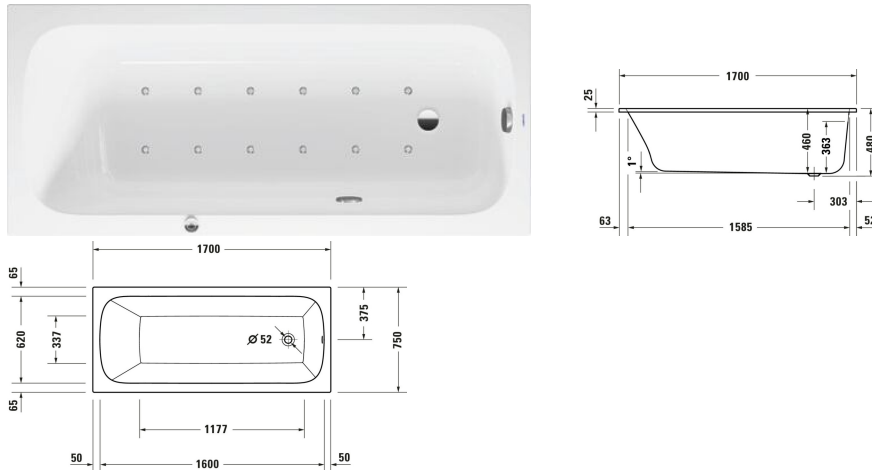


Whirltub	Dimension	Weight	Order number
Rectangular, 1700x700 mm, Installation, White, Sanitary acrylic, Number of backrests: 1, Incl. support frame, Incl. waste and overflow, Capacity: 240 l			
<b>Colors</b>			
00 White Alpin			
<b>Variant</b>			
Air-System		35.500 kg	760611000AS0000
Combi-System E		55.500 kg	760611000CE1000
Jet-System		39.500 kg	760611000JS1000
<b>Suitable setting for Combi-System E</b>			
Tub heating	0 x 0 mm	1.5 kg	791882
Waste and overflow with inlet Tub filler, Quadroval, Bowden cable length: 750 mm, Diameter waste plug: 52 mm	400 x 80 mm	0 kg	791206
Bathtub anchors	100 x 30 mm	0.63 kg	790103
<b>Suitable products</b>			
Tile flange , 3300 x 4 mm	3300 x 4 mm		790126

All drawings contain the necessary measurements which are subject to standard tolerances. They are stated in mm and are non-binding. Exact measurements, in particular for customised installation scenarios, can only be taken from the finished piece.

**Whirltub # 760612000AS0000 / 760612000CE1000 / 760612000JS1000**

|< 1700 mm >|

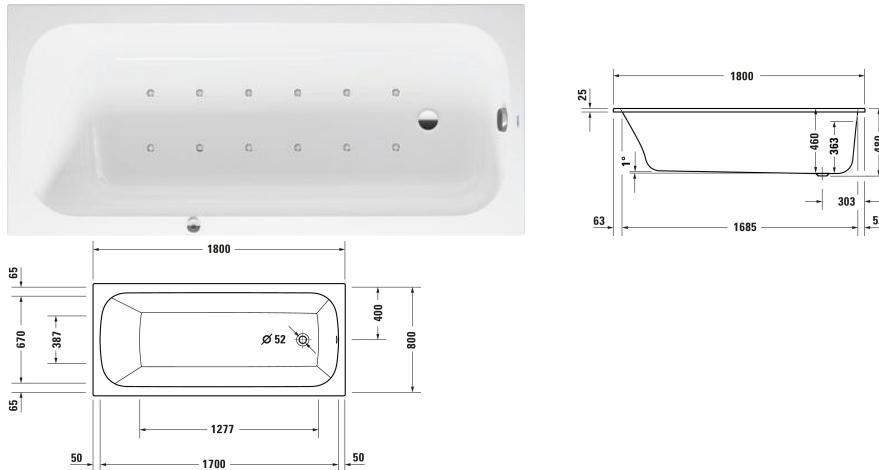


Whirltub	Dimension	Weight	Order number
1700x750 mm, Installation, White, Sanitary acrylic, Number of backrests: 1, Incl. support frame, Incl. waste and overflow, Capacity: 250 l			
<b>Colors</b>			
00 White Alpin			
<b>Variant</b>			
Air-System		36.500 kg	760612000AS0000
Combi-System E		56.500 kg	760612000CE1000
Jet-System		40.500 kg	760612000JS1000
<b>Suitable setting for Air-System</b>			
Waste and overflow with inlet Base inlet, Quadroval, Bowden cable length: 940 mm, Diameter waste plug: 52 mm	400 x 80 mm	1.7 kg	791227
<b>Suitable setting for Combi-System E</b>			
Tub heating	0 x 0 mm	1.5 kg	791882
Waste and overflow with inlet Tub filler, Quadroval, Bowden cable length: 750 mm, Diameter waste plug: 52 mm	400 x 80 mm	0 kg	791206
Bathtub anchors	100 x 30 mm	0.63 kg	790103
<b>Suitable products</b>			
Tile flange , 3300 x 4 mm	3300 x 4 mm		790126

All drawings contain the necessary measurements which are subject to standard tolerances. They are stated in mm and are non-binding. Exact measurements, in particular for customised installation scenarios, can only be taken from the finished piece.

**Whirltub # 760613000AS0000 / 760613000CE1000 / 760613000JS1000**

|< 1800 mm >|



Whirltub	Dimension	Weight	Order number
Rectangular, 1800x800 mm, Installation, White, Sanitary acrylic, Number of backrests: 1, Incl. support frame, Incl. waste and overflow, Capacity: 300 l			
<b>Colors</b>			
00 White Alpin			
<b>Variant</b>			
Air-System		38.000 kg	760613000AS0000
Combi-System E		58.000 kg	760613000CE1000
Jet-System		42.000 kg	760613000JS1000
<b>Suitable setting for Combi-System E</b>			
Tub heating	0 x 0 mm	1.5 kg	791882
Waste and overflow with inlet Tub filler, Quadroval, Bowden cable length: 750 mm, Diameter waste plug: 52 mm	400 x 80 mm	0 kg	791206
Waste and overflow with inlet Base inlet, Quadroval, Bowden cable length: 940 mm, Diameter waste plug: 52 mm	400 x 80 mm	1.7 kg	791227
Bathtub anchors	100 x 30 mm	0.63 kg	790103
<b>Suitable products</b>			
Tile flange , 3300 x 4 mm	3300 x 4 mm		790126

*All drawings contain the necessary measurements which are subject to standard tolerances. They are stated in mm and are non-binding. Exact measurements, in particular for customised installation scenarios, can only be taken from the finished piece.*