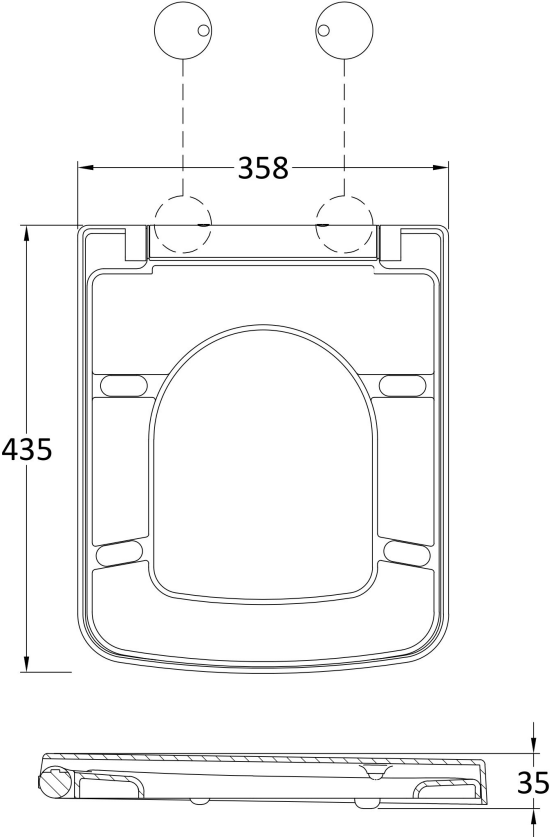
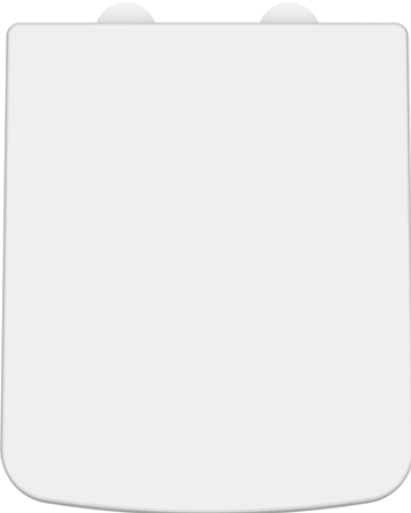


Sales Code: NCH198W

Description: Square Sc Seat, Qr, Top Fix, White Caps

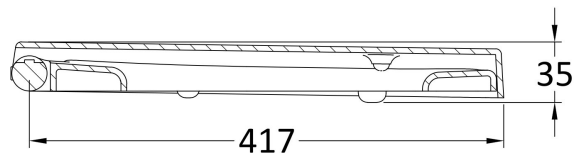
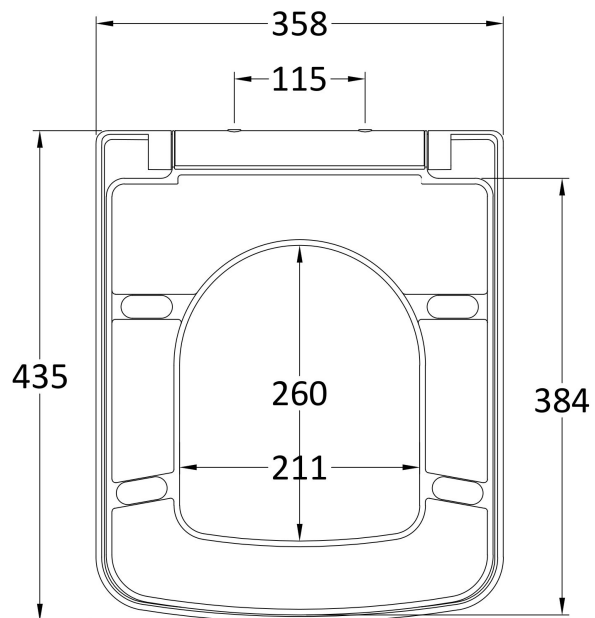
Packaging Details

Barcode: 5056678448250



Sales Code: NCH198

Description: Luxury Square Seat Sc, Qr, Top Fix



Product Dimensions

| | |
|-------------------|------|
| Length (mm): | 435 |
| Width (mm): | 358 |
| Height (mm): | 53 |
| Nett Weight (kg): | 2.12 |

Packaging Dimensions

| | |
|--------------------|------|
| Length (mm): | 460 |
| Width (mm): | 380 |
| Height (mm): | 60 |
| Gross Weight (kg): | 2.67 |

Packaging Data

| | |
|---------------|-------------------------------|
| Box Colour: | White Cardboard Box - Printed |
| Box Qty: | 1 |
| Label Size: | 100 x 50 |
| Label Colour: | Not Applicable |
| Label Qty: | |

Outer Box Dimensions (If Applicable)

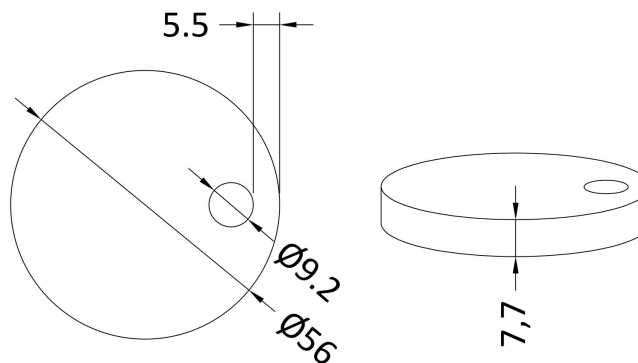
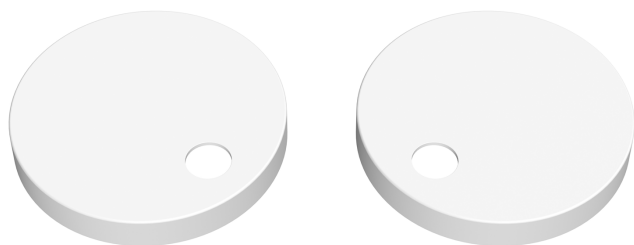
| | |
|--------------------|---------------|
| Length (mm): | 470 |
| Width (mm): | 280 |
| Height (mm): | 390 |
| Gross Weight (kg): | 14 |
| Barcode: | 5060272825744 |

Product Details

| | |
|----------------------|-----------------------|
| Country of Origin: | China |
| Fitting Instruction: | No |
| CE & UKCA: | Not Applicable |
| Product Material: | Urea |
| Seat Type: | D Shape |
| Seat Function: | Soft Close |
| Hinge Centres (Min): | 115 |
| Hinge Centres (Max): | |
| Hinge Material: | Stainless Steel Nylon |
| Colour/Finish: | White |
| Fixing Method: | Quick Release |

Sales Code: TSC101

Description: Toilet Seat Cover Caps White (Nch198)



Product Dimensions

| | |
|-------------------|------|
| Length (mm): | |
| Width (mm): | 70 |
| Height (mm): | 70 |
| Nett Weight (kg): | 0.01 |

Packaging Dimensions

| | |
|--------------------|------|
| Length (mm): | 50 |
| Width (mm): | 50 |
| Height (mm): | 80 |
| Gross Weight (kg): | 0.01 |

Packaging Data

| | |
|---------------|---------------------|
| Box Colour: | White Cardboard Box |
| Box Qty: | 1 |
| Label Size: | 100 x 50 |
| Label Colour: | White Label |
| Label Qty: | 1 |

Outer Box Dimensions (If Applicable)

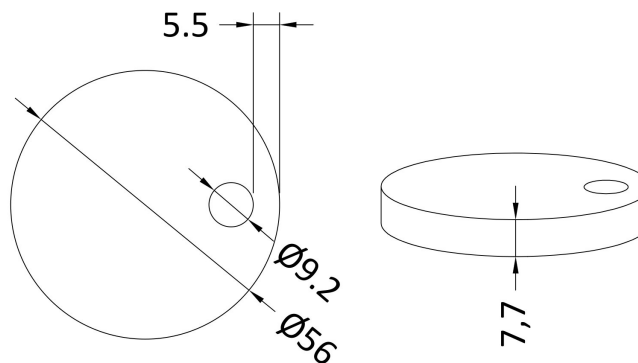
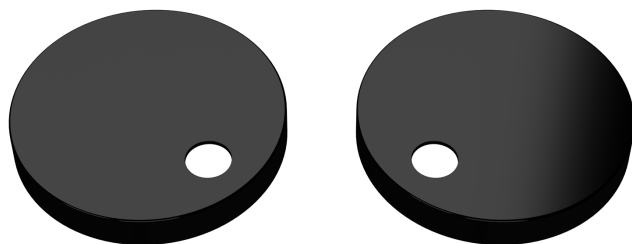
| | |
|--------------------|---------------|
| Length (mm): | |
| Width (mm): | |
| Height (mm): | |
| Gross Weight (kg): | |
| Barcode: | 5056678435397 |

Product Details

| | |
|----------------------|-------|
| Country of Origin: | China |
| Fitting Instruction: | No |
| CE & UKCA: | |
| Product Material: | |
| Seat Type: | |
| Seat Function: | |
| Hinge Centres (Min): | |
| Hinge Centres (Max): | |
| Hinge Material: | |
| Colour/Finish: | |
| Fixing Method: | |

Sales Code: TSC401

Description: Toilet Seat Cover Caps Black (Nch198)



Product Dimensions

| | |
|-------------------|------|
| Length (mm): | |
| Width (mm): | 70 |
| Height (mm): | 70 |
| Nett Weight (kg): | 0.01 |

Packaging Dimensions

| | |
|--------------------|------|
| Length (mm): | 50 |
| Width (mm): | 50 |
| Height (mm): | 80 |
| Gross Weight (kg): | 0.01 |

Packaging Data

| | |
|---------------|---------------------|
| Box Colour: | White Cardboard Box |
| Box Qty: | 1 |
| Label Size: | 100 x 50 |
| Label Colour: | White Label |
| Label Qty: | 1 |

Outer Box Dimensions (If Applicable)

| | |
|--------------------|---------------|
| Length (mm): | |
| Width (mm): | |
| Height (mm): | |
| Gross Weight (kg): | |
| Barcode: | 5056462618951 |

Product Details

| | |
|----------------------|-------|
| Country of Origin: | China |
| Fitting Instruction: | No |
| CE & UKCA: | |
| Product Material: | |
| Seat Type: | |
| Seat Function: | |
| Hinge Centres (Min): | |
| Hinge Centres (Max): | |
| Hinge Material: | |
| Colour/Finish: | |
| Fixing Method: | |