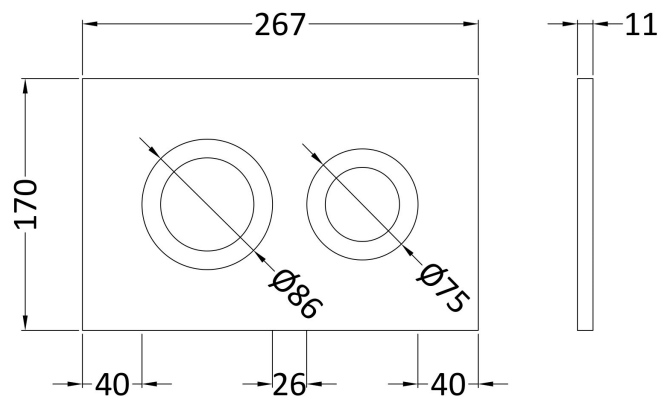
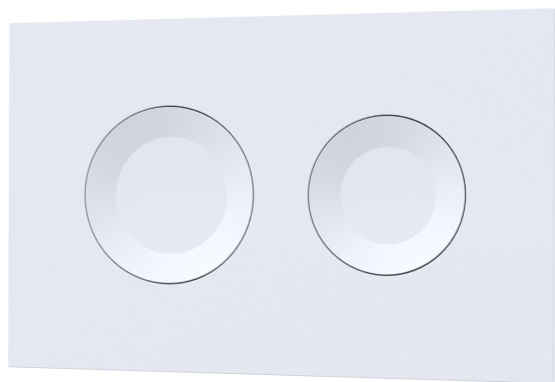


Sales Code: XTY009PR1

Description: Round Dual Flush Push Button White



Product Dimensions

| | |
|-------------------|-----|
| Length (mm): | |
| Width (mm): | 267 |
| Height (mm): | 170 |
| Depth (mm): | 11 |
| Nett Weight (kg): | 0.5 |

Packaging Dimensions

| | |
|--------------------|-----|
| Height (mm): | 290 |
| Width (mm): | 220 |
| Depth (mm): | 50 |
| Gross Weight (kg): | 0.5 |

Packaging Data

| | |
|---------------|---------------------|
| Box Colour: | Brown Cardboard Box |
| Box Qty: | 1 |
| Label Size: | 100 x 50 |
| Label Colour: | White Label |
| Label Qty: | 2 |

Outer Box Dimensions (If Applicable)

| | |
|--------------------|---------------|
| Height (mm): | |
| Width (mm): | |
| Length (mm): | |
| Depth (mm): | |
| Gross Weight (kg): | 0 |
| Barcode: | 5056678435496 |

Product Details

| | |
|--------------------------|----------------|
| Country of Origin: | China |
| Fitting Instruction: | No |
| CE & UKCA: | Yes |
| Product Material: | Ss |
| Heating Element Wattage: | Not Applicable |
| Colour/Finish: | White |
| Product Diameter: | Not Applicable |
| Connection Size: | |