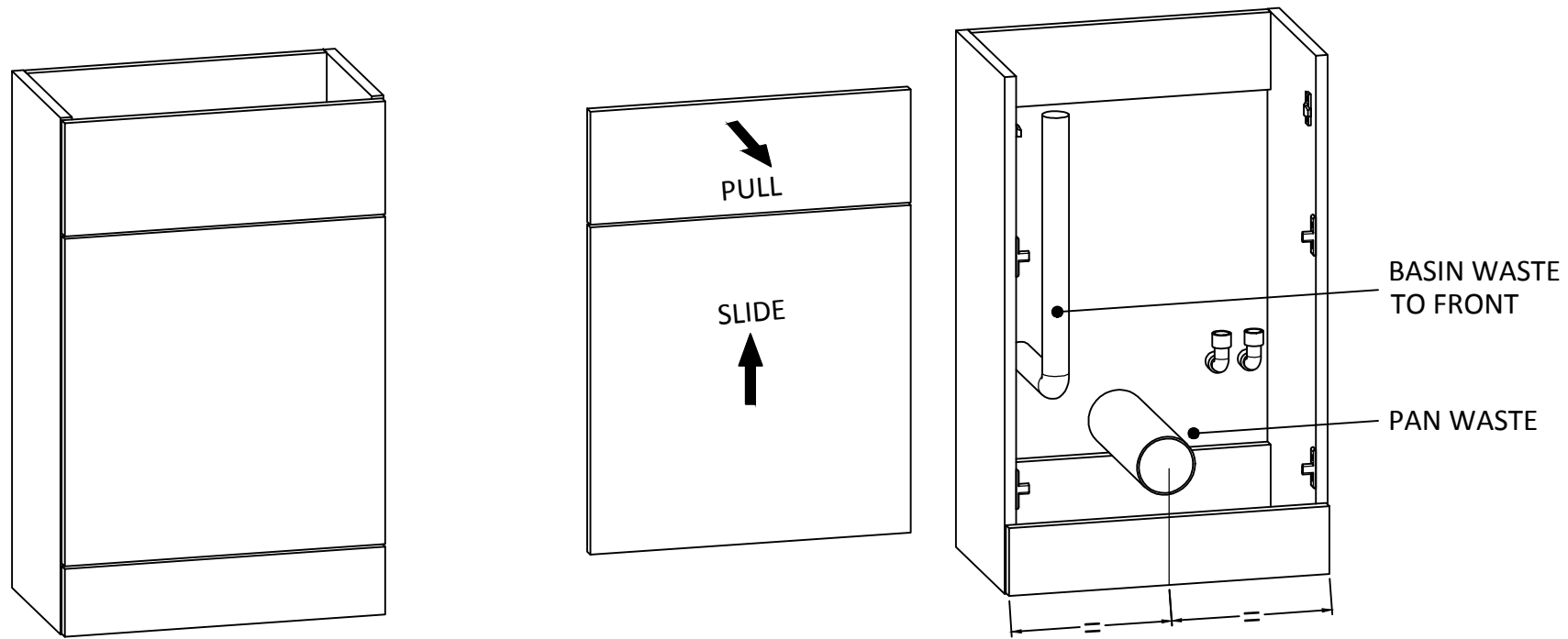
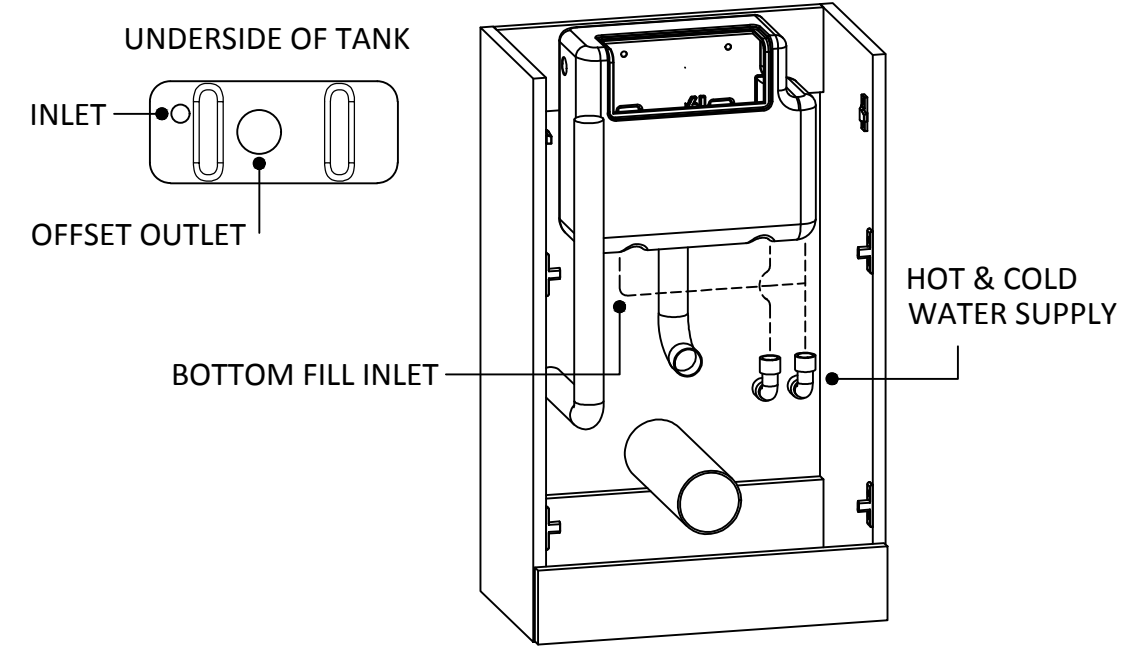


2 IN 1 W.C./BASIN UNIT FITTING INSTRUCTION

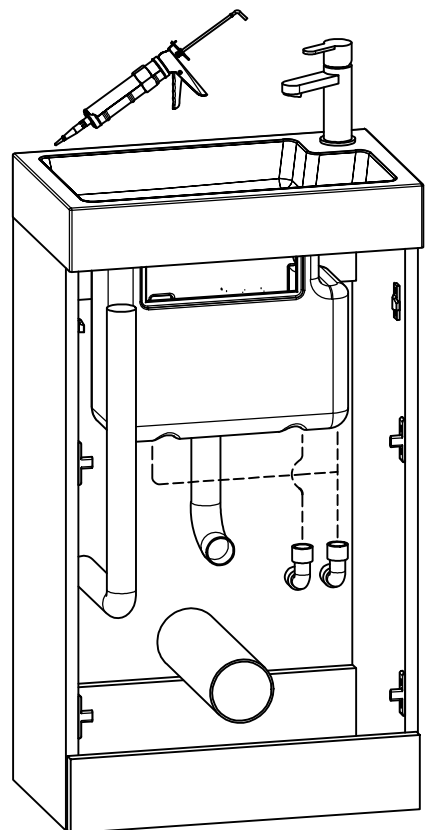
1. REMOVE FRONT PANELS AND FIT SERVICES.



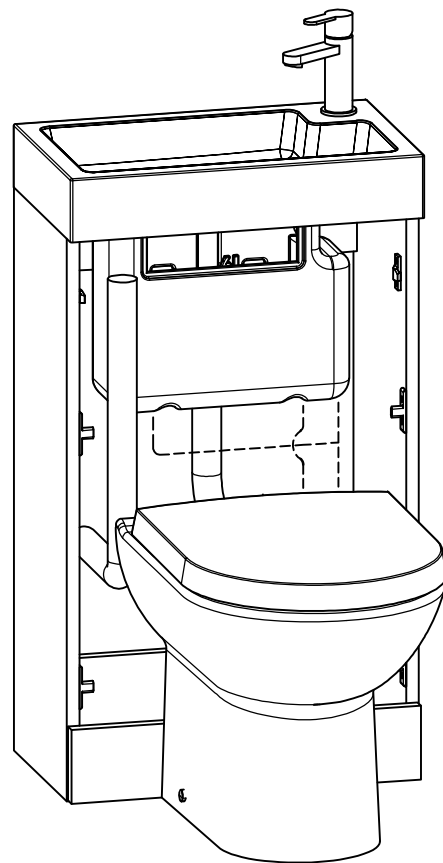
2. FIT TANK LEVEL WITH TOP OF UNIT.
ENSURE TANK BOTTOM OUTLET IS CENTRAL IN THE UNIT.



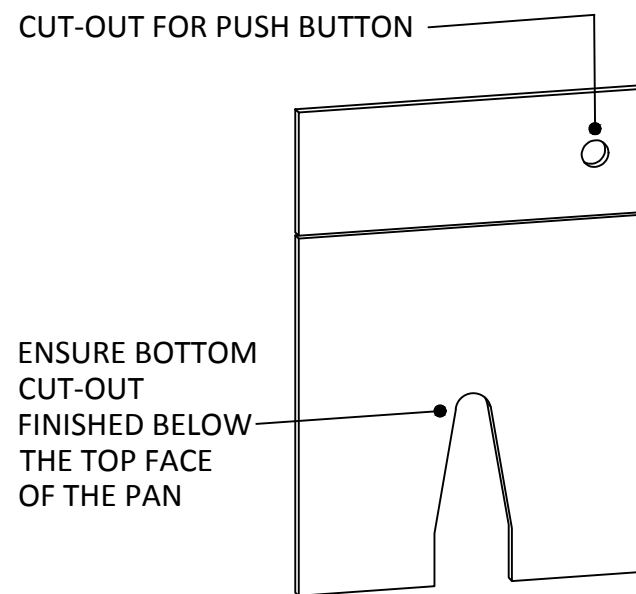
3. FIT BASIN AND PLUMB. SILICONE BASIN ALONG TILE LINE.



4. FIT PAN USING PAN FIXING KIT ONLY.



5. CUT-OUT TOP & BOTTOM PANELS TO SUIT.



6. REFIT PANELS, CONNECTING FLUSH AND THEN SEAL WHERE REQUIRED.

