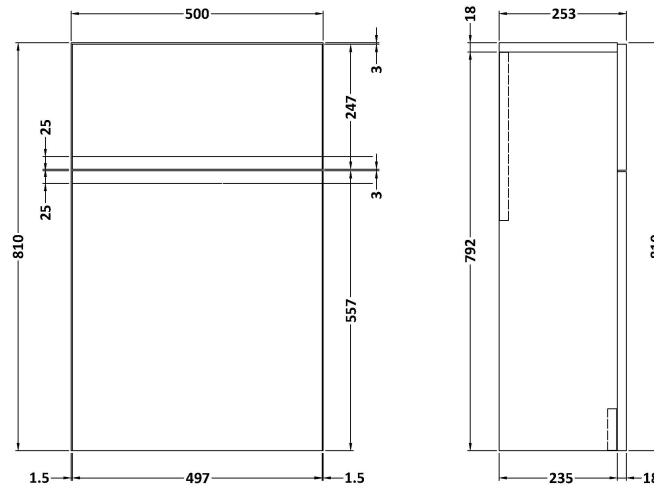


Sales Code: URB141

Description: 500 Wc Unit



Product Dimensions

| | |
|-------------------|------|
| Height (mm): | 810 |
| Width (mm): | 500 |
| Depth (mm): | 253 |
| Nett Weight (kg): | 17.8 |

Packaging Dimensions

| | |
|--------------------|------|
| Height (mm): | 850 |
| Width (mm): | 520 |
| Depth (mm): | 200 |
| Gross Weight (kg): | 18.3 |

Packaging Data

| | |
|---------------|---------------------|
| Box Colour: | Brown Cardboard Box |
| Box Qty: | 1 |
| Label Size: | 100 x 50 |
| Label Colour: | White Label |
| Label Qty: | 2 |

Outer Box Dimensions (If Applicable)

| | |
|--------------------|---------------|
| Height (mm): | |
| Width (mm): | |
| Depth (mm): | |
| Gross Weight (kg): | |
| Barcode: | 5056211890546 |

Product Details

| | |
|--------------------------|------------------|
| Country of Origin: | China |
| Fitting Instruction: | No |
| CE & UKCA: | N/A |
| FSC Certified Materials: | Yes |
| Colour: | Satin White |
| Construction Method: | Cam & Wood Dowel |
| Construction Type: | Rigid |
| Cabinet Finish: | MFC Painted Matt |
| Fascia Finish: | Mdf Painted Matt |
| Cabinet Thickness (mm): | 18 |
| Fascia Thickness (mm): | 18 |
| Drawer Included: | No |
| Drawer Type: | Not Applicable |
| No of Shelves: | 0 |
| Hinge Type: | Not Applicable |
| Hinge Included: | No |
| Adjustable Legs: | No |
| Fixings Included: | Yes |
| Handle Style: | Not Applicable |
| Waste Shroud: | No |
| Handle Included: | No |
| Handle Type: | Not Applicable |