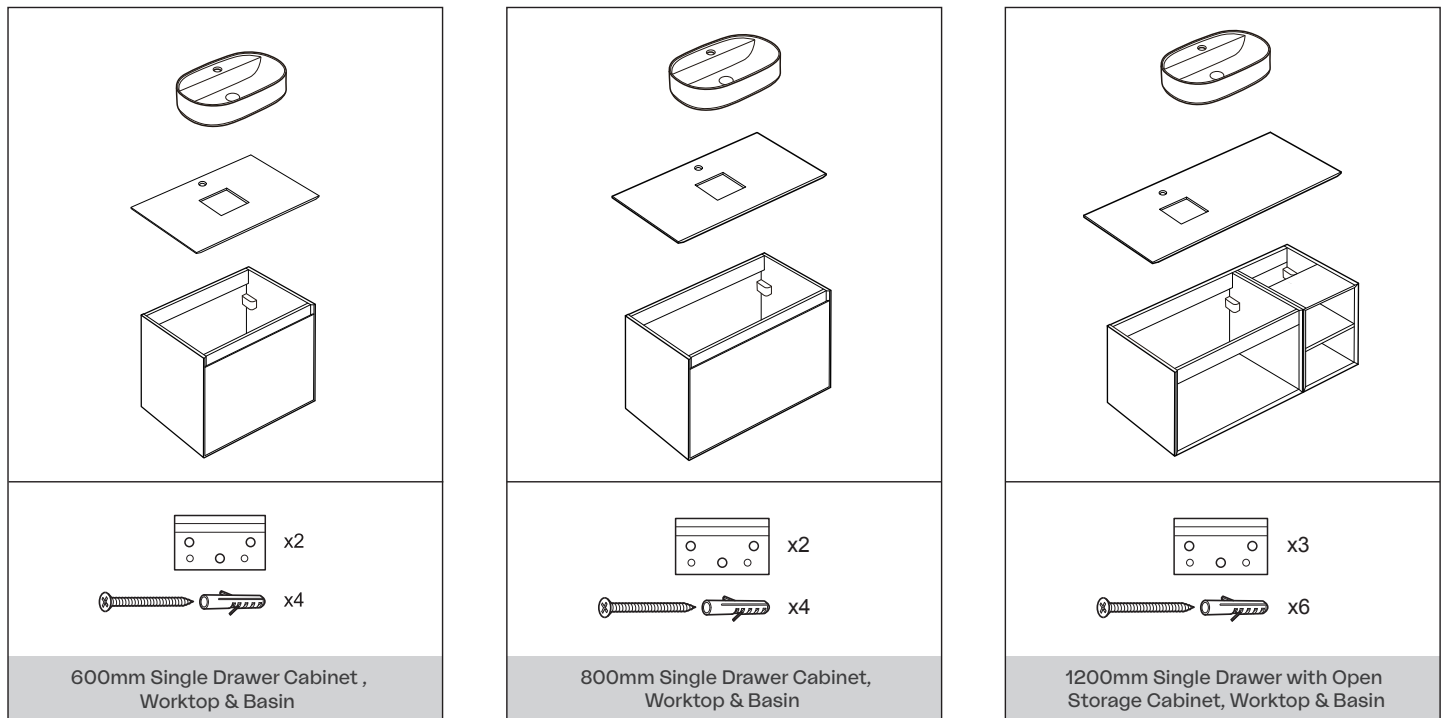


# BATHROOM FURNITURE RANGE — ESSENCE



**Tools & equipment needed:** Drill, 8mm Suitable drill bit, Phillips screwdriver, Spirit level, Ruler/tape measure, Pencil, Silicone sealant (clear).

## ⚠ IMPORTANT - Advice and safety - Please read before installation

Please read these instructions carefully before starting installation and keep in a safe place for future reference. ENSURE the room is well heated and ventilated.

Check the contents of the pack carefully before installation. Imex will not be held responsible for any de-fit / re-fit costs where faulty product has been fitted.

If any fault is found with materials or workmanship, it must be reported immediately to the manufacturer. Remedial action will be taken, based on information received, on condition that:

1. Full details are supplied to the manufacturer;
2. The product has not been modified or tampered with;
3. The manufacturer is informed of any damage/shortages prior to installation.
4. The product has not been installed, or attempts have been made to install.

We do not accept responsibility for any problems that may occur through incorrect installation.

### ⚠ Advice & Safety

This product should only be installed by a suitably qualified Plumber/installer. Should the installation be completed by a non-qualified person any product guarantee maybe considered invalid. For a claim made under our warranty written certification of your installers qualifications can be required.

It is advised that all drawers are removed prior to fitting to avoid unnecessary damage occurring.

It is recommended that the furniture and accessories are installed after tiling, ensuring that the product is installed flat to the tile face and allows product to be easily removed if required in the future.

This document has been prepared for your guidance, you must exercise due care at all times.

Please note that some units are heavy. Always take care when lifting, and follow health and safety guidelines. It is recommended that 2 people carry out the installation of larger basin/worktop/cabinet units.

**Warning!** Please check for any hidden pipes or electrical cables before drilling holes in the floor or walls.

When using power tools always follow the manufacturer's user instructions.

This installation guide details fitting to a solid wall. If your bathroom has studded/plasterboard walls, please use appropriate plasterboard fixings. Please ensure the wall can take weight of units detailed above. Before installing a wooden bathroom cabinet into a new property, extension or recently plastered room we strongly advise the building/room is completely dry, well ventilated and adequately heated.

### Care & Cleaning

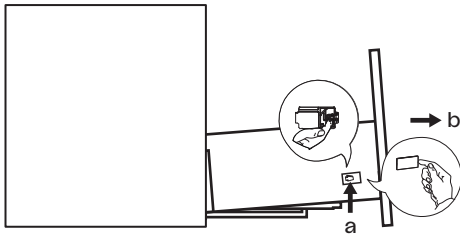
In order to keep your furniture looking as good as new please ensure no standing water is left on wooden areas, they will absorb water if excessive water is continually applied to the surface, this will cause damage to the cabinet and will not be covered by our guarantee. You must remove any excess water with immediate effect and keep your furniture as dry as possible at all times, our products are made using the very best materials to avoid as much as possible water ingress but please avoid excessive saturation.

# INSTALLATION INSTRUCTIONS

## Step 1

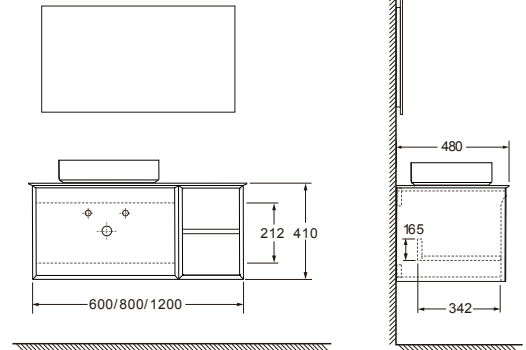
### Remove the drawer before installation

- a: Take off the lid.
- b: Lift up the anti-falling device, and pull the drawer fully out at the same time.



## Step 2

- ### Plan cabinet position
- Decide on the position and height of the cabinet.

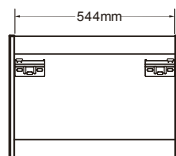


## Step 3

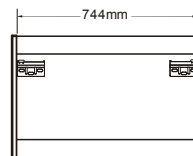
### 'Wall bracket' installation

Use the measurements given, to position the 'wall brackets'.

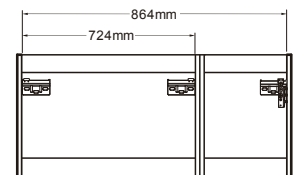
600mm Cabinet



800mm Cabinet



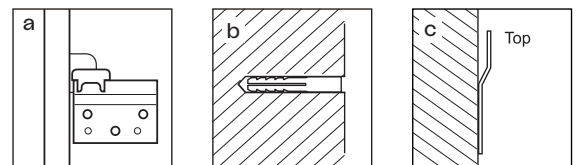
1200mm Cabinet



**a: Important:** The measurements given are the maximum the brackets can be spaced apart, the brackets must fit within that measurement.

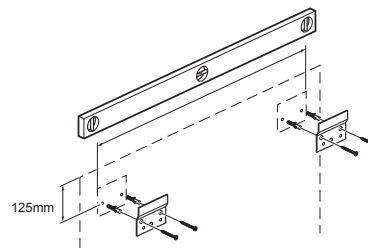
**b:** Mark the bracket fixing holes onto the wall. Drill 8mm holes, insert the wall plugs on solid walls.

**c:** Attach the brackets.



**Important:** If the cabinet, worktop and/or basin are not fitted level this may result in the basin not draining correctly.

Position the cabinet on the brackets.



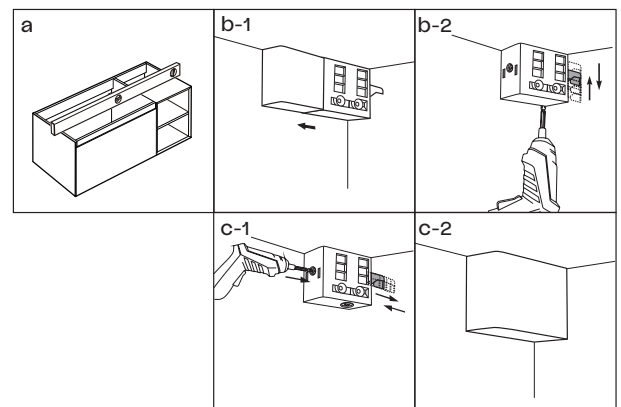
## Step 4

**a:** Check the cabinet is level.

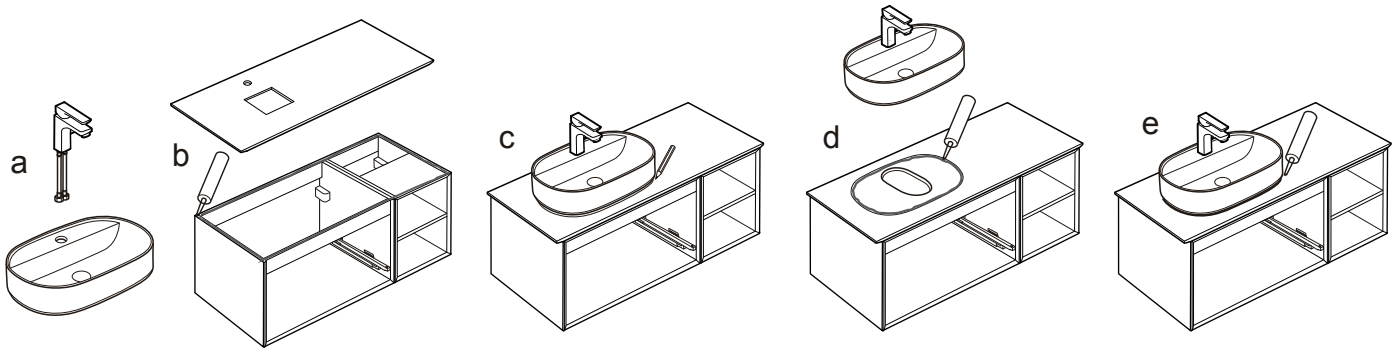
If levelling is required, use a screwdriver to adjust the hanging position.

**b:** Take the cover off. To lift or lower the cabinet, adjust the screw shown.

**c:** To move the cabinet closer or further from the wall, adjust the screw shown. Put the cover on.



## Step 5



- a:** Attach the tap (not supplied) to basin and carefully bed in the waste (not supplied) using silicone **only**.
- b:** Run a thin beading of silicone sealant along all contact areas of the cabinet and fit the worktop onto the cabinet.
- c:** Draw the positioning line of the basin on the worktop.
- d:** Remove the basin and run a thin beading of silicone sealant along the positioning line.
- e:** Seal around the basin and wall to create a water tight seal.

**Note:** Basin waste and tap fittings when over tightened can create stress within the basin material which may in time cause the failure of the product. Waste fittings should be carefully bedded in silicone and the back nut hand tightened an additional quarter

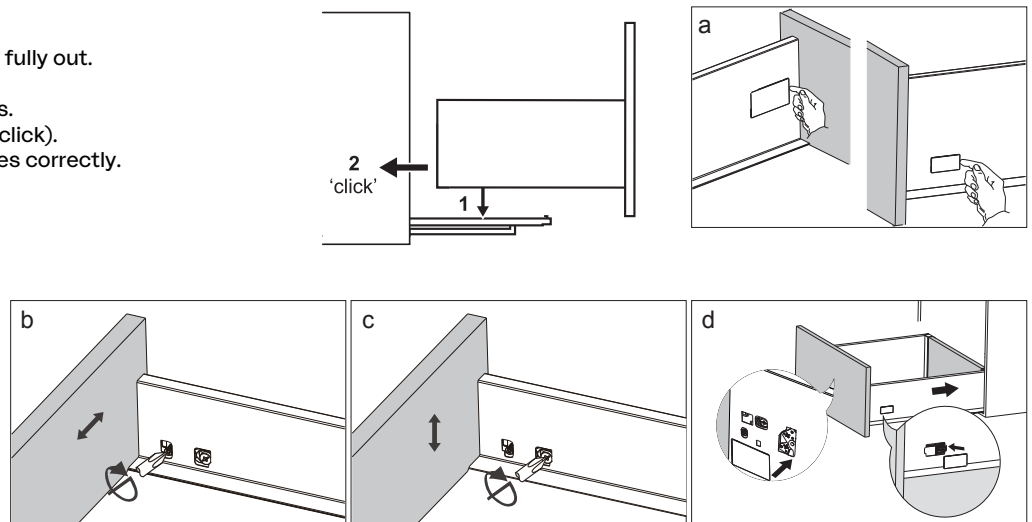
turn using a suitable spanner is sufficient to create the required watertight seal. Care should also be taken when fitting brassware to tap platforms in order to prevent similar stress related failures.

## Step 6

**Re-fit drawer:** Pull both drawer runners fully out.

- 1: Set the drawer down onto the runners.
- 2: Push the drawer fully in until it locks(click).
- 3: Test to make sure the drawer operates correctly.

- a: Take off the lid.
- b: Adjust the drawer panel left and right.
- c: Adjust the drawer panel up and down.
- d: Put on the lid and close the drawer to the cabinet.



### Important information

All ceramic sanitary ware is subject to the limitations of the manufacturing process. Unlike machine finished products, natural clay based products shrink and move during high temperature firing and, because it is not possible to control this process absolutely, minor variations in the dimensional tolerance, form and surface of the finished products will occur.

Before installing a wooden bathroom into a new property, extension or recently plastered room we strongly advise the building/room is completely dry, well ventilated and adequately heated.



For any further information please contact

IMEX UK on: **01530-835 598**

Or visit our web-site at:

[www.imexceramic.co.uk](http://www.imexceramic.co.uk)

The manufacturer reserves the right to make technical modifications without prior notice.