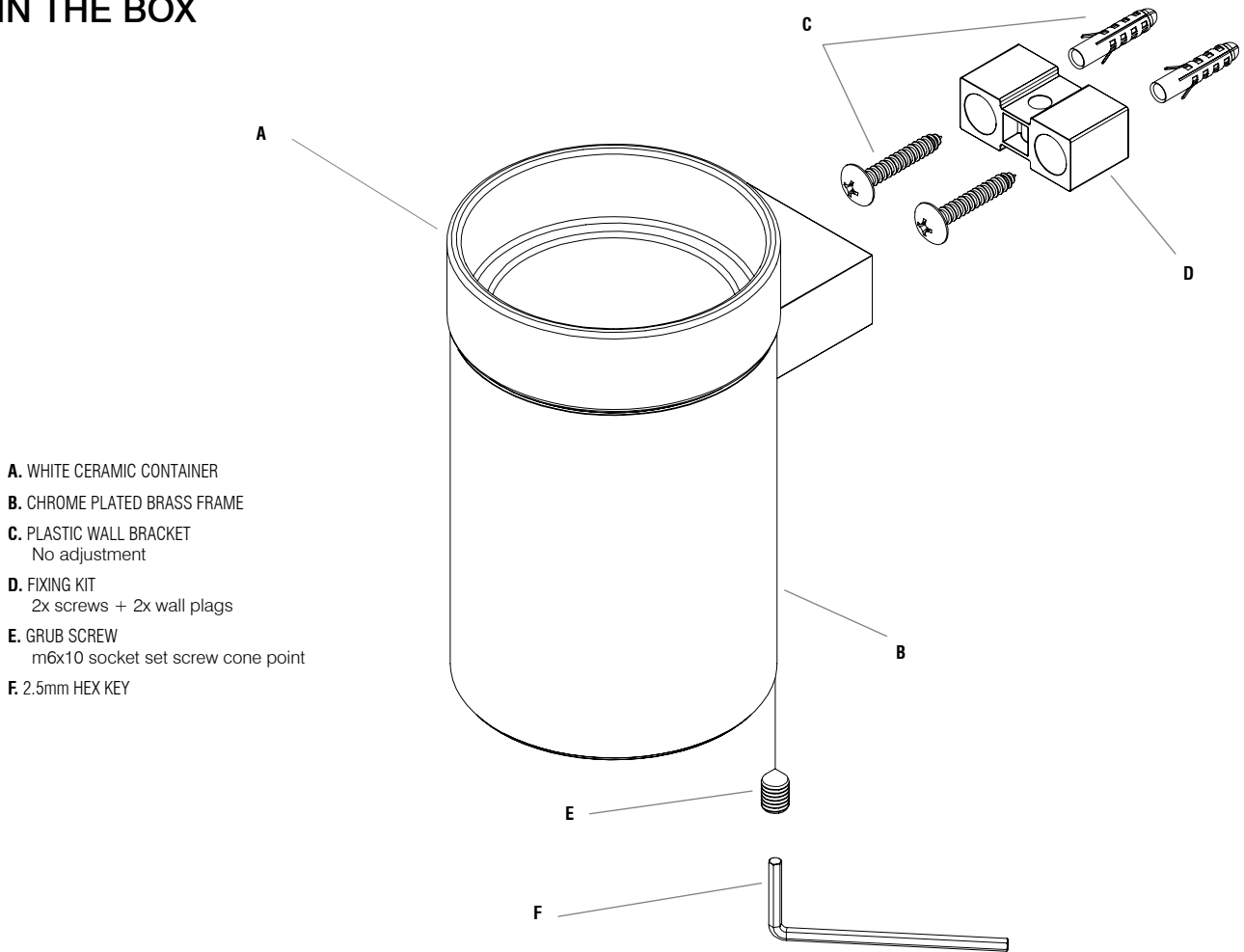


1. IN THE BOX



- A.** WHITE CERAMIC CONTAINER
- B.** CHROME PLATED BRASS FRAME
- C.** PLASTIC WALL BRACKET
No adjustment
- D.** FIXING KIT
2x screws + 2x wall plugs
- E.** GRUB SCREW
m6x10 socket set screw cone point
- F.** 2.5mm HEX KEY

NO.	DESCRIPTION	PRODUCT CODE	FIXINGS INCLUDED?	GROSS WEIGHT	NET WEIGHT
1	IDOL TOOTHBRUSH HOLDER	4116.02	Yes	0.45kg	0.45kg

DIMENSIONS

DIAGRAMS NOT TO SCALE
ALL DIMENSIONS IN MM
TOLERANCE OF ± 5MM
(OVERALL DIMENSIONS)

