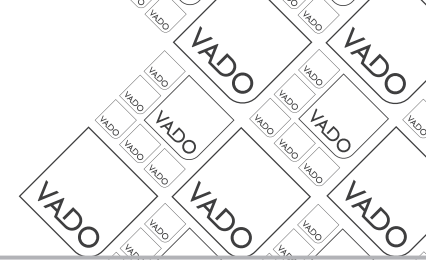




where inspiration flows

# CAMEO

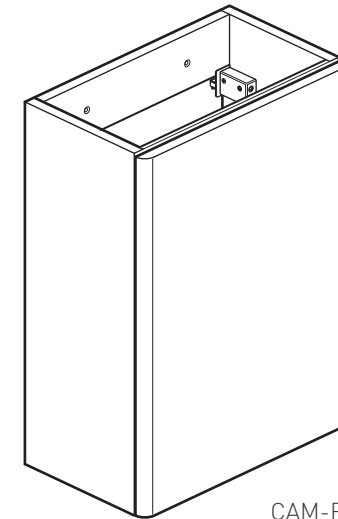
Installation Guide  
Cloakroom Vanity Unit



This instruction booklet covers these models:

CAM-F400WH  
(All finish options)

CAM-F400WH



CAM-F400WH

Vado  
Wedmore Road, Cheddar, Somerset, England BS27 3EB  
tel 01934 744466. fax 01934 744345  
aftersales@vado.com  
www.vado.com



## Important - Please Read

**VADO** reserves the right to make technical improvements and enhance the appearance of the products included in this instruction manual.

Please read these instructions carefully before starting the installation and keep for future reference.

Remove all packaging and check the product for missing parts or damage before starting installation.

Any unadvised alterations made to this product will invalidate the guarantee.

Please take great care when installing this product to avoid damage to its surface.

This installation guide details fitting to a solid wall.

Please note that some units are heavy. Take care when lifting, and follow health and safety guidelines. It is recommended that 2 people carry out the installation of larger basin/vanity units over 30Kgs gross weight.

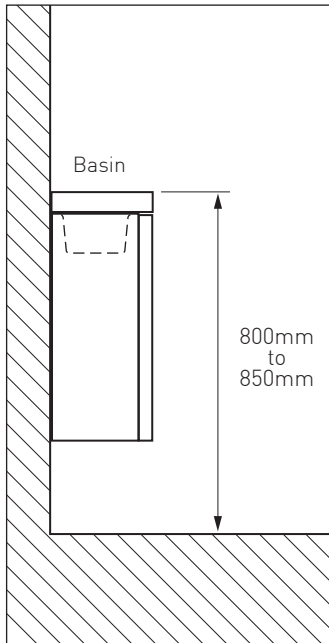
Check for any hidden pipes or electrical cables before drilling holes in the wall.

When deciding where to install the vanity consider the potential overhang.

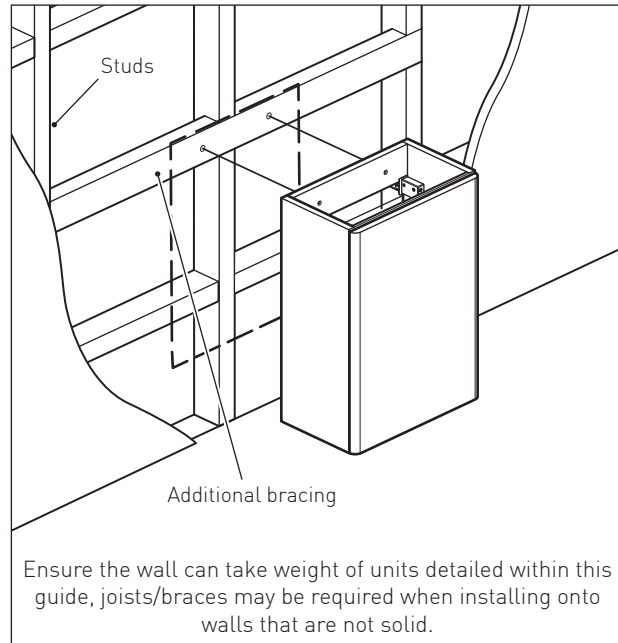
## Important - Preparation

**We recommend installing these vanities onto solid walls.**

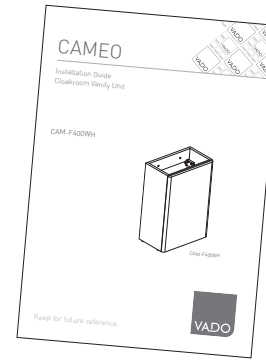
**Recommended installation heights**



**For installations onto non solid walls, consult the diagram below.**

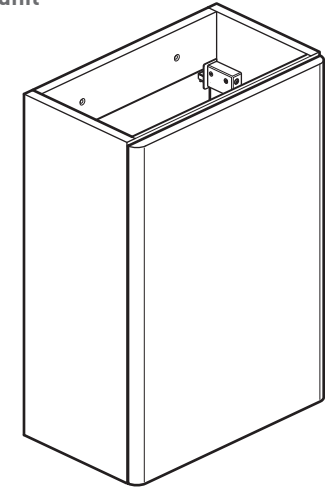


## Contents of Packaging



**Installation guide**

**Vanity unit**



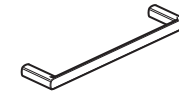
### HANDLE OPTIONS



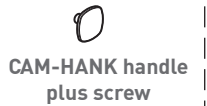
**CAM-HAN4L handle plus screws**



**CAM-HAN4R handle plus screws**

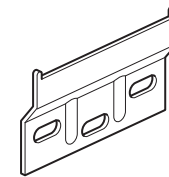


**CAM-HANB handle plus screws**



**CAM-HANK handle plus screw**

### FIXING KIT



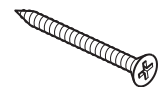
**Wall brackets x 2**



**Hinge screws x 4**

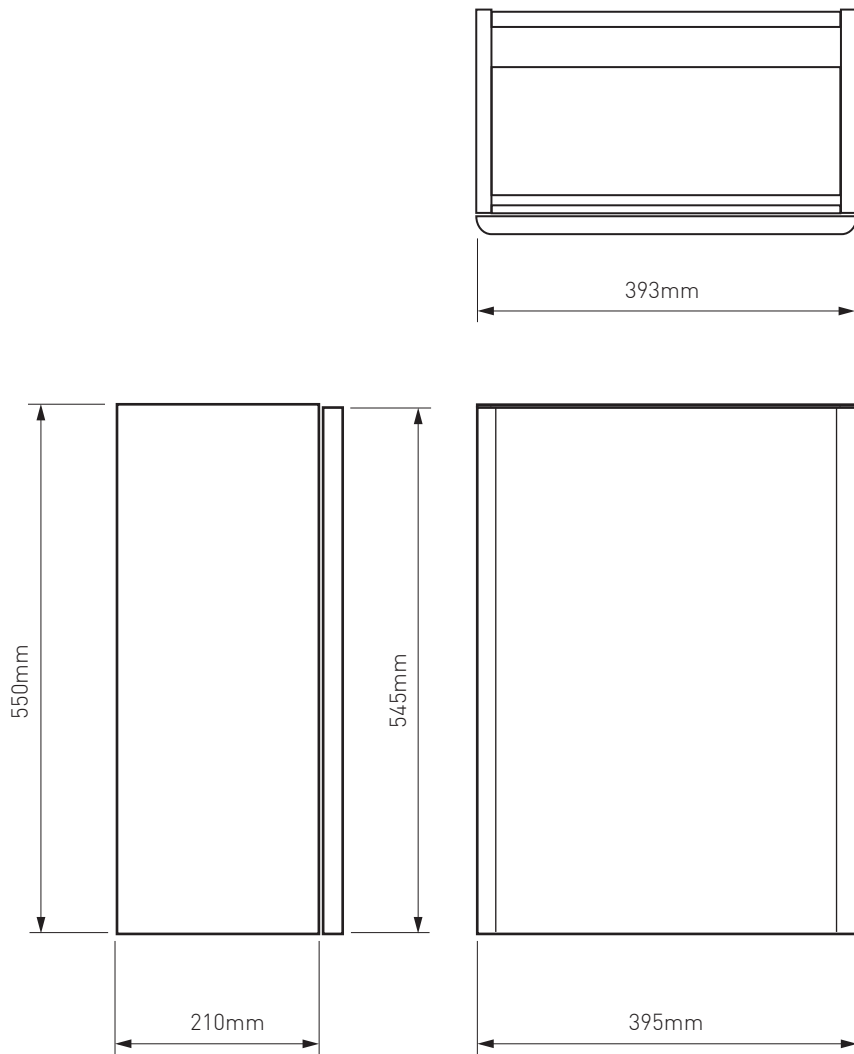


**Wall plugs x 6**

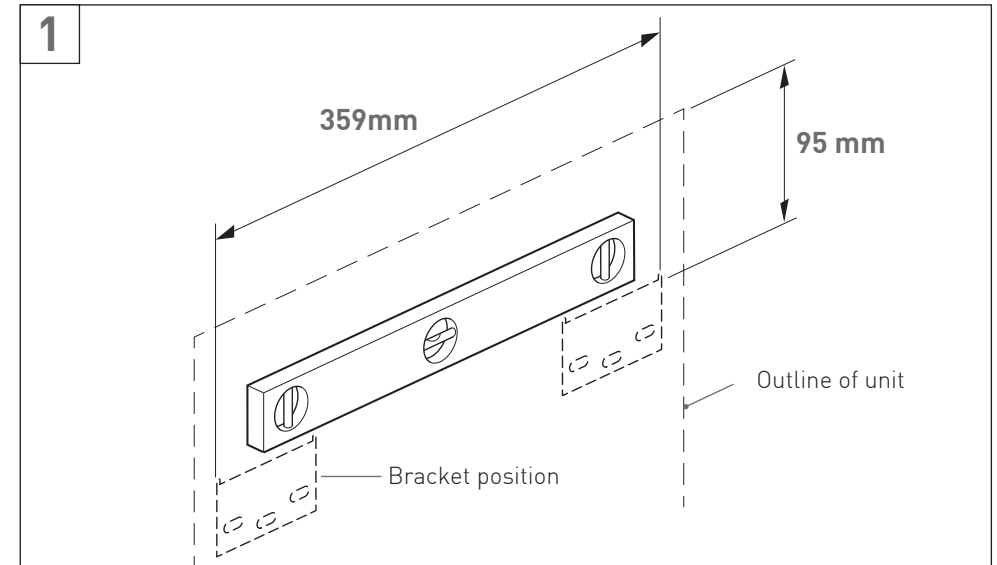


**Screws x 6**

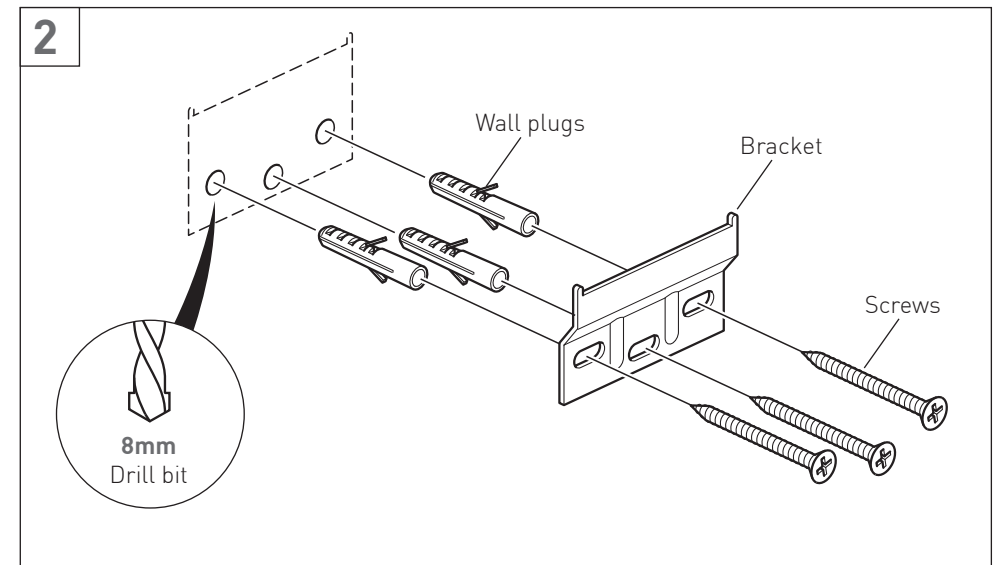
# Dimensions - CAM-F400WH



# Installation

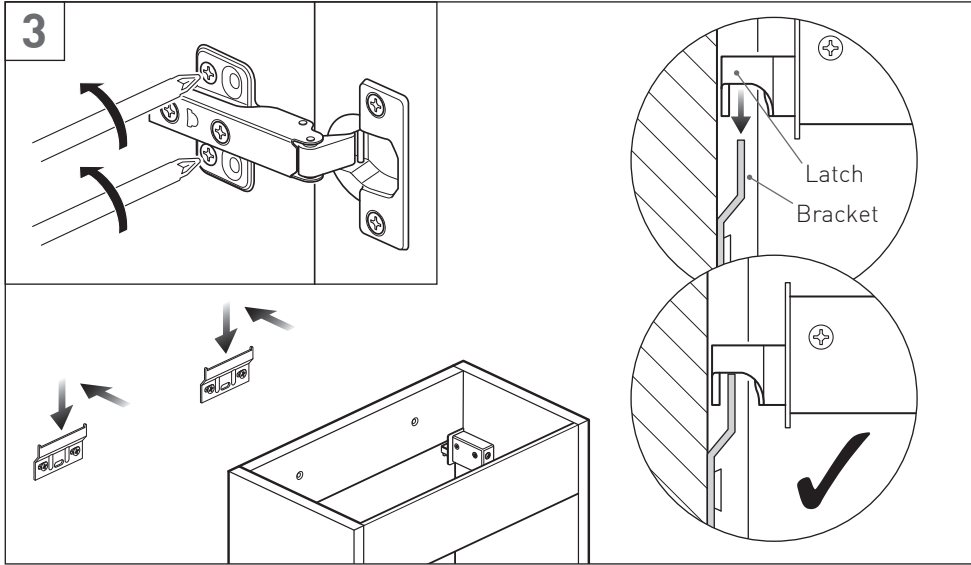


Decide on the position and height of the unit. The recommended basin height is between 800 and 850mm from floor to top of basin. Mark the bracket fixing holes onto the wall. **NOTE:** The dimensions are for the maximum width over the brackets.

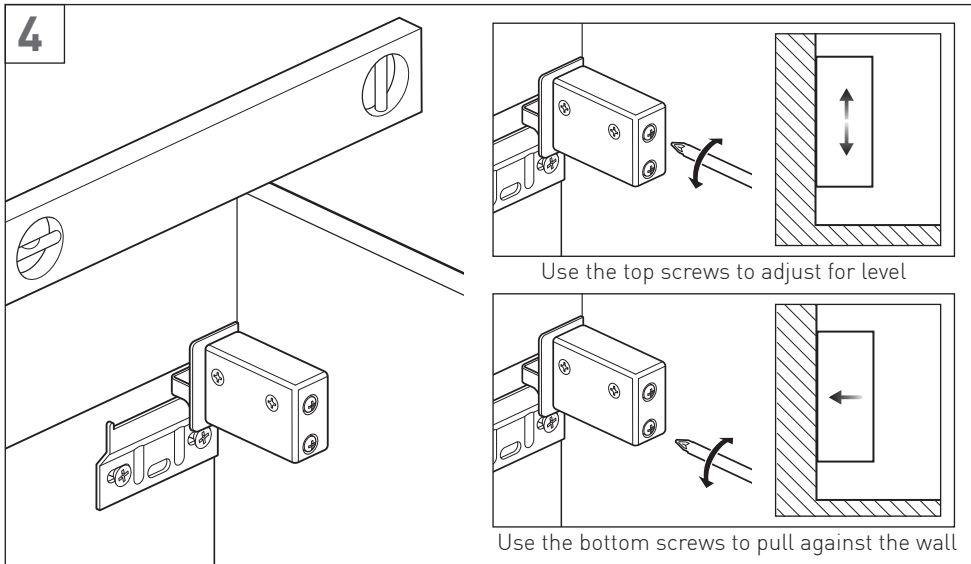


Drill  $\varnothing$  8mm holes, insert the wall plugs and screw on the brackets. **NOTE:** If the vanity unit and/or basin are not fitted level this may prevent the basin from draining correctly.

## Installation

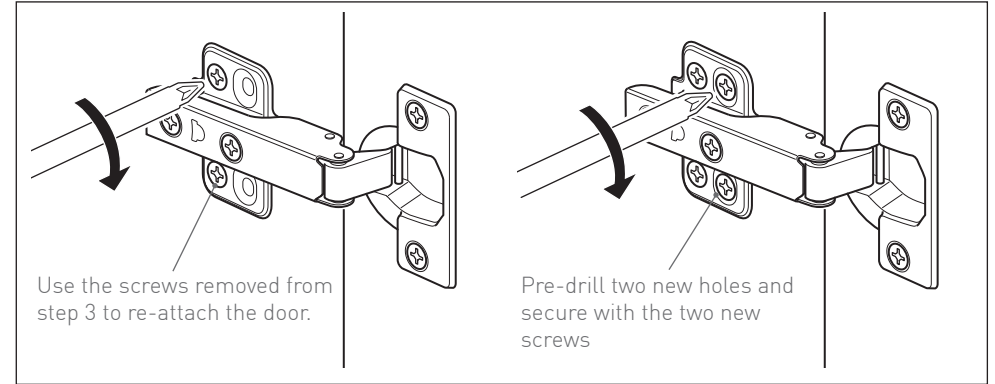


Remove the door of the vanity by unscrewing the hinges. With two people lift the unit over and onto the brackets, make sure that both latches are over the brackets before releasing the unit.



Check the unit is level. If leveling is required, use the top screw on both sides to lower or lift the unit. Once level, use the bottom screws on the hangers to clamp the unit to the wall.

## Installation door and adjustment



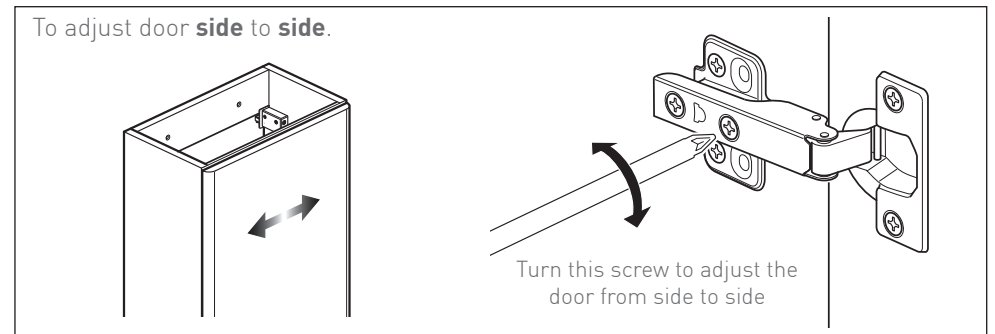
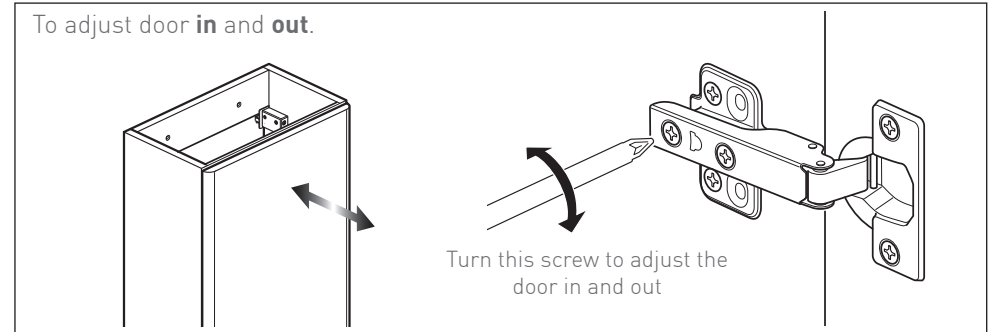
### Reattach the door.

**It can either open to the left or the right based on your preference or handle type.**

Use the 4 screws taken off in step 3 as well as the 4 remaining screws to attach the hinges and door on your desired side. For the 2 screws on each hinge without pre-drilled holes, mark the holes, drill pilot holes and screw them in.

**(Don't drill through the door)**

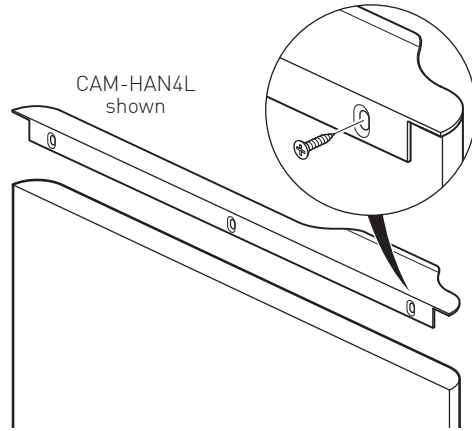
### Door adjustment



## Installation - door handle

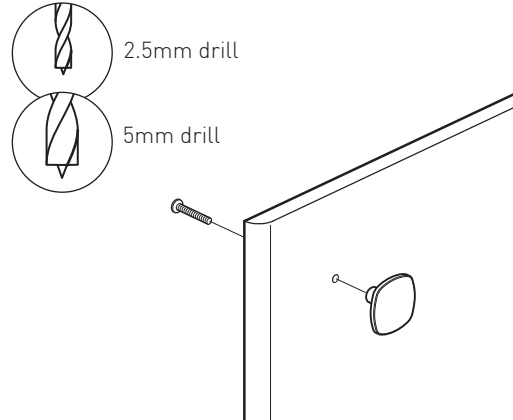
### CAM-HAN4R and CAM-HAN4L handles

For CAM-HAN4R the door hinge should be on the left side of the unit.  
For CAM-HAN4L the door hinge should be on the right side of the unit.  
Line up the handle on the drawer making sure the edges are flush with the top of the drawer, mark the holes.  
Drill pilot holes and screw on the handle using the screws provided.



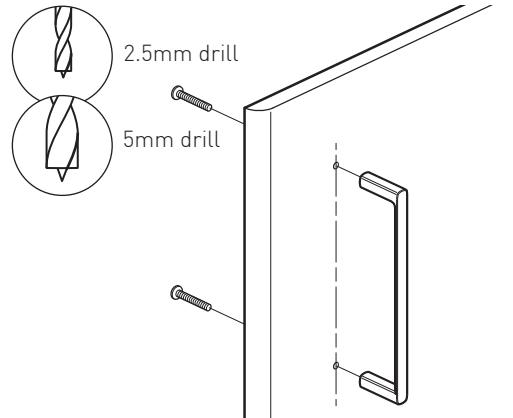
### CAM-HANK handle

Decide a position in the top corner on the **opposite side to the door hinge**.  
Mark a starter hole through the front face using 2.5mm drill bit. Drill again using a 5mm drill bit. Attach the handle using the shorter (30mm) screw provided.



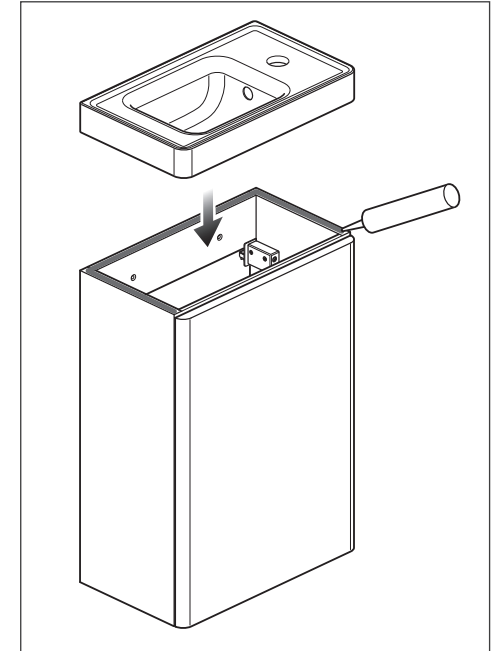
### CAM-HANB handle

Decide a position in the top corner on the **opposite side to the door hinge**.  
Position the handle vertically and mark the screw points and drill a starter hole through the front face using 2.5mm drill bit. Drill again using a 5mm drill bit. Attach the handle using the shorter (30mm) screw provided.

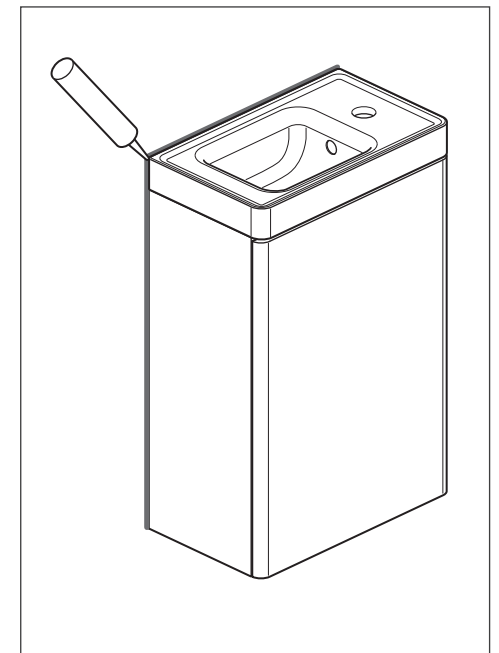


## Installation- Basin

Apply silicone non-acidic to the side and front edges of the unit. Carefully position the basin down onto the unit ensuring that it is centrally positioned and flush at the back.



Apply a bead of silicone along the back and sides of the basin.  
Allow to set fully.



## Cleaning Instructions

The coating on this product is finished to the highest standard. Due care needs to be taken to ensure the appearance is retained.

We recommend cleaning all products with a soft damp cloth ONLY and advise strongly against the use of all aggressive/corrosive cleaning products i.e. powders and liquids. If these instructions are not followed, this may invalidate your guarantee in the event of a problem occurring.

**⚠ Note:** Bathroom furniture will deteriorate through extended exposure to elevated levels of condensation. To mitigate this, it is imperative that bathrooms are equipped with an appropriate ventilation system, such as an extractor fan.

## Guarantee

This VADO vanity unit comes with a 2 year guarantee as standard. Within this guarantee period, VADO will provide replacement parts and any labour **[SEE NOTE 1]** needed to complete the product repair. This standard guarantee may be extended by registering your product on our website at: <https://www.vado.com/support/guarantee>. Once registered this vanity unit will have a 5 year guarantee (2 years parts and labour plus 3 years parts only) **[SEE NOTE 2]**.

### Guarantee Conditions

Our products are guaranteed against manufacturing defects from the date of purchase until the expiry of the relevant guarantee period shown above.

The guarantee is only valid if:

- The product has been installed, used and maintained in accordance with VADO's instructions and subjected to normal use only.
- The defect is not due to accident, misuse, neglect, or incorrect/inappropriate repair (other than by VADO or VADO authorised agents) or damage caused by foreign objects or substances.
- The extended guarantee is only available if you have completed the guarantee registration process.

This can be done via the VADO website or via telephone to our Aftersales team.

Registration must be completed within 6 months from the date of purchase. Under the extended guarantee period VADO will, at its option, offer to supply any replacement product (or component part) assessed to be defective [SEE NOTE 3].

- The guarantee (whether standard or extended) is non-transferable to any subsequent owner.
- Mould, Mildew build up, the effects of limescale and corrosion are not covered under this guarantee.
- This guarantee does not cover damage and/or malfunction caused by inappropriate cleaning (please refer to our recommended care and maintenance guidelines).
- Damage to VADO furniture caused by standing water or inadequate room ventilation is not covered under this guarantee.

All claims under the guarantee should be notified in the first instance to our Aftersales department, contact details below, this must be done no later than the last day of the relevant guarantee period.

All claims must be accompanied by proof of purchase (sales receipt or delivery note) from an official VADO dealer.

The guarantee does not extend to any consequential loss or damage.

After repair or replacement, the relevant guarantee period will be calculated from the original date of purchase.

VADO operates a policy of continuous product development and therefore reserves the right to change the product, packaging and documentation specifications without notice.

In situations where like-for-like replacements are not possible, VADO will endeavour to provide the closest alternative. E&OE.

### NOTES:

**[1]** Labour via our engineer network is only available in the UK. Attendance by a VADO engineer or sub-contract engineer will be under our standard terms and conditions.

**[2]** Excludes any electrical components.

**[3]** VADO reserves the right to charge in advance for a product (or replacement part) pending collection and investigation (at VADO expense) to confirm a defect is due to a manufacturing issue.

If a defect is found the charge will be refunded or cancelled.

This guarantee is in addition to and does not affect your statutory rights as a consumer.

Tel: 01934 745163

Email: [aftersales@vado.com](mailto:aftersales@vado.com)