

APL BF C

APPEAL Tap Range Appeal Bath Filler Chrome



Features:

- Long life 1/4 turn ceramic disc valves for added durability and smooth control.
- Robust metal fixing nut to secure the tap in place reducing the risk of loosening over time.
- A hard-wearing, flawless, scratch resistant chrome finish that lasts for years. Salt spray tested to ensure added durability.
- 10-year parts and 1 year labour guarantee for peace of mind.
- Also available in black and brushed brass.
- Co-ordinating Bathroom taps available

Product Certifications:



WRAS Certificate No: 2309905
WRAS Expiry Date: 30/09/2028

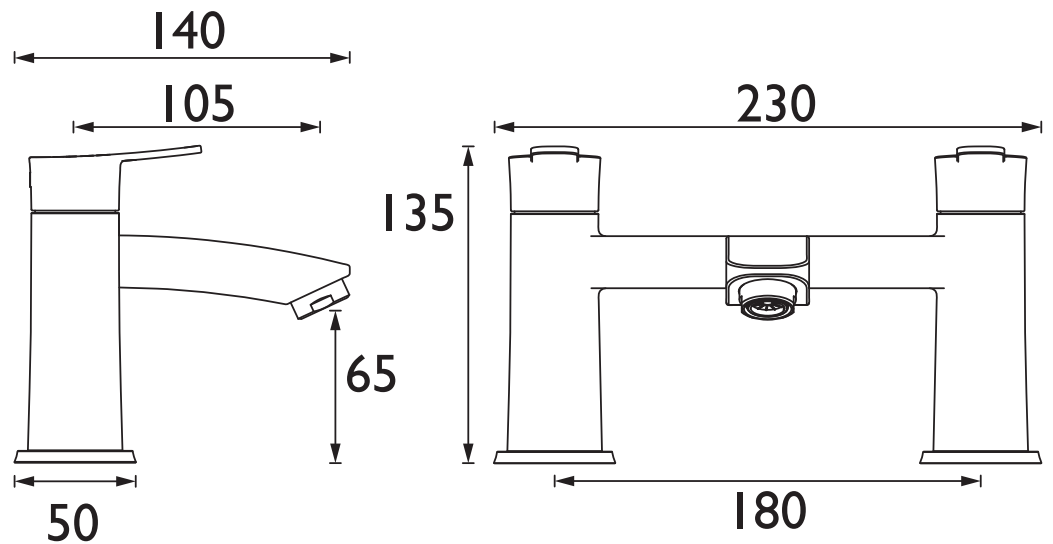
For more products, visit our website:
<http://www.bristan.com>



Specification

Product Type:	Bathroom Taps
Main Construction Material:	Brass
Mount Type:	Deck
Handle Type:	Paddle Lever
Connection Inlet:	3/4" BSP
Connection Outlet:	Housed M24 Aerator
Number of Tap Holes:	2
Valve/Cartridge Type:	3/4" Short Stem Ceramic Disc Valve
Plumbing System Requirements:	Suitable for all plumbing systems
Minimum Dynamic Pressure (bar):	0.2 bar
Maximum Dynamic Pressure (bar):	5 bar
Maximum Hot Water Temperature °C:	60°C
Maximum Static Pressure (bar):	10 bar
Flow Type:	Single
Isolation Included:	No

Dimensions (measurements in mm)



Flow Rates (l/min)

System Pressure (bar)	0.2	0.5	1	2	3	5
APL BF C (mixed)	24.2	40.4	57.2	80.9	99	127.9

TECHNICAL DATA SHEET



BRISTAN

D2

APL BSM C

APPEAL Tap Range Appeal Bath Shower Mixer Chrome



Features:

- Long life 1/4 turn ceramic disc valves for added durability and smooth control.
- Robust metal fixing nut to secure the tap in place reducing the risk of loosening over time.
- A hard-wearing, flawless, scratch resistant chrome finish that lasts for years. Salt spray tested to ensure added durability.
- Rub clean handset - limescale and debris build-up is quickly and easily removed by rubbing a finger or a cloth over the nozzles.
- 10-year parts and 1 year labour guarantee for peace of mind.
- Also available in black and brushed brass.
- Co-ordinating Bathroom taps available

Product Certifications:



Kiwa Certification No: 2312719
Kiwa Expiry Date: 11/12/2028

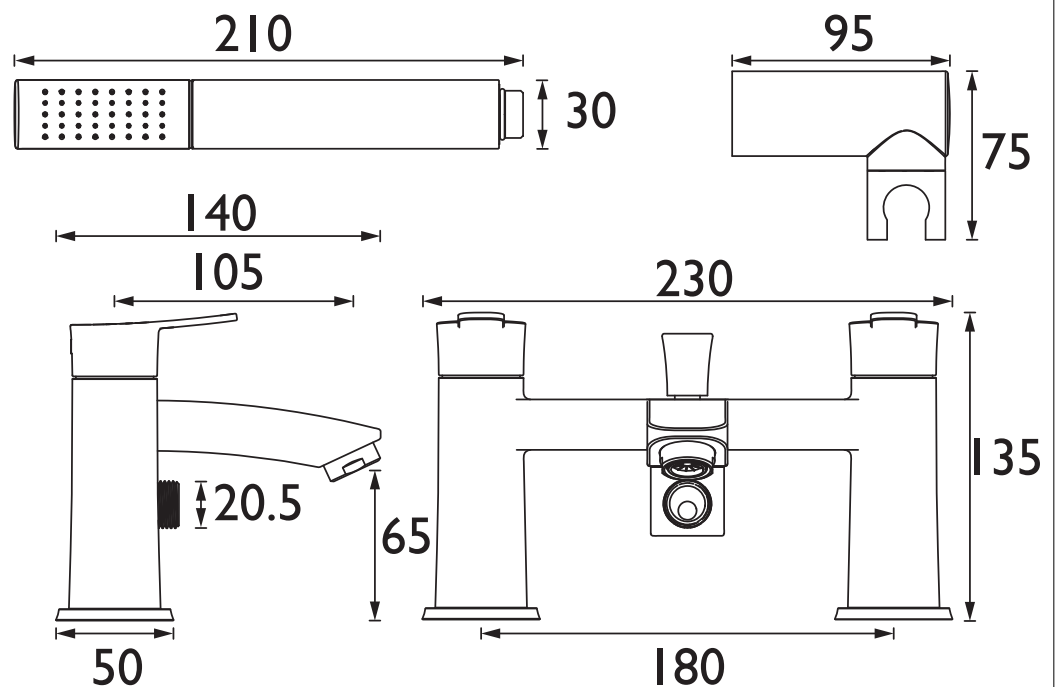
WRAS Certification No: 2312357
WRAS Expiry Date: 31/12/2028



Specification

Product Type:	Bathroom Taps
Main Construction Material:	Brass
Mount Type:	Deck
Handle Type:	Paddle Lever
Connection Inlet:	3/4" BSP
Connection Outlet:	Housed M24 Aerator
Number of Tap Holes:	2
Valve/Cartridge Type:	3/4" Short Stem Ceramic Disc Valve
Plumbing System Requirements:	Suitable for all plumbing systems
Minimum Dynamic Pressure (bar):	0.3 bar
Maximum Dynamic Pressure (bar):	5 bar
Maximum Hot Water Temperature °C:	60°C
Maximum Static Pressure (bar):	10 bar
Flow Type:	Single
Isolation Included:	No

Dimensions (measurements in mm)



Flow Rates (l/min)

System Pressure (bar)	0.3	0.5	1	2	3	5
Through Bath Filler (mixed)	13.7	18.8	27	38	46.5	60
Through Handset (mixed)	4	5.3	7.7	11.2	13.8	17.3

TECHNICAL DATA SHEET



BRISTAN

D2