

CRU C SHWR PK

CRUZAR Shower Range Cruzar Concealed Shower with Fixed Head and Flexible Riser Kit Chrome



Features:

- All in one box - pack includes shower valve with integral two outlet diverter, slimline 200mm round drench head with shower arm, and shower kit with an adjustable riser rail plus a multi function handset and wall outlet.
- Adjustable fixing brackets on riser rail enables existing screw holes to be used
- Multi function rub clean handset and drench head - limescale and debris build-up is quickly and easily removed by rubbing a finger or a cloth over the nozzles.
- Slim design recessed shower valve will fit into a cavity space as small as 35mm for hassle-free installation.
- Integral two outlet diverter so you can easily switch between the handset or drench head.

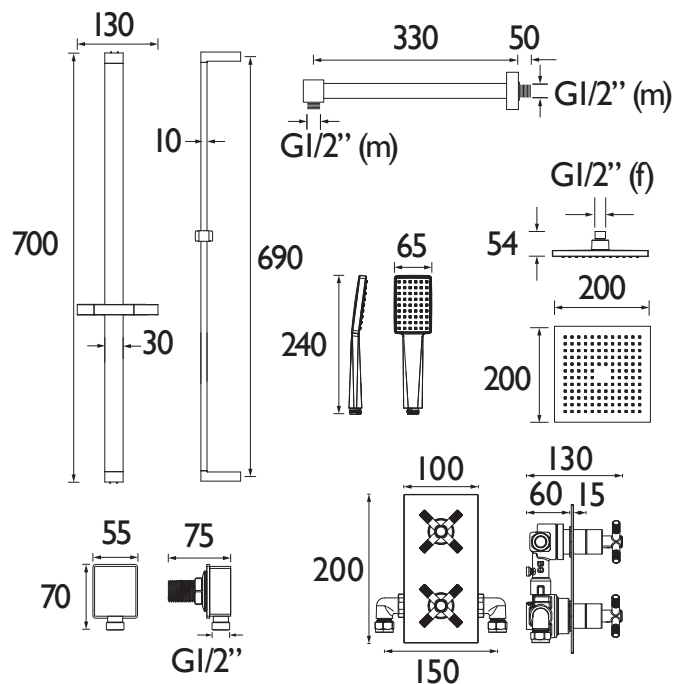
Product Certifications:



Specification

| | |
|--|--------------------------------------|
| Finish/Colour: | Chrome Plated |
| Main Construction Material: | Brass |
| No of Controls: | 2 |
| Shower Type: | Dual Control |
| Shower Head Type: | Fixed Head |
| Shower Kit: | Adjustable Riser Kit with Fixed Head |
| Valve/Cartridge Type: | 40mm Diverter Cartridge |
| Maximum Hot Water Supply Temperature °C: | 65 |
| Plumbing System Suitability: | Suitable for all plumbing systems |
| Minimum Dynamic Pressure (bar): | 0.2 |
| Maximum Dynamic Pressure (bar): | 5 |
| Maximum Static Pressure (bar): | 10 |
| Connection Inlet: | 15mm Compression |
| Connection Outlet: | G 1/2" |
| Isolation Valve Included: | No |
| Check Valve Included: | Yes |

Dimensions (measurements in mm)



Flow Rates (l/min)

| System Pressure (bar) | 0.2 | 0.5 | 1 | 2 | 3 | 5 |
|----------------------------|-----|-----|-----|-----|-----|-----|
| Through Handset (mixed) | 1.6 | 3.5 | 5.5 | 8.5 | 10 | 11 |
| Through Fixed Head (mixed) | 2.5 | 4.2 | 5.9 | 6.5 | 7.3 | 8.6 |

TECHNICAL
DATA
SHEET



BRISTAN

D2