

Technical Data Sheet

ROPER RHODES®

Clear Shower Systems

| No. | Description | Code | Fixings Included |
|-----|--|----------|------------------|
| 1 | Clear Triple Function Shower System With Smartflow Bath Filler | SVSET142 | YES |



| Inlet Pressure | Flow Rate (l/min) |
|----------------|-------------------|
| 1bar | 23.60 |
| 2bar | 33.37 |
| 3bar | 37.00 |
| 4bar | 47.20 |
| 5bar | 52.30 |

Flow from valve may vary depending on accessories and domestic supply.

Components - SVSET142

Diagrams not to scale. All dimensions in mm (tolerance of +/-5mm)

- Triple Function Thermostatic Shower Valve - SV3709
- 460mm Adjustable Brass Fixed Arm - SVARM01
- 250mm Stainless Steel Shower Head - SVHEAD12
- Air-drive Five Function Shower Handset - SVHEAD29
- Brass Shower Hose - SVHOSE01
- Riser Rail - SVRAIL05
- Brass Wall Elbow - SVACS03
- Smartflow Bath Filler - SVACS02

FAQs

What is the rail fixing centres? 595mm

How long is the shower hose? 1.5m

What is the minimum pressure for the valve? 1bar

What is the valve connection size? 1/2"

Technical Data Sheet

Thermostatic Concealed Valves

ROPER RHODES®

| No. | Description | Code | Fixings Included |
|-----|------------------------------------|--------|------------------|
| 1 | Thermostatic Triple Function Valve | SV3709 | YES |

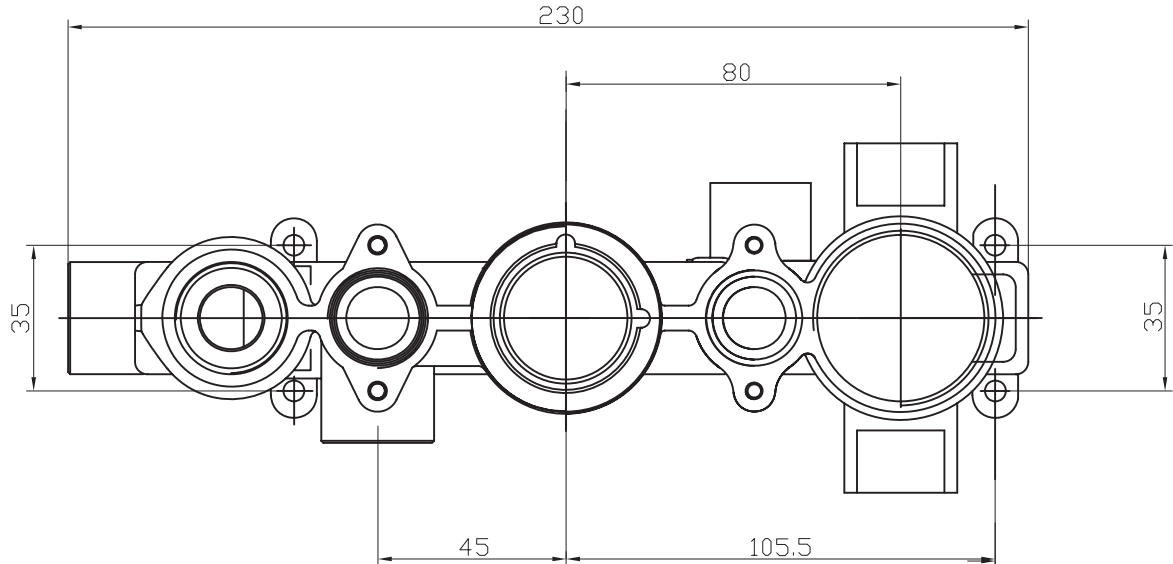


| Inlet Pressure | Flow Rate (l/min) |
|----------------|-------------------|
| 1bar | 23.60 |
| 2bar | 33.37 |
| 3bar | 37.00 |
| 4bar | 47.20 |
| 5bar | 52.30 |

Flow from valve may vary depending on accessories and domestic supply.

Dimensions - SV3709

Diagrams not to scale. All dimensions in mm (tolerance of +/-5mm)



*Dimensions are subject to change, customers are advised to measure actual product before commencing installation.

FAQs

What is included in the valve box? The valve, a cover plate, a set of handles and trim rings.

How many fixing holes does the valve have? Four - two on the bottom and two on top of the valve.

What is the size of the connections? The valve uses 1/2" connections.