

BRISTAN

Installation Instructions & User Guide

Please leave these instructions
with the end user

MIO 1/2 C (D1)

Specifications

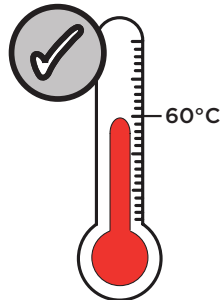
Dynamic Water Pressure

Min: 0.2 bar Max: 5.0 bar



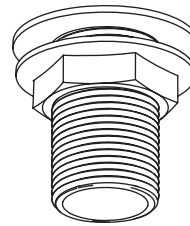
Maximum Static Pressure: 10.0 bar

Inlet Water Temperature



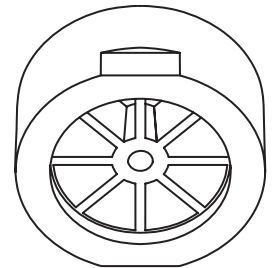
Maximum Hot 60°C

Inlet Connections



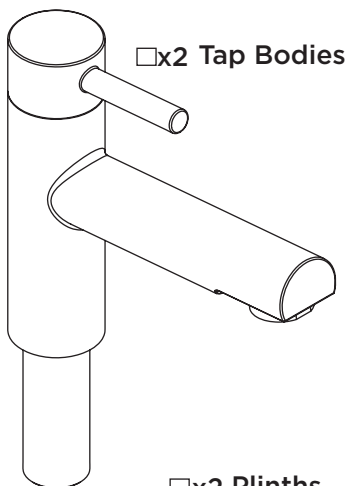
1/2" BSP

Outlet Connections



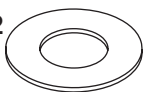
M24 Flow
Straightener

Pack Contents



Rubber
Washers

x2



x2 Plinths



x2



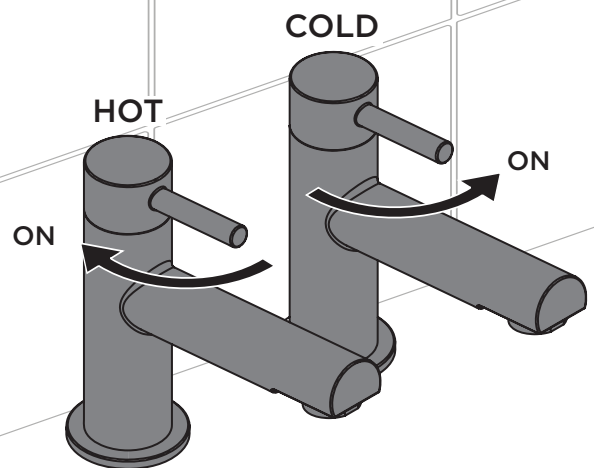
Metal Backnuts

x2

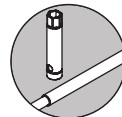


Rubber
Washers

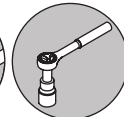
Operation



Tools Required for Installation/ Maintenance



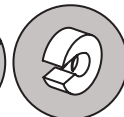
24mm
Box Spanner



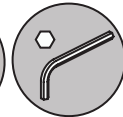
17mm Socket
Spanner



Adjustable
Spanner



Pipe
Cutters



2mm Hex
Key



Crosshead
Screwdriver

Prior to Installation

All products manufactured and supplied by Bristan are safe to use provided that they are installed, operated and receive regular maintenance in accordance with these instructions.

This product needs to be installed in accordance with, and meet the requirements of The Water Supply (Water Fittings) Regulations (Northern Ireland) 2009 and The Water Supply (Water Fittings) (Scotland) Byelaws 2014. For full Installation Requirements & Notes (IRN) please visit www.wrasapprovals.co.uk/approvals-directory

Isolation valves must be fitted to the inlet water supplies to ensure ease of future maintenance.

Before installing this product the water supply must be thoroughly flushed in order to remove any swarf, solder etc. Full access must be made available for future maintenance/servicing purposes.

This product must not be modified in any way as this will invalidate the guarantee.

Spare Parts



To replace any spare parts for your tap, why not scan the QR Code or visit www.bristan.com and search for your product.



IMPORTANT

Images shown are for illustrative purposes only.

The tap you have purchased may look different to those pictured in these instructions, but will follow the same installation steps.

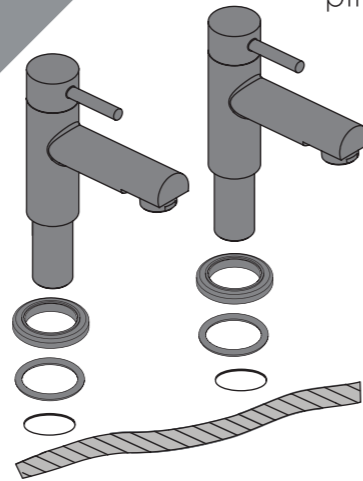
Your contents page will be specific to your product.

If you find your product or any of its components differ from those shown on the contents page, please contact our Customer Support on - 0330 026 6273

Installation

1

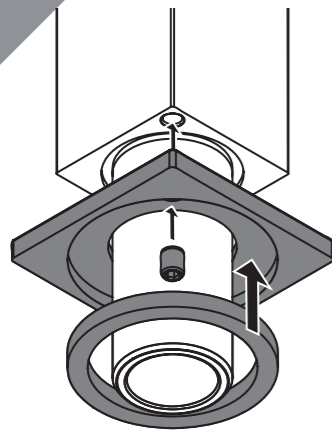
Feed the tap body through the plinth and ensure plinth seals are in place.



Your taps may come with plinths and will either be included pre-attached or loose in the box

Once aligned, feed threaded tails through tap holes.

1*

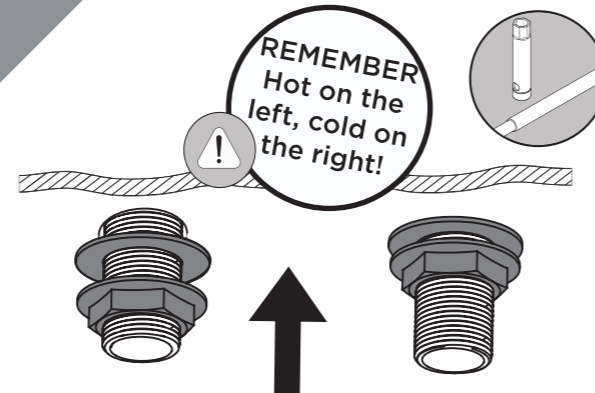


You may be required to secure the plinth to the tap with a grub screw

If the hole is not directly visible on the plinth, check underneath rubber seal

Ensure rubber seal is in place once plinth is attached

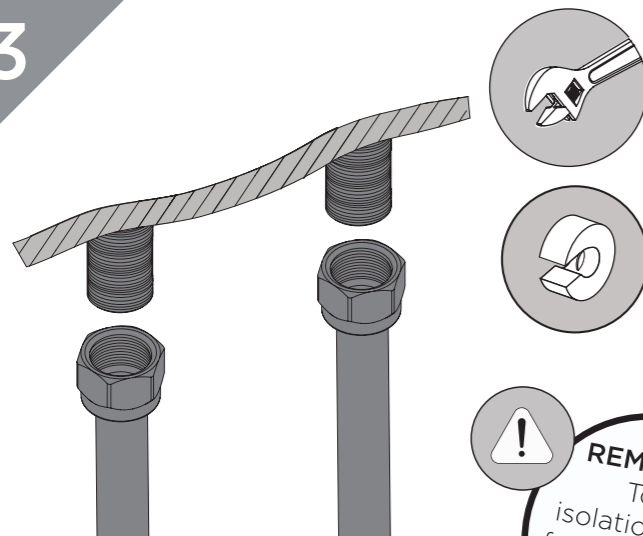
2



REMEMBER Hot on the left, cold on the right!

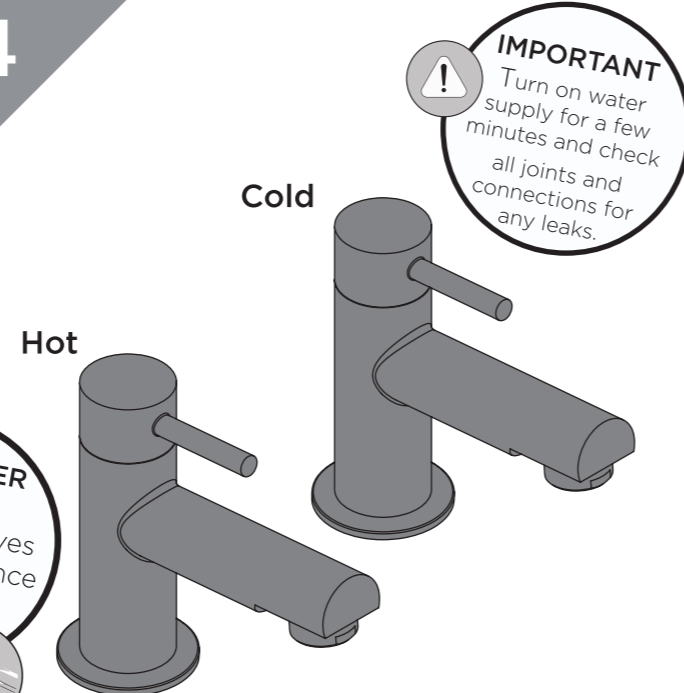
Secure the taps to the basin by using the washer and metal backnut below the basin.

3



Connect the hot and cold water supplies to the threaded tails.

4



IMPORTANT Turn on water supply for a few minutes and check all joints and connections for any leaks.

REMEMBER To fit isolation valves for maintenance purposes

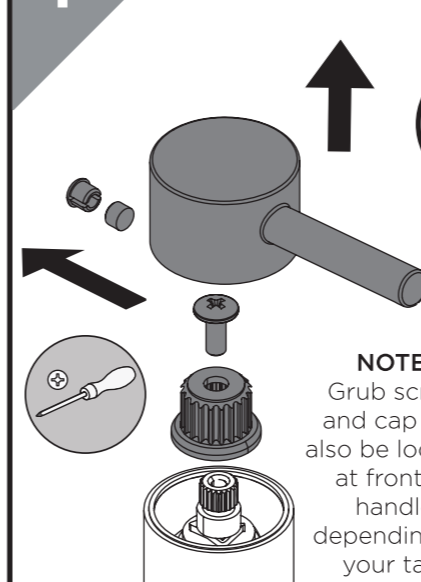
Fit the taps to the basin, ensuring the plinth is in place.

Maintenance - Valve Cleaning/Replacement



PLEASE NOTE - Taps shown in these instructions are for illustration purposes only. All taps can be maintained using these instructions.

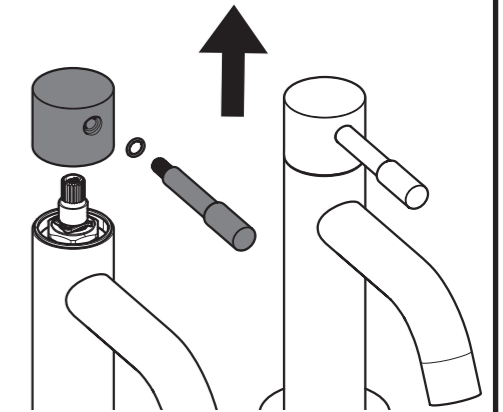
1



IMPORTANT Isolate the water supply before starting!

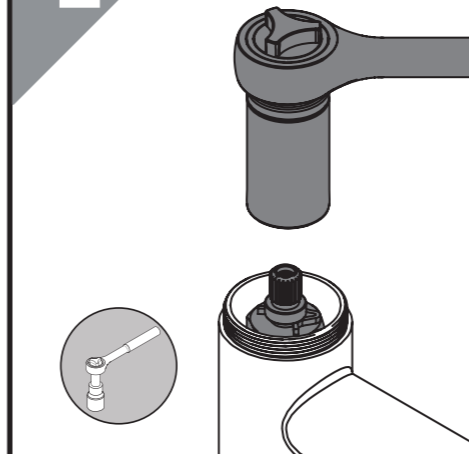
NOTE: Grub screw and cap can also be located at front of handle depending on your tap.

Remove the handles depending on the style of your tap, including any spline adaptors if used.

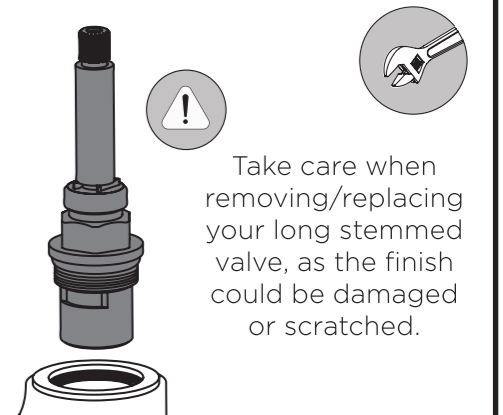
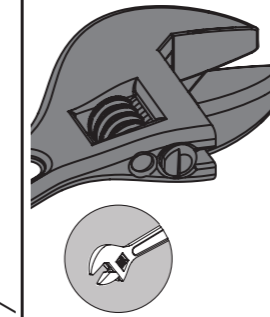


Unscrew handle washer to remove the handles.

2



Remove the valve using the tool required for your tap. Check any seals and O-rings for damage. Replace valve if necessary.



Take care when removing/replacing your long stemmed valve, as the finish could be damaged or scratched.

3




Visit www.bristan.com or scan the QR Code and search for your product code to replace the cartridge for your tap.

4



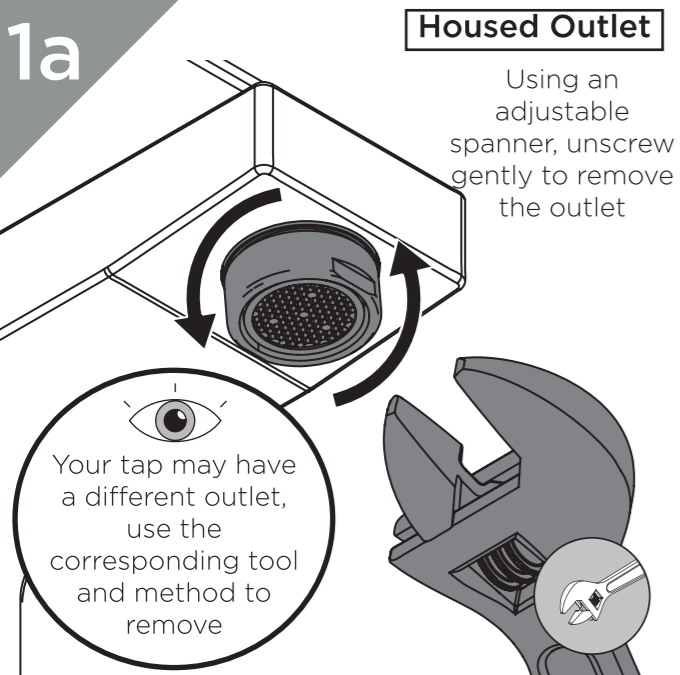
Reverse the steps to replace the valves and handles.

Maintenance - Clean/Replace Outlet

 PLEASE NOTE - Taps shown in these instructions are for illustration purposes only. All Taps can be maintained using these instructions.

1a Housed Outlet

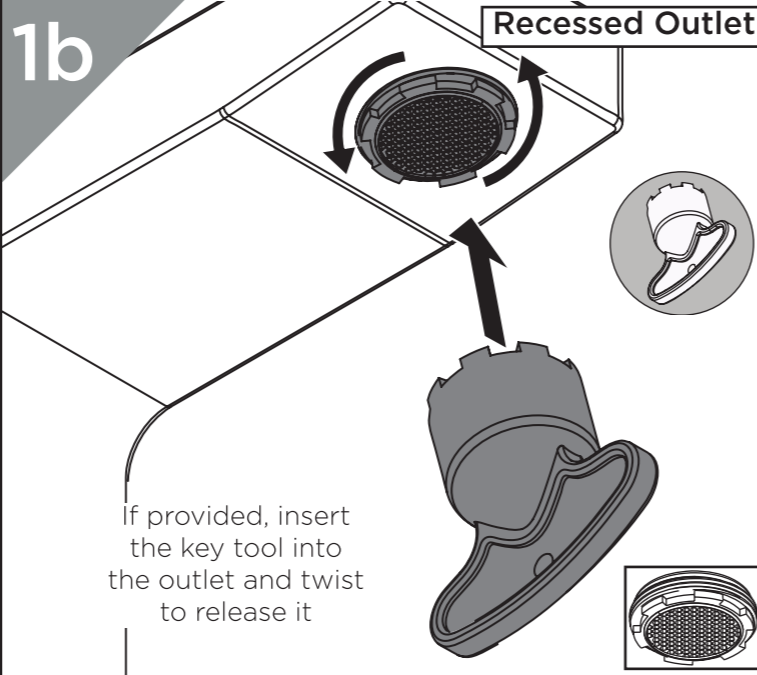
Using an adjustable spanner, unscrew gently to remove the outlet



Your tap may have a different outlet, use the corresponding tool and method to remove

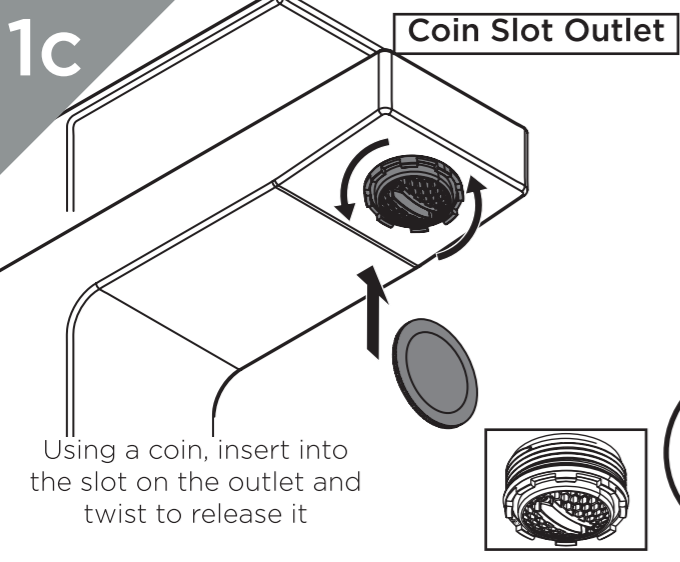
1b Recessed Outlet

If provided, insert the key tool into the outlet and twist to release it




1c Coin Slot Outlet

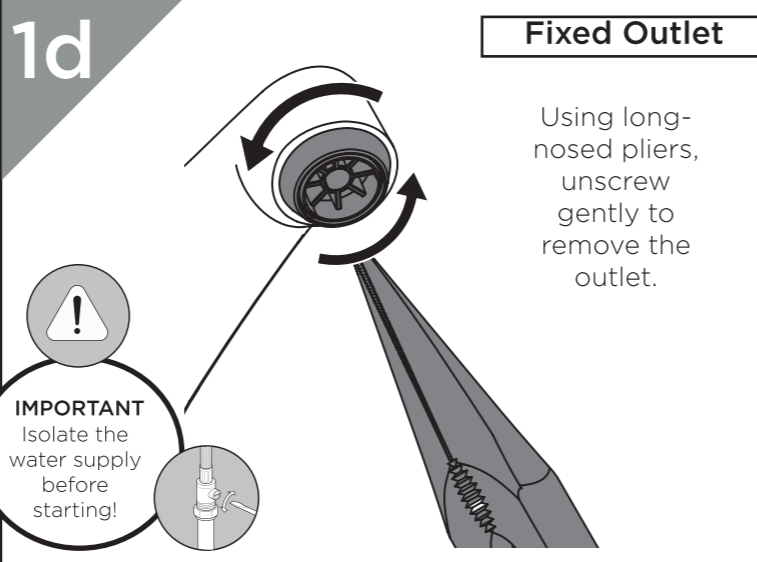
Using a coin, insert into the slot on the outlet and twist to release it



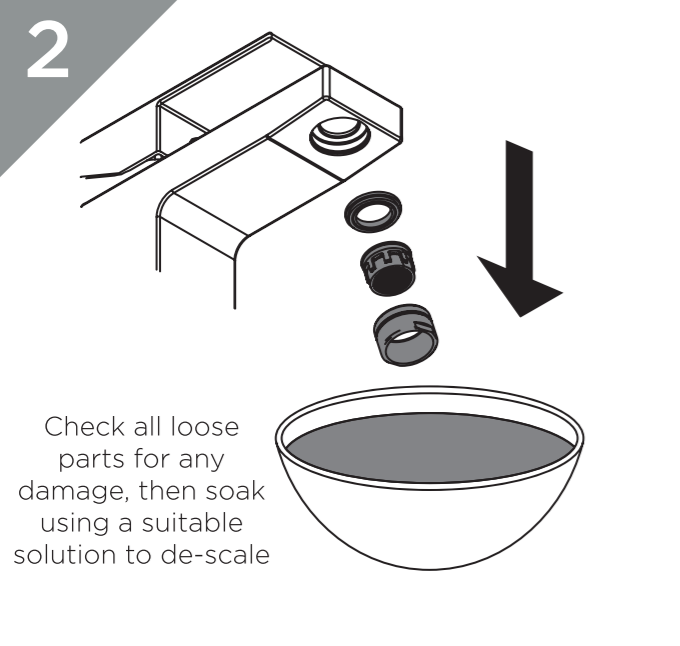
1d Fixed Outlet

Using long-nosed pliers, unscrew gently to remove the outlet.

 **IMPORTANT**
Isolate the water supply before starting!

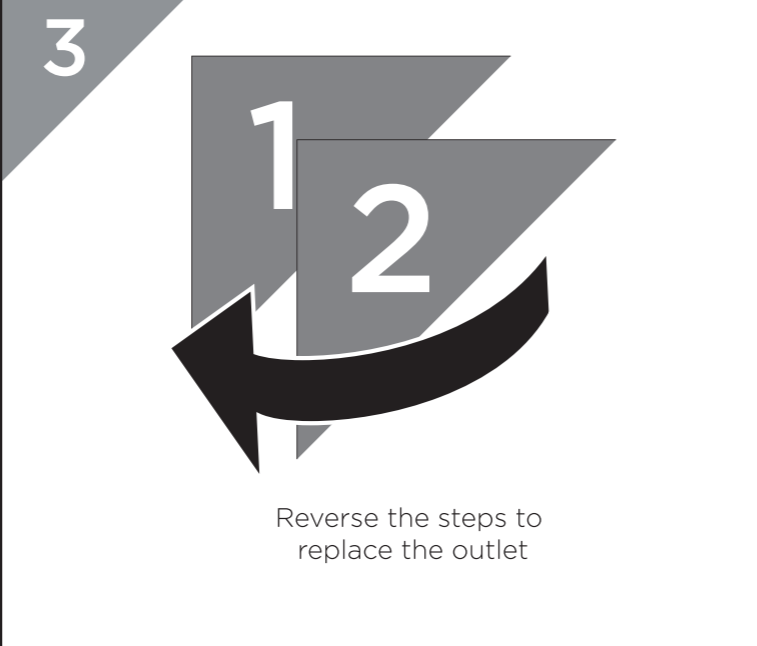


2



Check all loose parts for any damage, then soak using a suitable solution to de-scale

3



Reverse the steps to replace the outlet

Troubleshooting

Symptom	Cause	Remedy
No flow or low flow rate	Partially closed isolation valve.	Open isolation valve.
	Head of water is below the minimum distance required.	Refer to specification for minimum distance required.
	Hot or cold water being drawn off elsewhere causing pressure changes or instantaneous boiler temperature changes.	Do not use other water outlets when using the taps.
Water dripping from taps	Airlock or partial blockage in the supply pipework.	Flush through pipework to ensure removal of debris and any airlocks.
	This is normal for a short time after using the taps.	This is caused by residual water tension, the build up of water in the tap body.
Taps do not turn on	If water continues to drip, possibly due to the ceramic disc valves	Remove valves and clean, refer to 'Maintenance' section before starting any maintenance.
	Closed isolation valve.	Open isolation valve.
Taps do not turn on	Mains water supply turned off.	Turn on mains water supply.

General Cleaning

Bristan products are made from premium materials, with hand polished, electroplated, PVD or EPD finishes.

Your taps should be regularly cleaned with warm water, a mild pH-neutral liquid soap and polished with a soft cloth. Any residues from soap, toothpaste etc. can cause blemishes if not rinsed off straight after use.

Household bleaches and cleaners contain harsh chemicals and may damage the surface finish. Avoid using abrasive cloths, scouring pads, scrub sponges, steel wool or anything similar.

Contact Us

BRISTAN

Bristan Group Ltd.

UK: Bristan Group, B78 1SG.

EU: Masco Europe S.à.r.l.
14 Rue Strachen
6933 Mensdorf
Luxembourg

Customer Service: +44330 026 6273

Web: www.bristan.com

Email: enquire@bristan.com

A Masco Company

Our Guarantee

At Bristan, we want to make things as easy as possible for our customers. That's why we offer solid guarantees on all our products, effective from the date of purchase, to give you peace of mind.

To start your free guarantee simply scan the QR code and register your product. Alternatively visit www.bristan.com/register.

For any other queries, please call our Customer Service on 0330 026 6273 where our expert team of advisors will be able to offer you any help and advice.

For full guarantee terms and conditions visit www.bristan.com/service-centre/guarantees.

