

# Guarantee

This VADO WC Cover comes with a 2-year guarantee as standard. Within this guarantee period, VADO will provide replacement parts.

This standard guarantee may be extended by registering your product on our website at: <https://www.vado.com/support/guarantee>. Once registered this vanity unit will have a 6 year guarantee.

## Guarantee Conditions

Our products are guaranteed against manufacturing defects from the date of purchase until the expiry of the relevant guarantee period shown above.

The guarantee is only valid if:

- The product has been installed, used and maintained in accordance with VADO's instructions and subjected to normal use only.
- The defect is not due to accident, misuse, neglect, or incorrect/inappropriate repair (other than by VADO or VADO authorised agents) or damage caused by foreign objects or substances.
- The extended guarantee is only available if you have completed the guarantee registration process.

This can be done via the VADO website or via telephone to our Aftersales team.

Registration must be completed within 6 months from the date of purchase. Under the extended guarantee period VADO will, at its option, offer to supply any replacement product (or component part) assessed to be defective **[SEE NOTE 1]**.

- The guarantee (whether standard or extended) is non-transferable to any subsequent owner.
- Mould, Mildew build up, the effects of limescale and corrosion are not covered under this guarantee.
- This guarantee does not cover damage and/or malfunction caused by inappropriate cleaning (please refer to our recommended care and maintenance guidelines).
- Damage to VADO furniture caused by standing water or inadequate room ventilation is not cover under this guarantee.

All claims under the guarantee should be notified in the first instance to our Aftersales department, contact details below, this must be done no later than the last day of the relevant guarantee period.

All claims must be accompanied by proof of purchase (sales receipt or delivery note) from an official VADO dealer.

The guarantee does not extend to any consequential loss or damage.

After repair or replacement, the relevant guarantee period will be calculated from the original date of purchase.

VADO operates a policy of continuous product development and therefore reserves the right to change the product, packaging and documentation specifications without notice.

In situations where like-for-like replacements are not possible, VADO will endeavour to provide the closest alternative. E&OE.

## NOTES:

**[1]** VADO reserves the right to charge in advance for a product (or replacement part) pending collection and investigation (at VADO expense) to confirm a defect is due to a manufacturing issue.

If a defect is found the charge will be refunded or cancelled.

This guarantee is in addition to and does not affect your statutory rights as a consumer.

Tel: 01934 745163

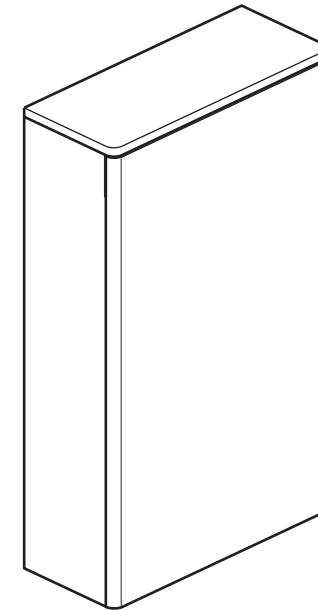
Email: [aftersales@vado.com](mailto:aftersales@vado.com)

# WATERGAMES

## Installation Guide

### Back to wall cistern cover

## CAM-FBTW



Keep for future reference



## Important - please read

VADO reserves the right to make technical improvements and enhance the appearance of the products included in this instruction manual.

Please read these instructions carefully before starting installation and keep for future reference.

Remove all packaging and check the product for missing parts or damage before starting installation.

Any alterations made to this product and fittings may infringe water regulations and will invalidate the guarantee.

The installation must comply with all Local/National Water Supply Authority Regulations/Byelaws and Building and Plumbing Regulations.

To be installed in accordance with BS EN806.

We strongly recommend that you use a qualified and registered plumber.

## General Care and Safety

Wall plugs supplied are ONLY suitable for solid stone/brick walls. They are not suitable for use in aerated blocks or similar. If fixing to a stud wall, sufficient extra internal reinforcements must be made to the wall. Screws must locate into suitably reinforced studs and noggins.

Take care using power tools - The use of a residual current device (RCD) is recommended. Beware of hidden cables or pipes when drilling.

This product can be dangerous if installed incorrectly. This product must be installed by a qualified plumber or installer. It is the installer's responsibility to check that the fixings are suitable for the installation in hand.

Cistern fittings are suitable for Water pressure: 0.2 - 10 bar. Do not add caustic chemical substances (eg containing chlorine compounds or similar into the cistern. These can damage the valve components and cause failure.

Before starting to enclose the frame, the system must be first tested for leaks before 2nd fix commences. Using the help of a second person to hold the pan in place on the frame, turn on the water supply and flush the pan to check for leaks.

When installed, the fitting must comply with the requirements of the Water Supply (Water Fittings) Regulations 1999 and Scottish Byelaws 2004.

For further information, contact the Water Regulations department of your local water supplier (see the WRAS website [www.wras.co.uk](http://www.wras.co.uk) for details) or the Water Regulations Advisory Scheme by email ([info@wras.co.uk](mailto:info@wras.co.uk)) or telephone: 01495848454.

Please take great care when installing this product not to damage its surface.

Please note if installing in an enclosed environment, access should be left for servicing and maintenance. No costs relating to inadequate access can be accepted.

Vado

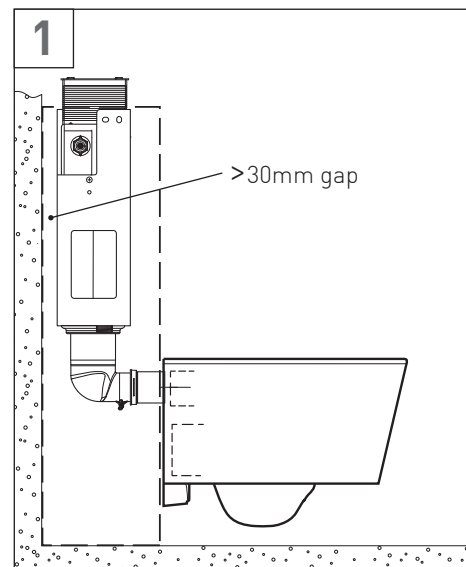
Wedmore Road, Cheddar, Somerset, England BS27 3EB

tel 01934 744466 fax 01934 744345

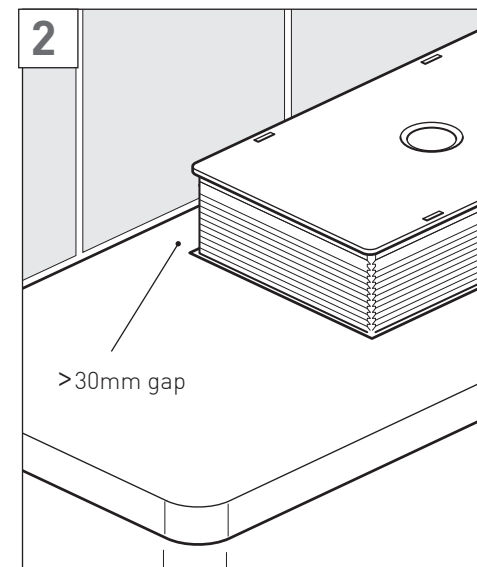
[aftersales@vado.com](mailto:aftersales@vado.com)

[www.vado.com](http://www.vado.com)

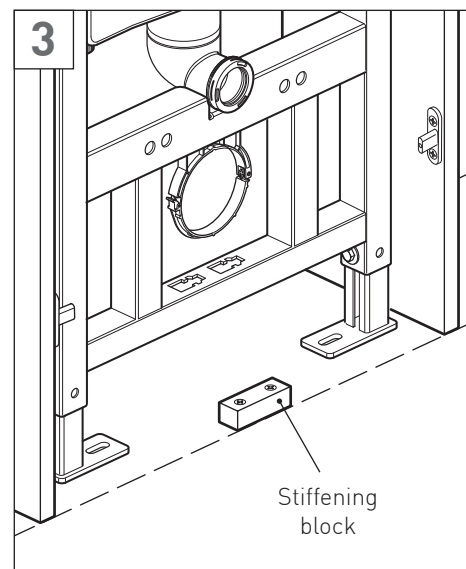
## Installation - Short framed with top mounted flush plate



Install the frame making sure there is at least a 30mm gap between the cistern and the wall.



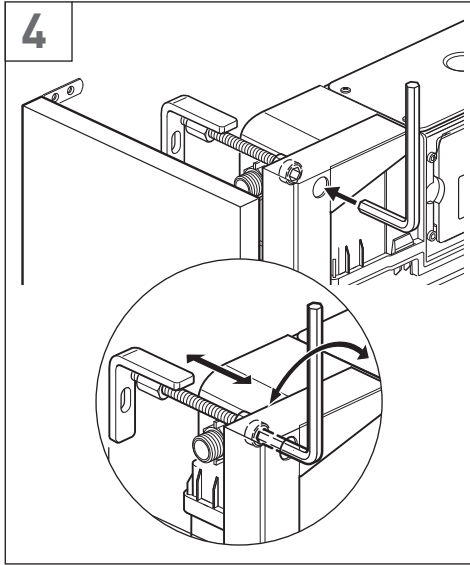
Make sure there is gap of at least 30mm between the finished wall and the face plate box.



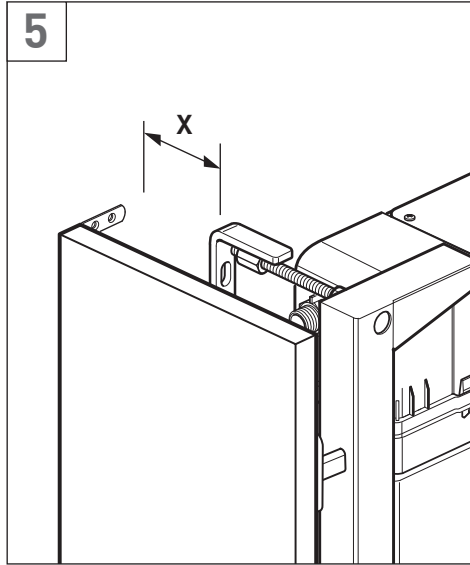
Screw a stiffening block into the floor, Make sure it is flush with side panels. Fix the frame to the wall.

**Continue your installation using the original instructions supplied with the cistern. Starting from step 6.**

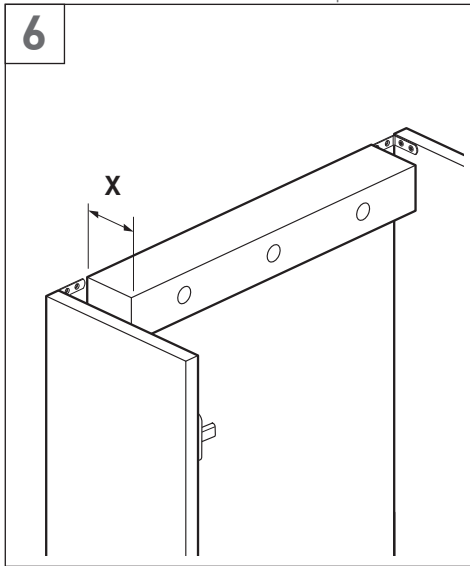
## Installation - Short framed with front mounted flush plate



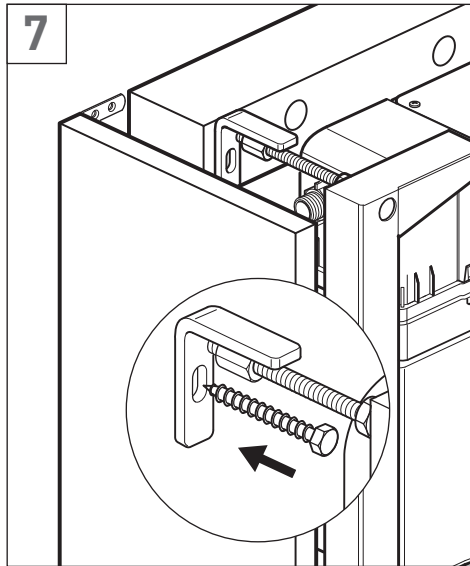
Locate the hex key hole in the corner of the frame. Turn anti-clockwise to undo the bracket to its maximum position.



Measure the distance **X** from the back of the bracket to the wall.

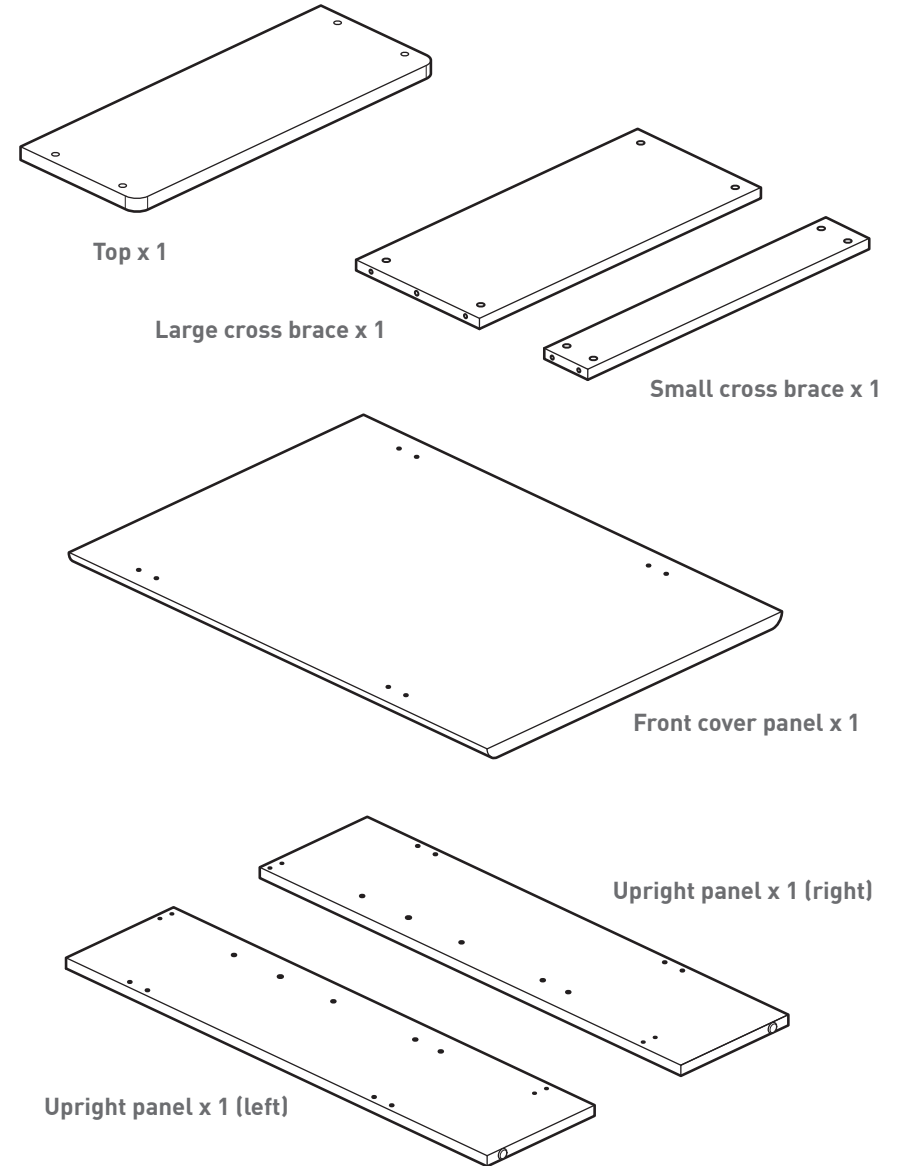


Screw a batten (**X** wide) to the wall level with the sides. Use suitable coach bolts for your wall (not supplied).

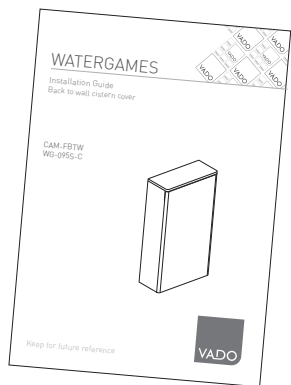


Secure the frame to the batten using the supplied coach bolts. Rotate the brackets to point inwards if required.

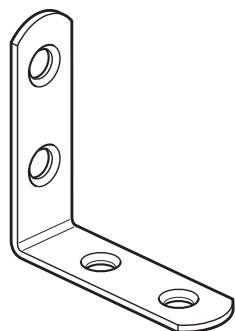
## Contents of packaging - Panels



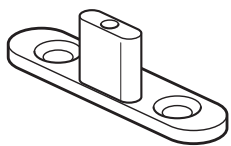
# Contents of packaging - Fixings



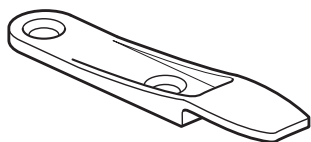
Installation guide & User manual



Angle brackets x 4



Latch x 4



Panel clips x 4



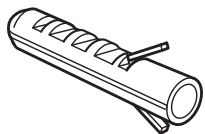
Cams x 8



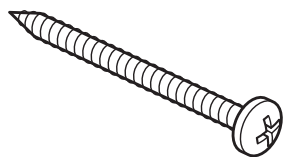
Metal dowels x 8



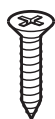
Wooden dowels x 6



Wall plugs x 8

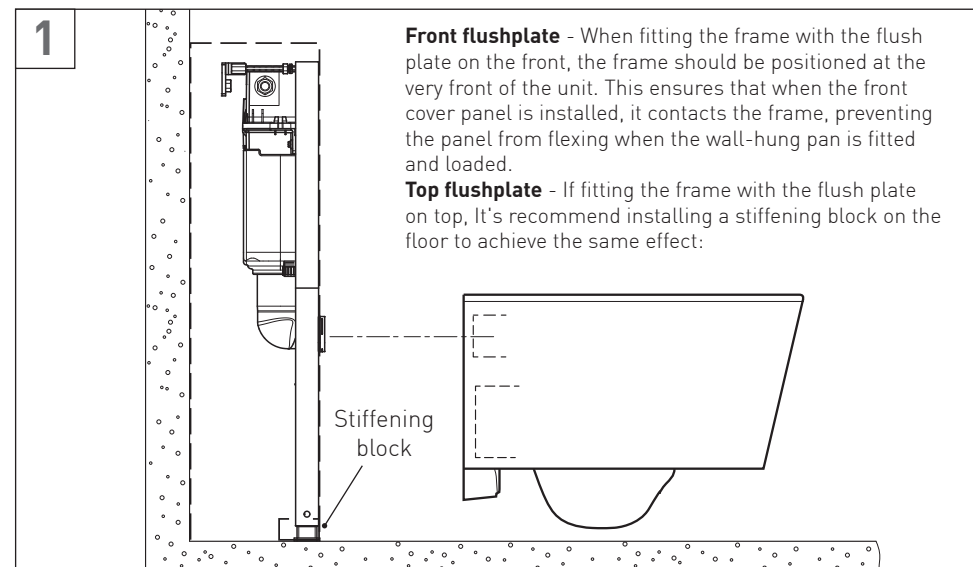


Screws x 8

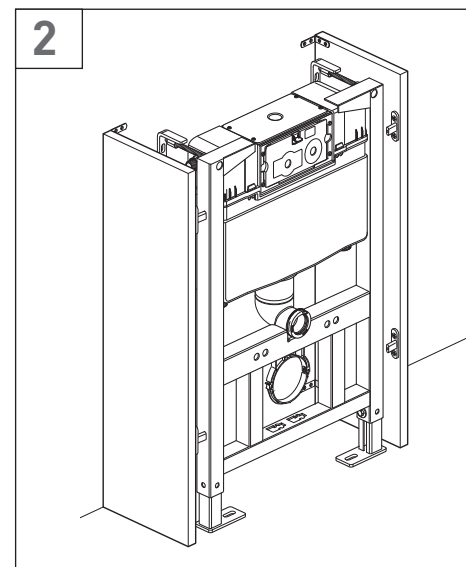


Screws x 24

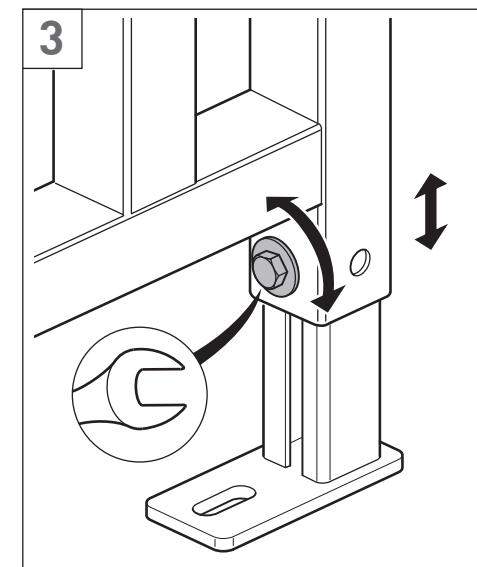
# Installation - Short framed with front mounted flush plate



The two cross braces are not required for this configuration. It may be necessary to stand the frame off the wall to enable the flush plate to be front fitted (by more than the supplied wall brackets allow).

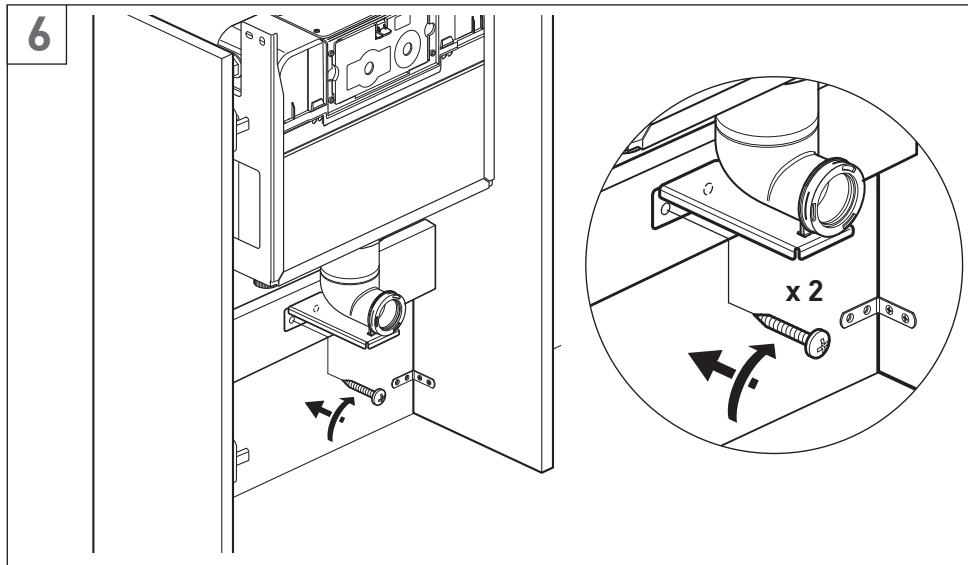


Position the frame flush with panel sides.



Release the nut to adjust the height of the frame. When in the required position retighten the nut.

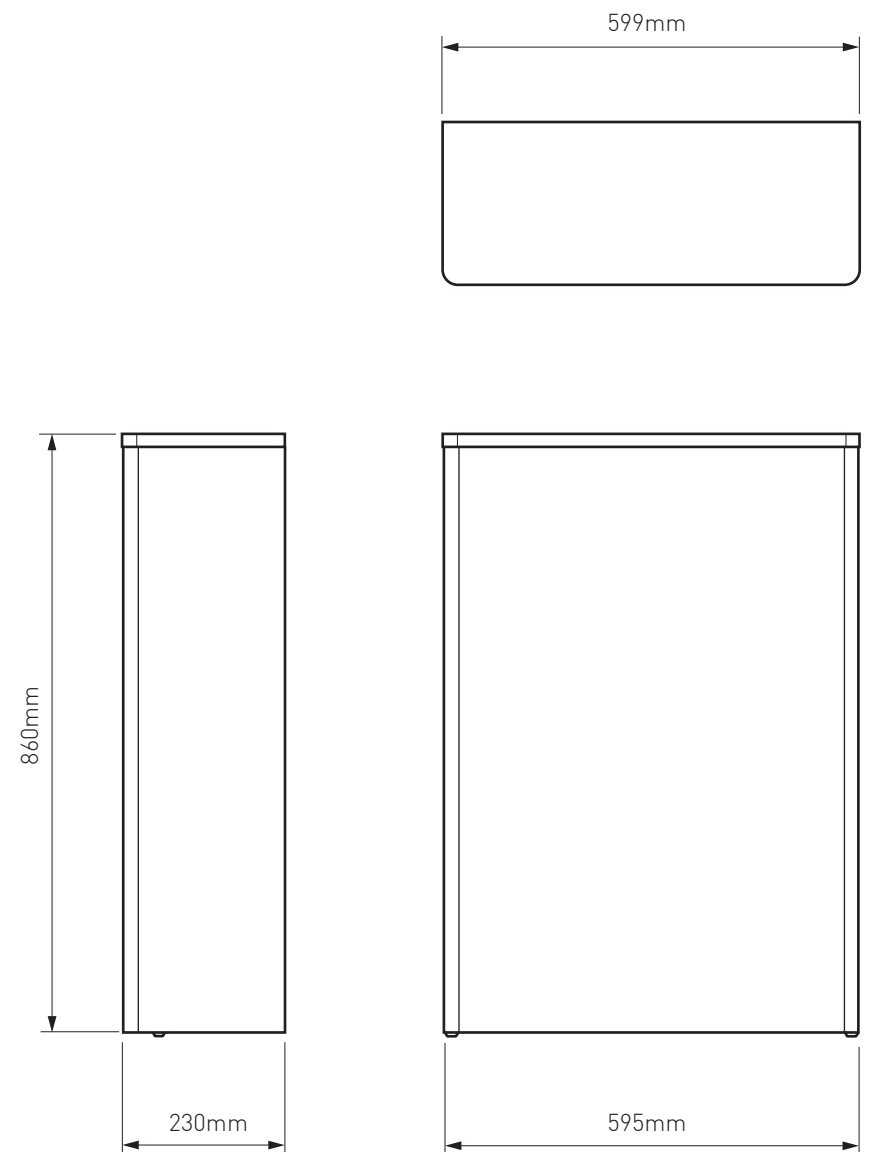
## Installation - WG-095S New version



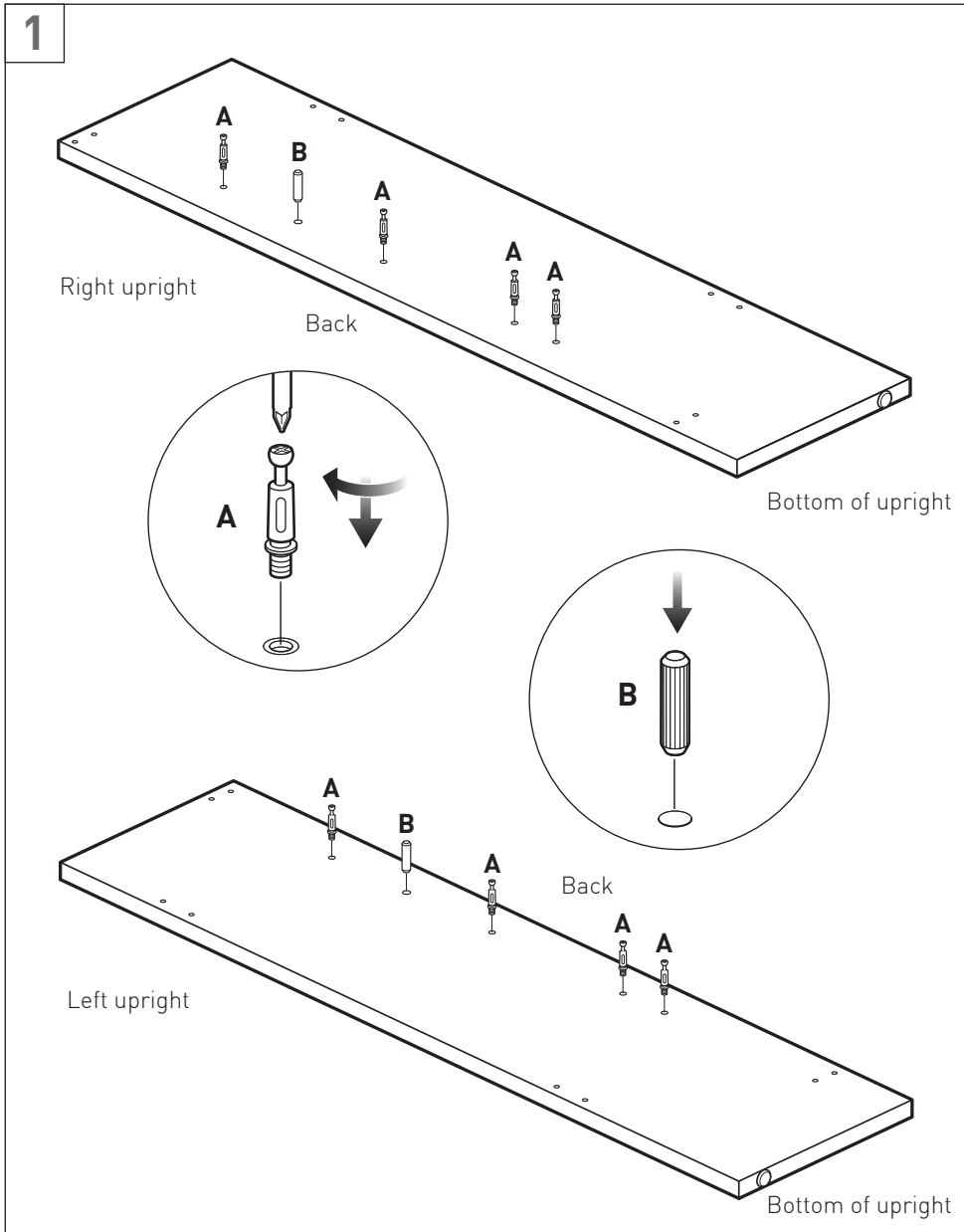
Secure the bracket to the small brace using two suitable screws (not supplied).

**Continue your installation using  
the original instructions  
supplied with the cistern.  
Starting from step 4.**

## Dimensions

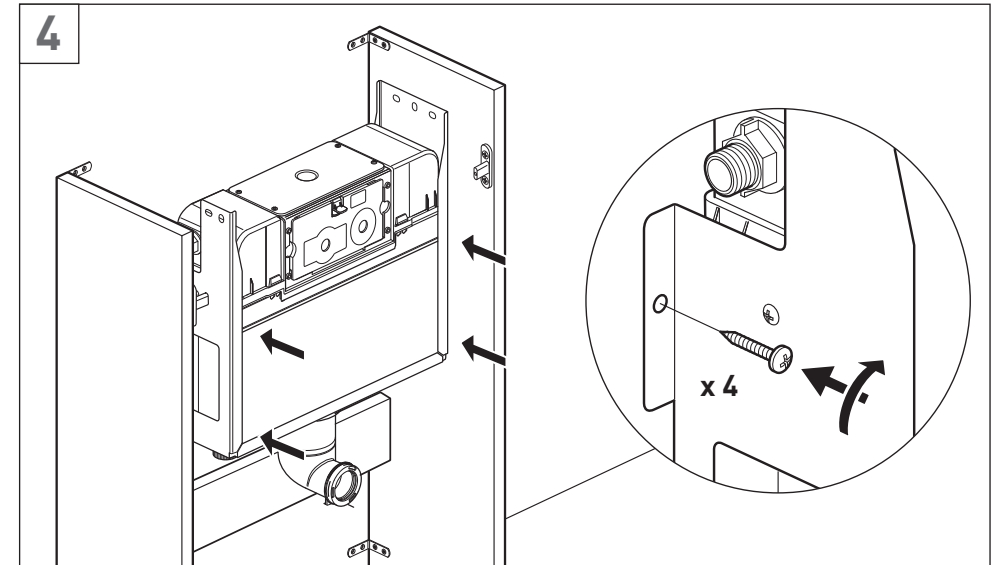


# Installation

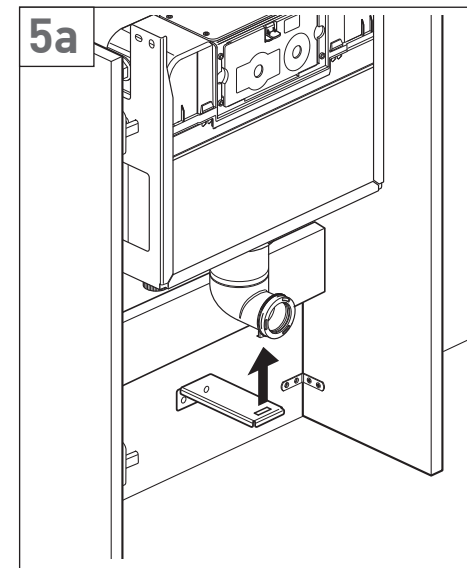


In each side panel screw in the four metal dowels **(A)** along the back of the panel. Push the wooden dowel into the hole **(B)** you might need to lightly use a rubber hammer to make sure its home.

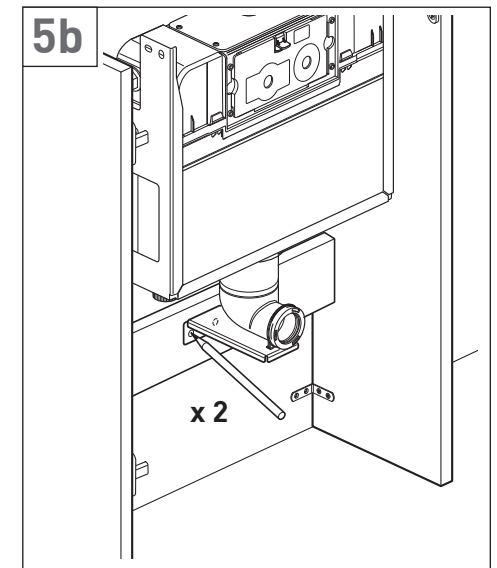
# Installation - WG-095S New version



Secure the cistern in position using four suitable screws (not supplied).



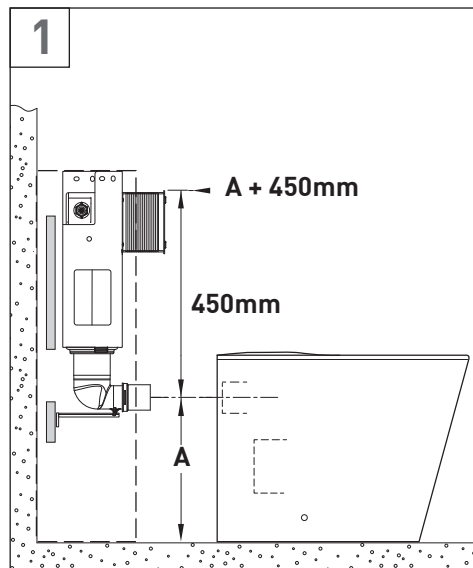
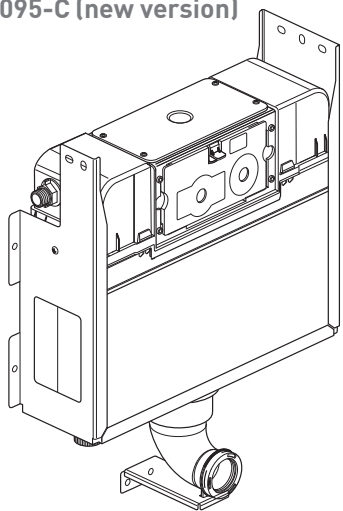
Hold the bracket slot in the bottom of the outlet bend.



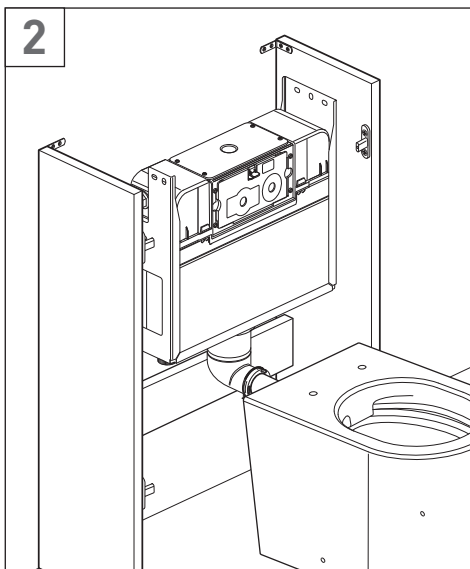
Make sure the bracket is level and mark the two holes.

# Installation - WG-095S New version

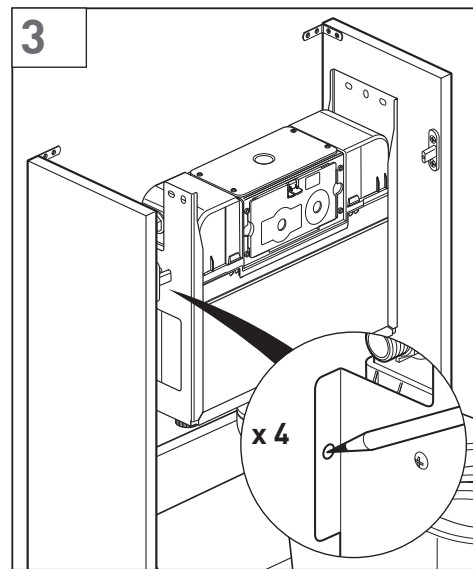
## WG-095-C (new version)



Measure the height at the centre of the toilet inlet **(A)**. Add this to your height to the top of the box.

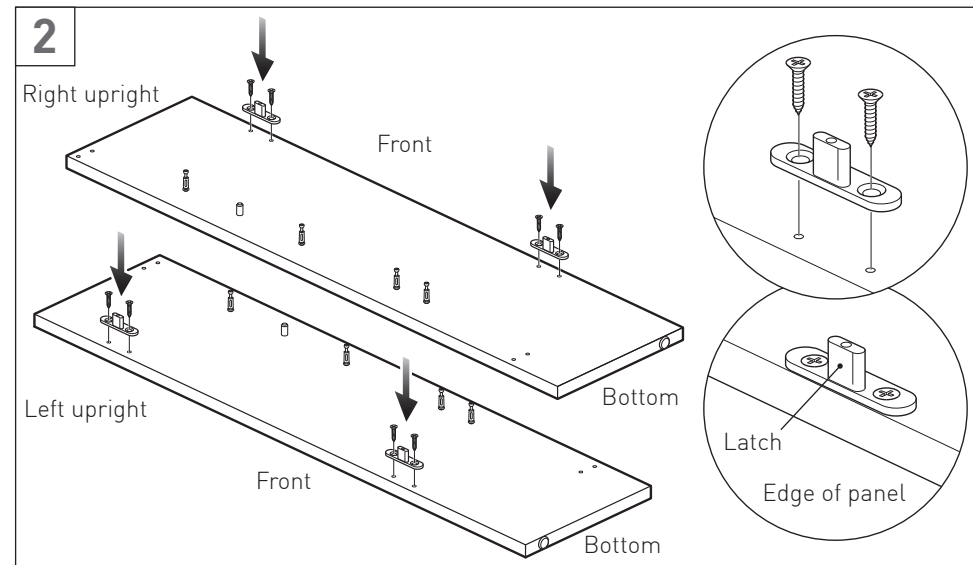


Before installing the cistern, ensure that it will fit properly inside the furniture unit at the required height.

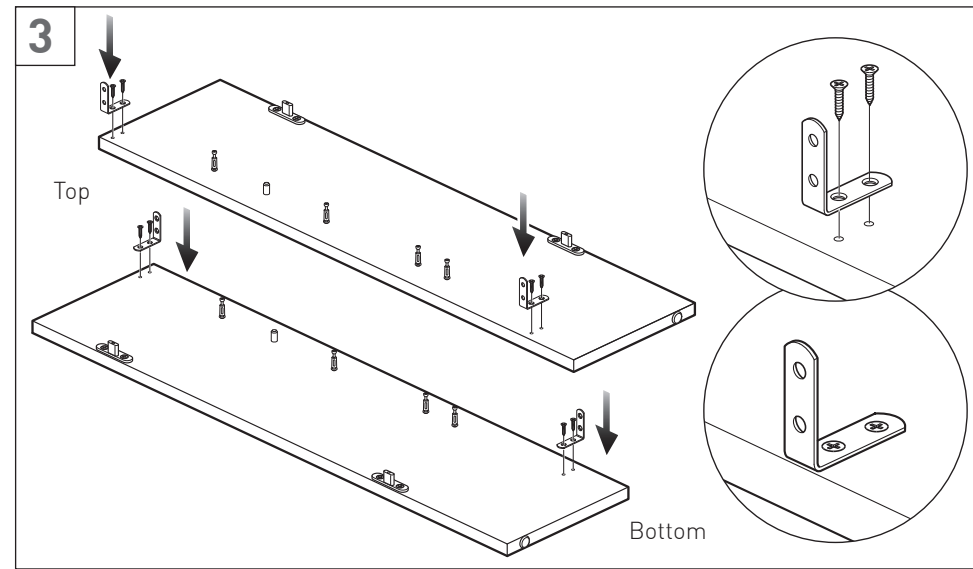


Mark the position of the four fixing holes on the large brace.

# Installation

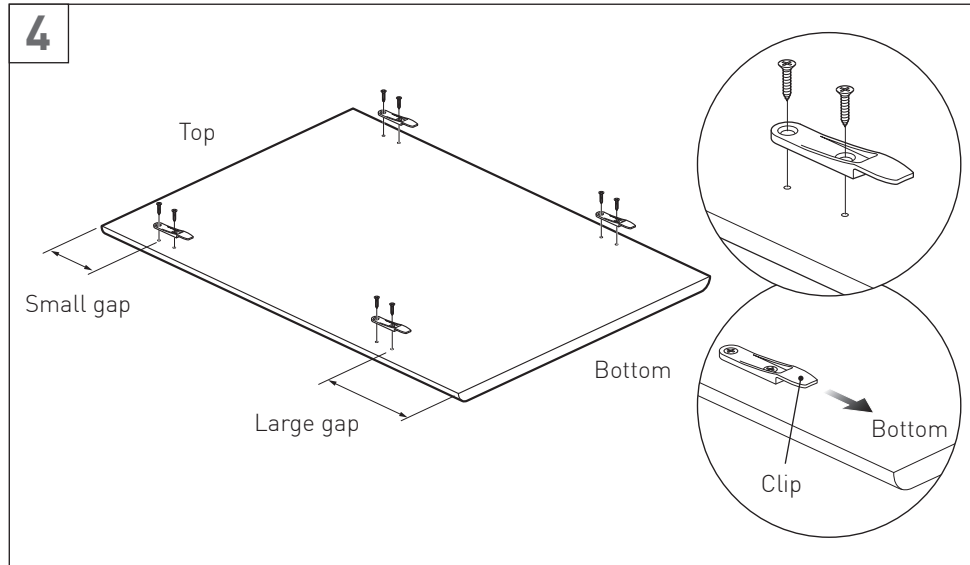


Screw the four latches in place along the front edge of the panel using the small screws into the pre-drilled holes. Make sure the latch is flush with the outside of the panel.

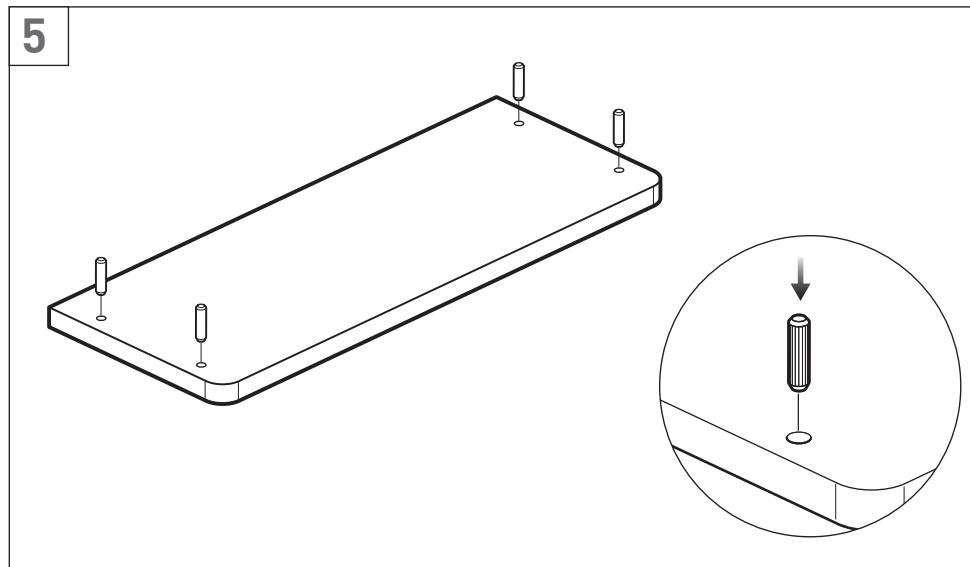


Screw the four wall brackets in position using the small screws into the pre-drilled holes. The bottom brackets are set back from the bottom of the panel.

## Installation

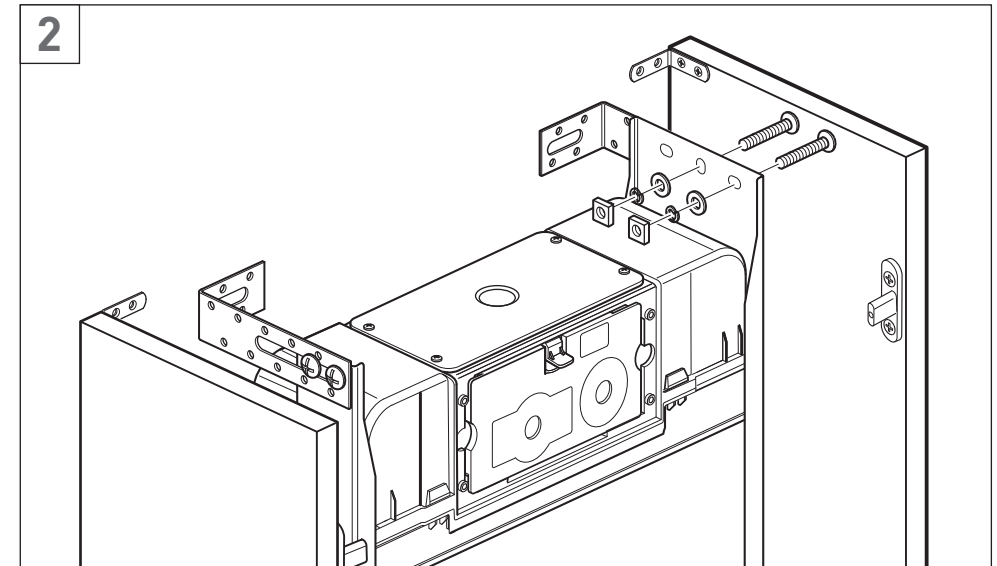


Screw the four panel clips in position using the small screws into the pre-drilled holes. The gap at the top of the panel to the clip is smaller than at the bottom. Make sure that the clip part is facing downwards.

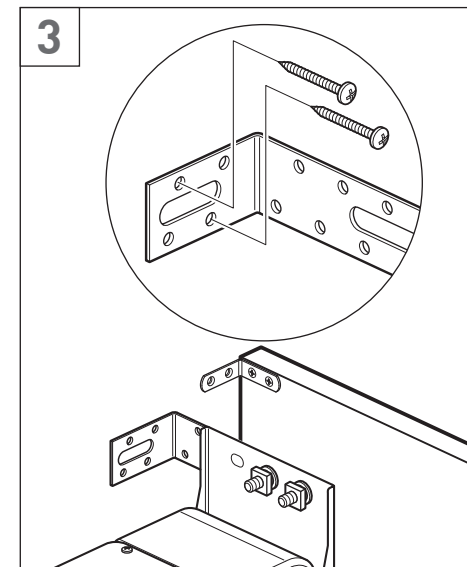


Push in the four wooden dowels into the holes in the bottom of the top. You might need to lightly use a rubber hammer to make sure they are home.

## Installation - Cistern to wall



Repeat the same procedure the other side.



Finally secure the brackets to the wall with suitable screws and/or wall plugs (not supplied).

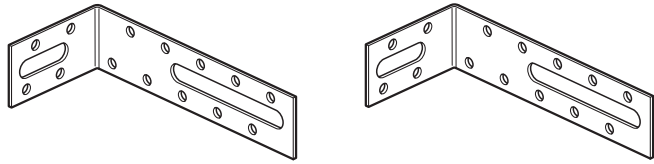
**Continue your installation using the original instructions supplied with the cistern. Starting from step 4.**



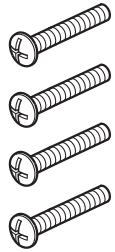
# Installation - Cistern to wall

## Fixing Kit

**Note:** Suitable fixings for your wall are not supplied.



Brackets x 2



Bolts  
x 4



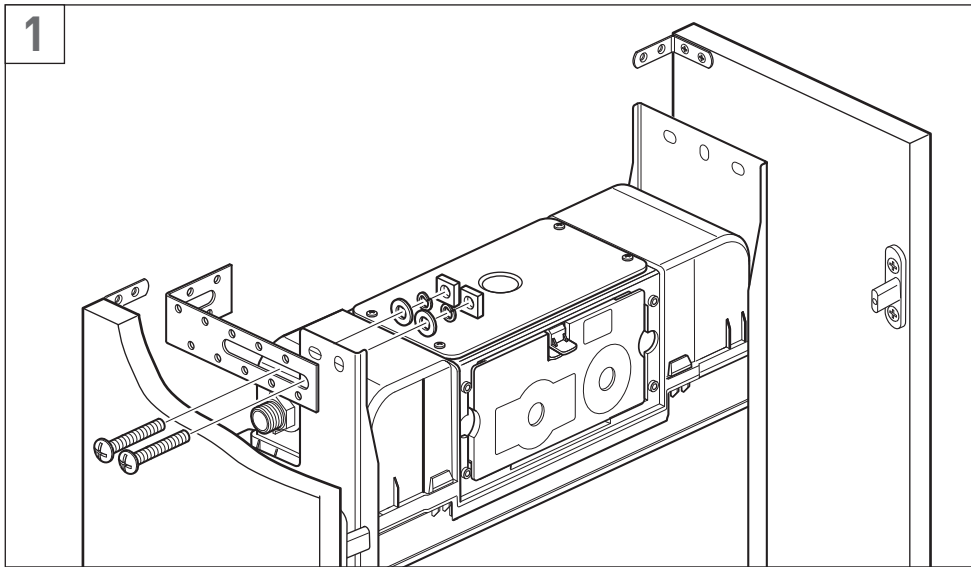
Washers  
x 4



Spring washers  
x 4

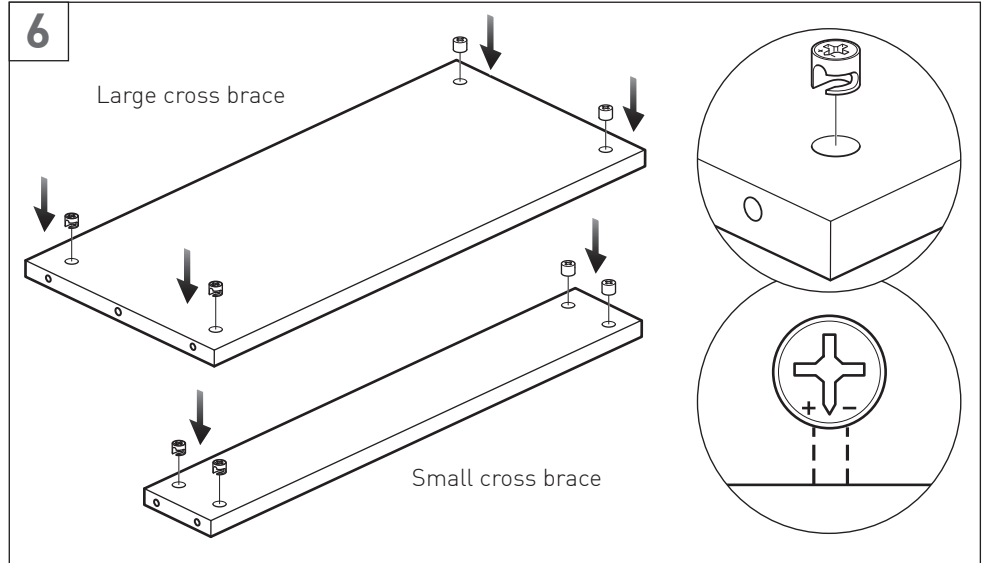


Nuts  
x 4

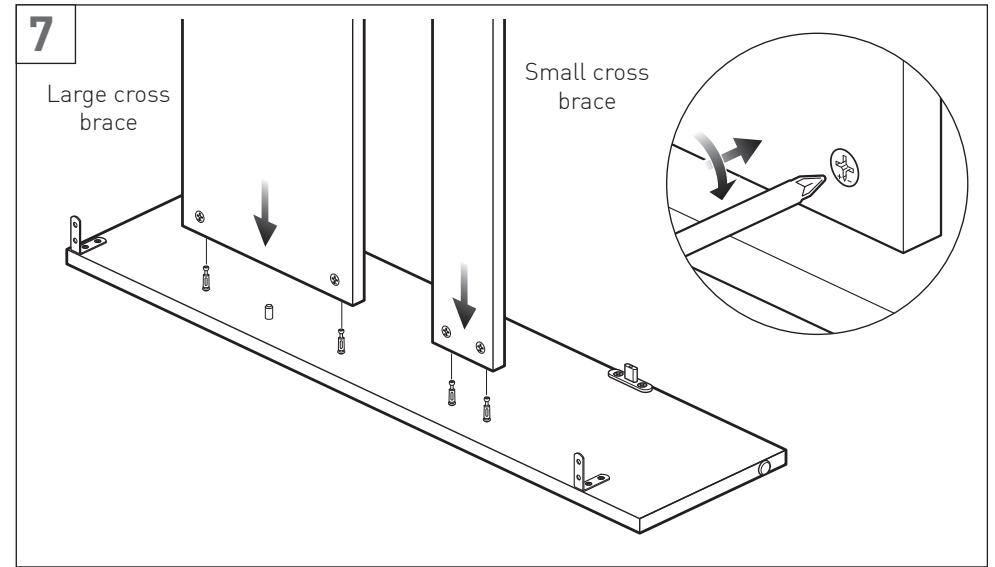


Bolt the wall brackets in position using the washers, spring washers and nuts.  
**Note:** When fitting the brackets (WG-095-37) can be fitted either in or out depending on available space. Illustration shows brackets pointing in.

# Installation

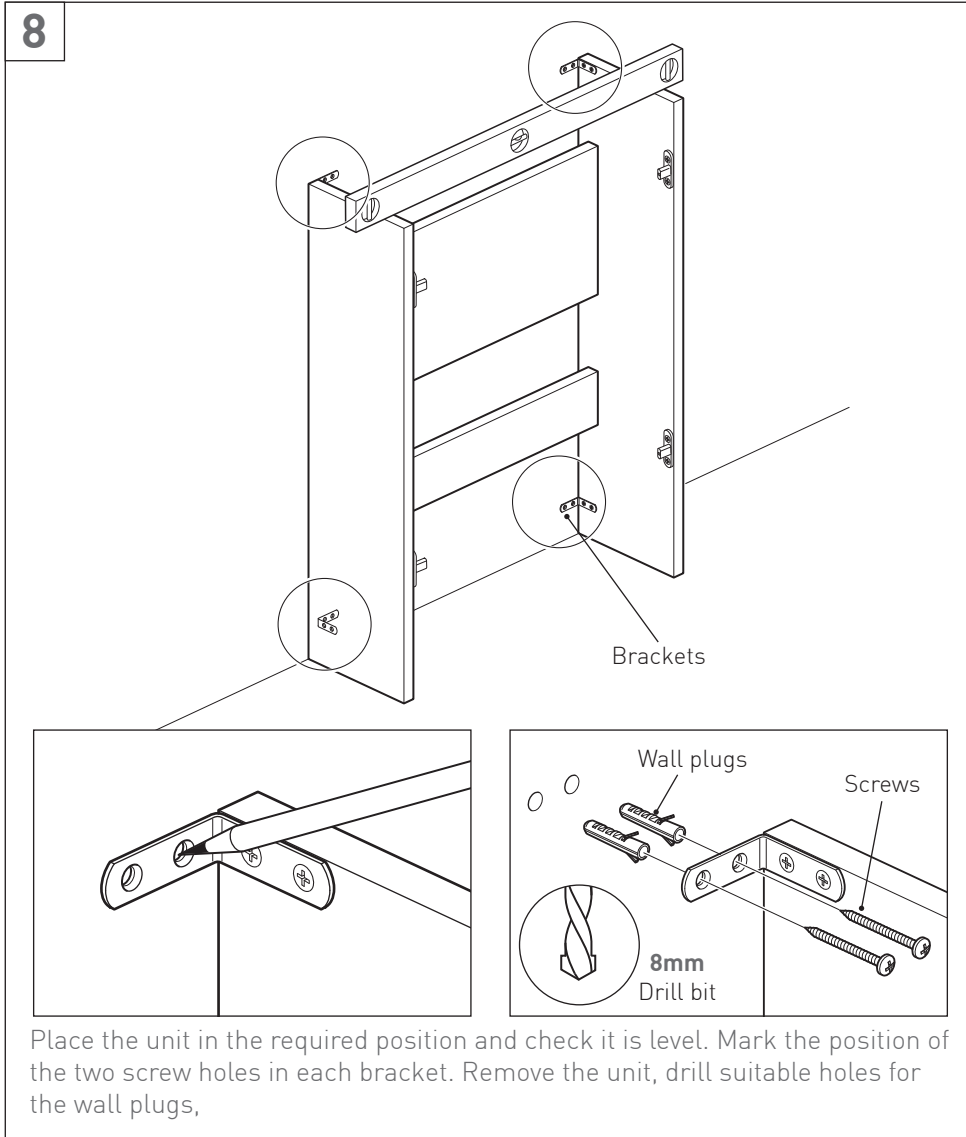


On both the large and small cross braces fit the four cams. Make sure that the arrow on the top of the cam is pointing towards the edge of the panel and the hole.



Push each of the cross braces over the dowels. With a screwdriver tighten each cam clockwise to lock the panels together. With help, stand the unit upright and push the other side panel onto the cross braces, tighten the cams.

# Installation



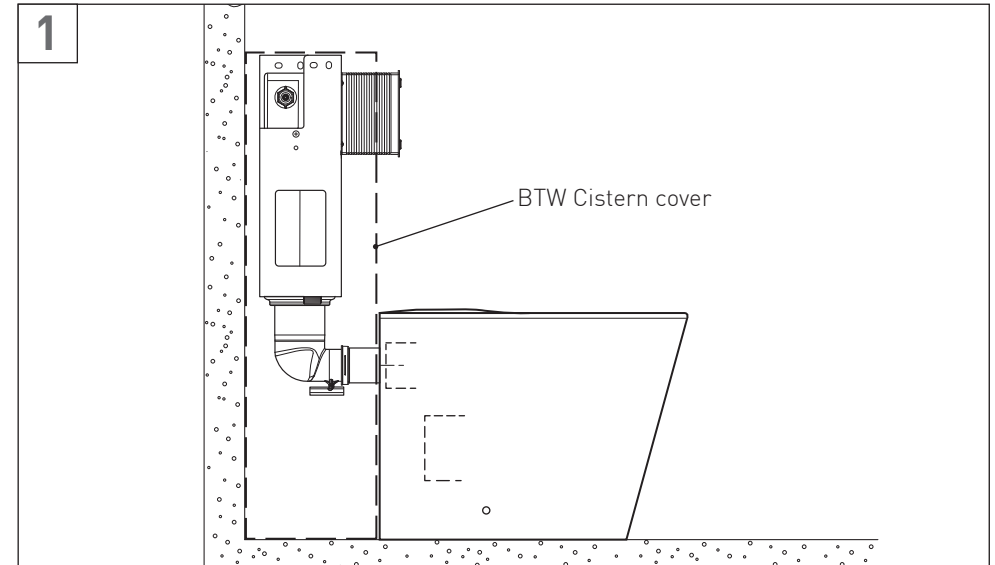
**Continue the installation for your product:**

**For WG-095S-C (old version) continue on page 11**

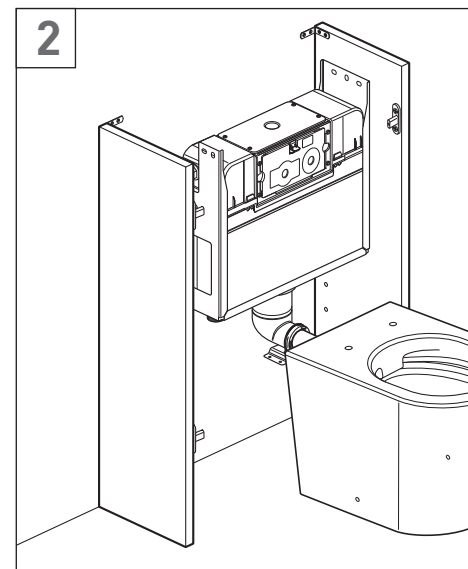
**For WG-095S-C (new version) continue on page 18**

**For WG-095S-F/C Short frame & cistern continue on page 21**

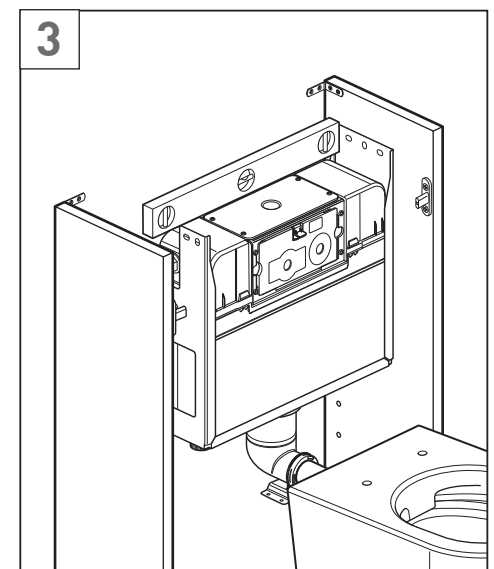
# Installation - Cistern with front mounted flush plate



Connect the inlet pipe to the cistern and then the toilet.

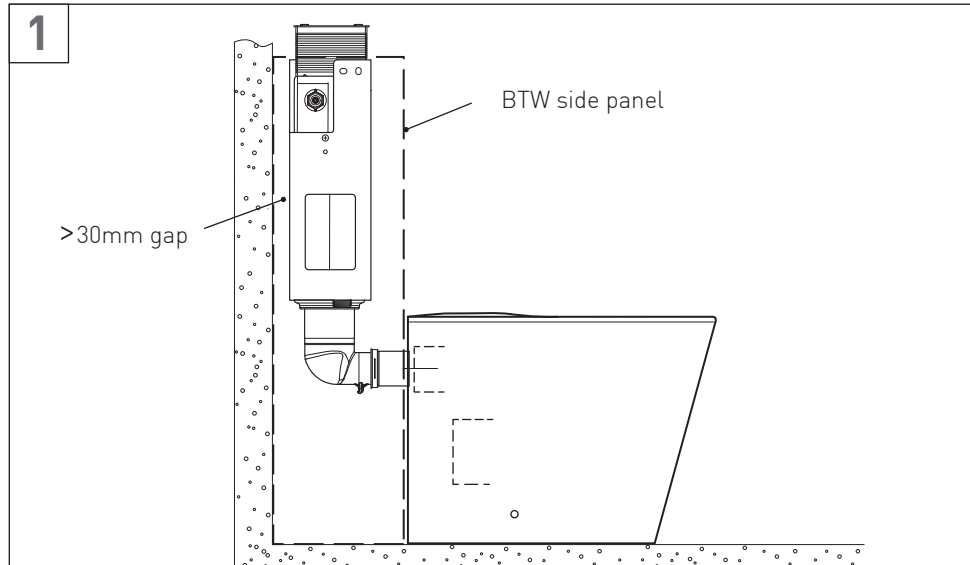


Verify that the cistern now fits properly.

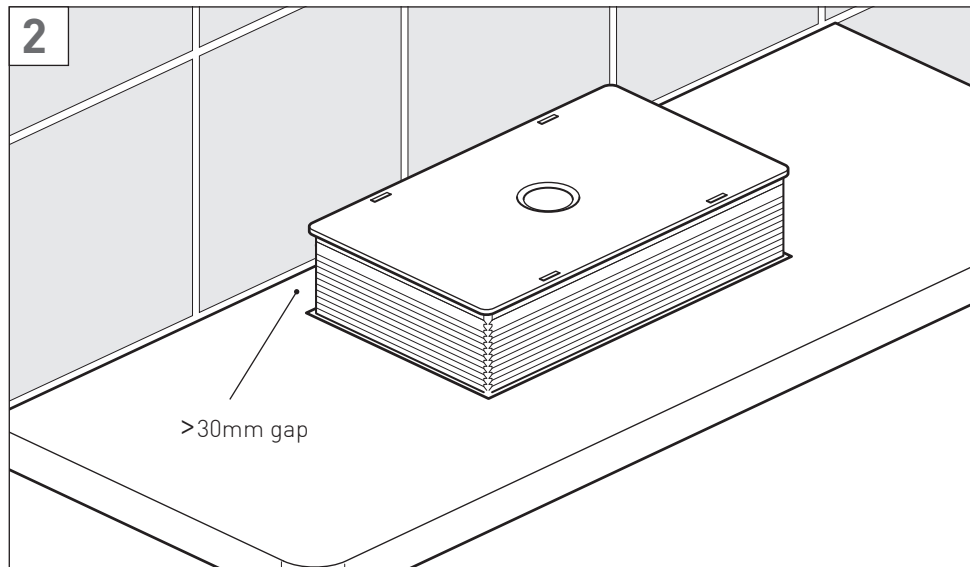


Make sure the cistern is level, and fits centrally between the side panels.

## Installation - Cistern with top mounted flush plate



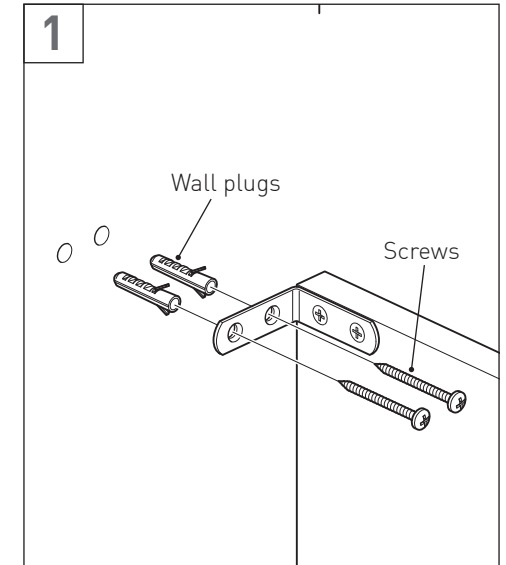
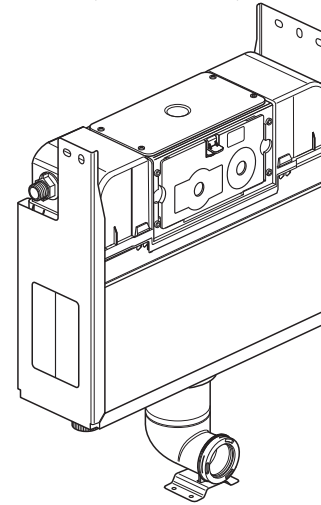
Verify that the cistern now fits properly.



Make sure sufficient space behind the cistern to allow for a gap of at least 30mm between the finished wall and the face plate box.

## Installation - Cistern

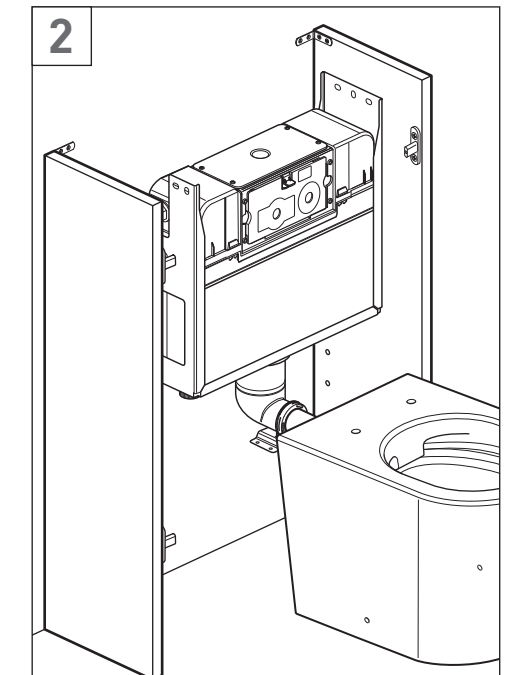
### WG-095-C (old version)



Once the holes for fitting the furniture to the wall have been drilled remove the two cross braces as they are not required for this configuration. Replace the unit and fix each bracket using two of the longer screws.

### Check Cistern Fit:

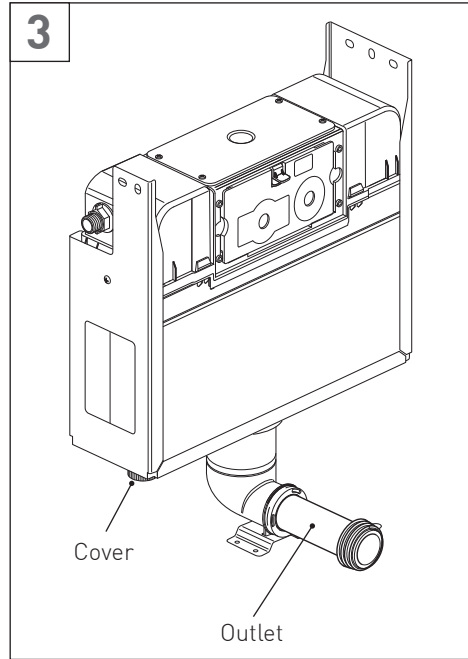
- Before installing the cistern, ensure that it will fit properly inside the furniture unit.
- Offer up the toilet pan with the cistern connected and fit the lid.
- Confirm that the blue frame and brackets comfortably fit within the unit.



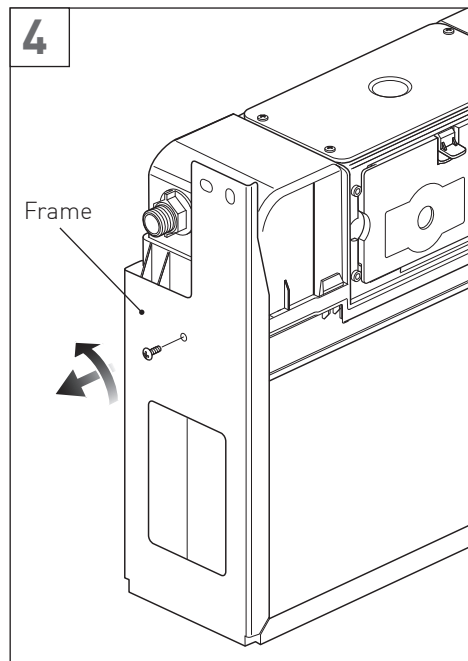
# Installation

## Adjusting for Height:

If the cistern is too tall and protrudes from the top of the furniture:  
Remove the black cistern outlet pipe and any plastic cover cap(s) from beneath the cistern.

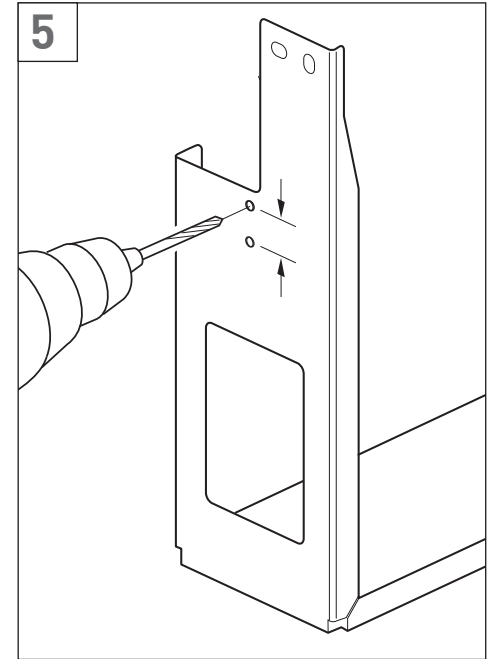


Take out the 2 screws (one either side) securing the cistern to the bracket and set them aside.



# Installation

Remove the cistern from the frame.  
Use a 6-7mm drill bit to create two new holes (one on each side), positioned 25mm above the existing holes.  
This allows the cistern to sit higher in the frame.



Replace the cistern and secure using the two screws into the new top holes.  
Reattach the plastic cover caps.  
Refit the cistern into the frame using the screws in the new holes.  
Reconnect the black pipe.

