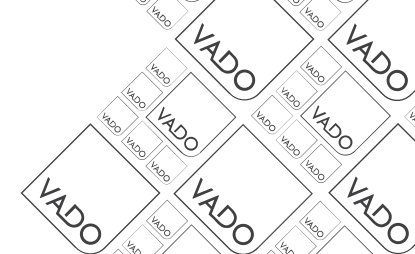




where inspiration flows

CAMEO

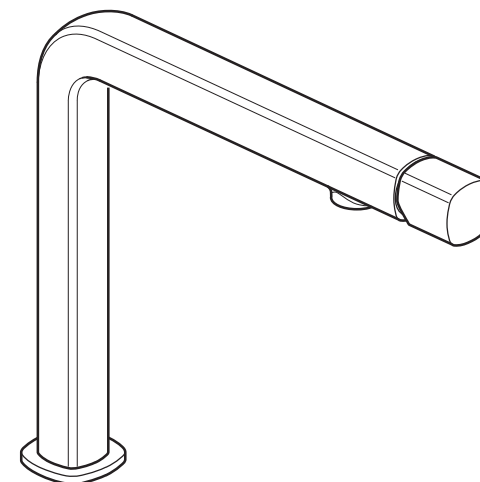
Deck mounted kitchen mixer
Installation Guide



This instruction booklet covers models:

CAM-150
(All finish options)

CAM-150



⚠ Cleaning Instructions

If these instructions are not followed, your guarantee may be invalidated.

- Clean only with water and a soft damp cloth
- Do not use any aggressive/corrosive cleaning products
- Do not use abrasive cloths

Due care needs to be taken to ensure the appearance is retained.
For further cleaning instructions, please consult this product's user guide.

Vado
Wedmore Road, Cheddar, Somerset, England BS27 3EB
tel 01934 744466 fax 01934 744345
aftersales@vado.com
www.vado.com

Keep for future reference



Important - please read

Please read these instructions carefully before starting installation and keep for future reference.

Remove all packaging and check the product for missing parts or damage before starting installation.

Any alterations made to this product and fittings may infringe water regulations and will invalidate the guarantee.

The installation must comply with all Local/National Water Supply Authority Regulations/Byelaws and Building and Plumbing Regulations.
To be installed in accordance with BS EN806.

We strongly recommend that you use a qualified and registered plumber.

General installation

This fitting is a mixing device and therefore water supplies should be reasonably balanced.

When installed, the fitting must comply with the requirements of the Water Supply (Water Fittings) Regulations 1999 and Scottish Byelaws 2004.

For further information, contact the Water Regulations department of your local water supplier (see the WRAS website www.wras.co.uk for details) or the Water Regulations Advisory Scheme by email (info@wras.co.uk) or telephone: 01495848454.

Before making any inlet pipe connections, all supply pipes MUST be thoroughly flushed to remove debris. Failure to do so could result in damage or low flow from the mixer unit. Water Supply (Water Fittings) Regulations 1999 Schedule 2 Section 13.

The fitting of isolating valves to the inlet feeds is advised for ease of maintenance.

Please take great care when installing this mixer not to damage its surface.

Please note if installing in an enclosed environment, access should be left for servicing and maintenance. No costs relating to inadequate access can be accepted.

Operating Specifications

Operating Pressure

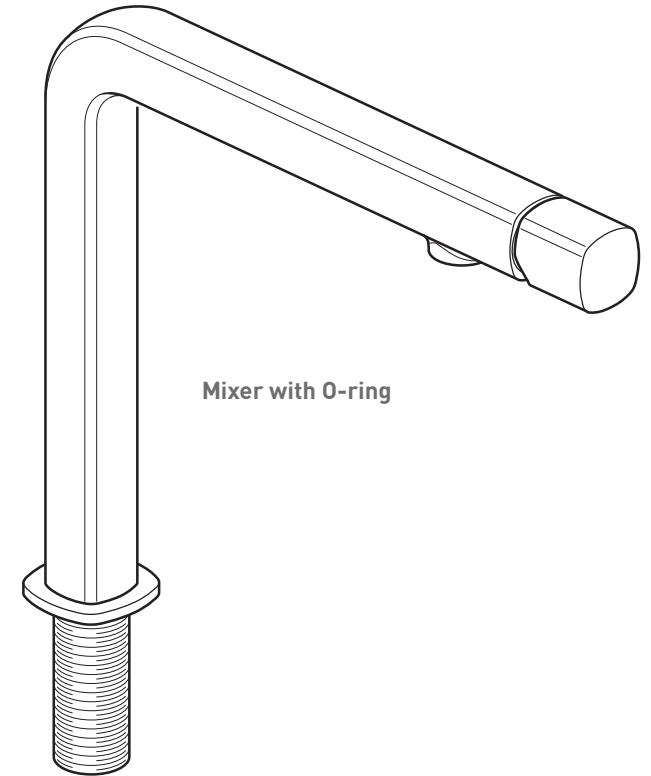
Minimum operating pressure **1 bar**

Maximum operating pressure **5 bar**

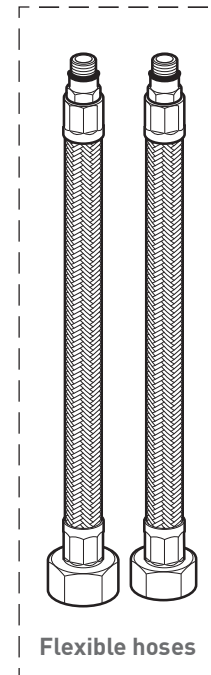
Contents of Packaging



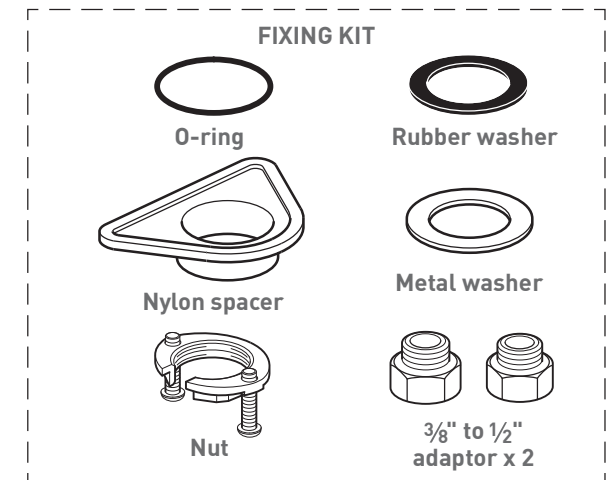
Installation guide &
User manual



Mixer with O-ring



Flexible hoses



FIXING KIT



O-ring



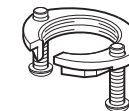
Rubber washer



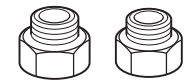
Nylon spacer



Metal washer

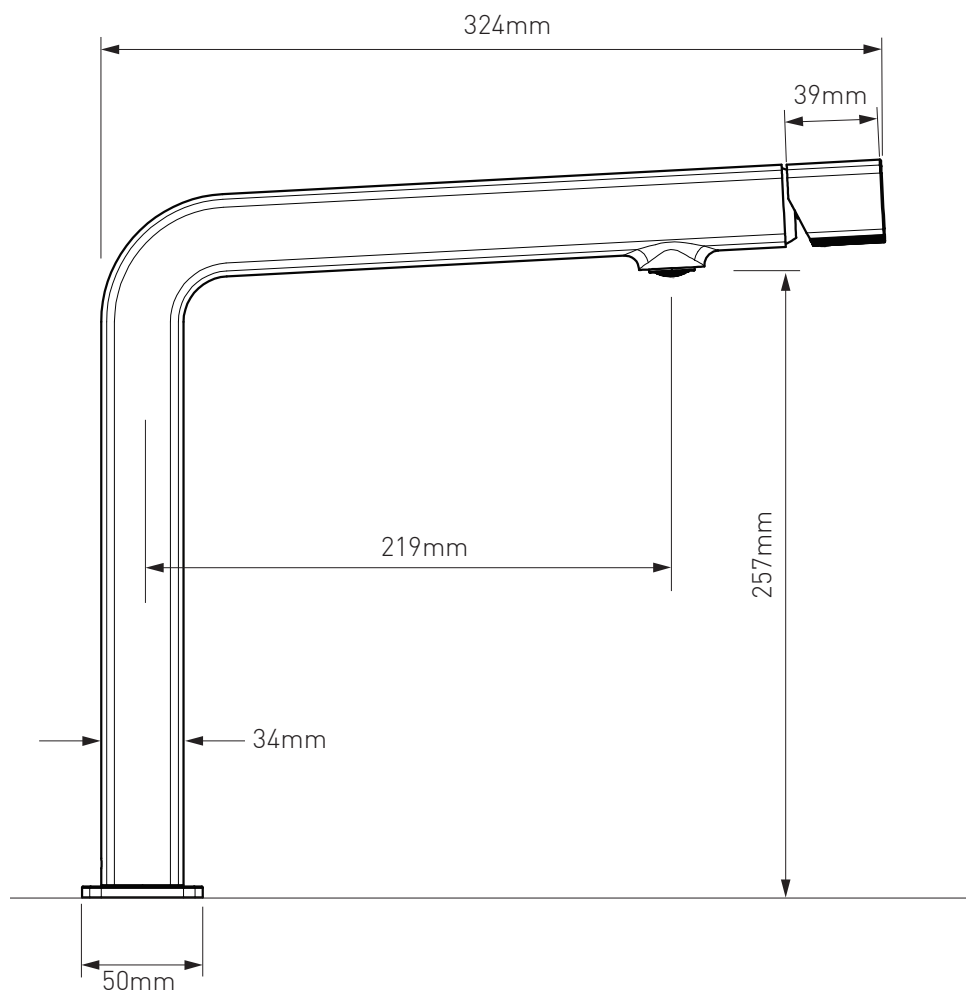


Nut

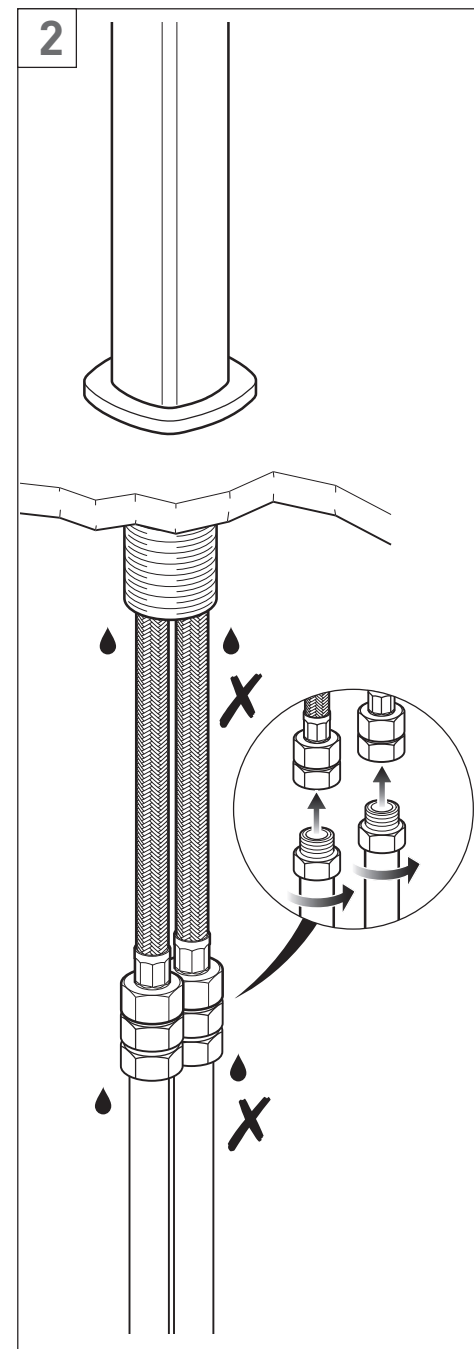
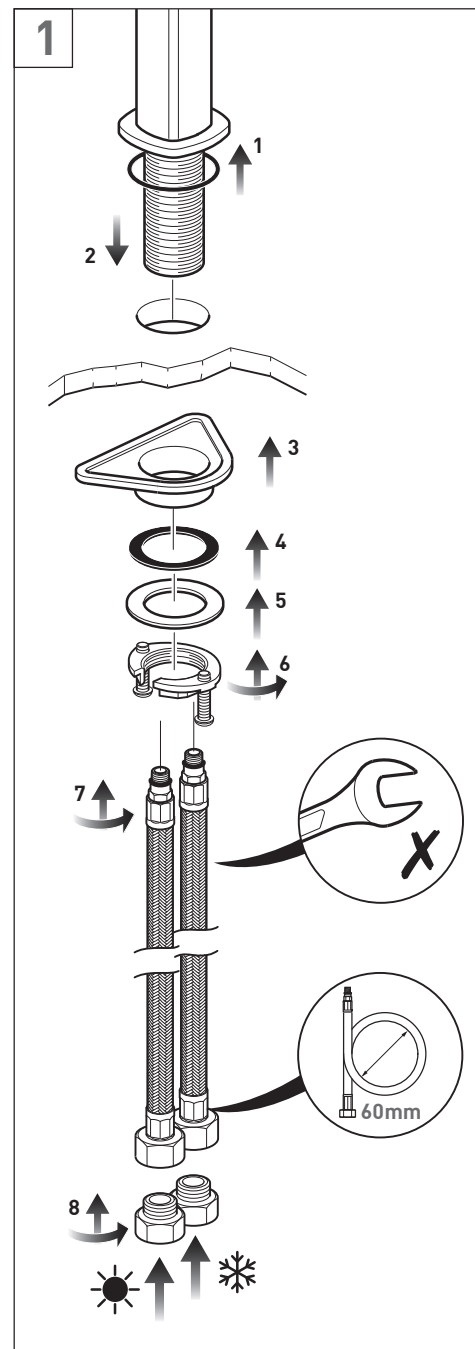


3/8" to 1/2"
adaptor x 2

Dimensions



Installation - Quick guide



Installation

Before installing your new mixer, flush through the pipe work to ensure removal of debris, turn off the water supply.

Check the O-ring is in position in the groove at the bottom of the base ring.

Position the mixer on the sink.

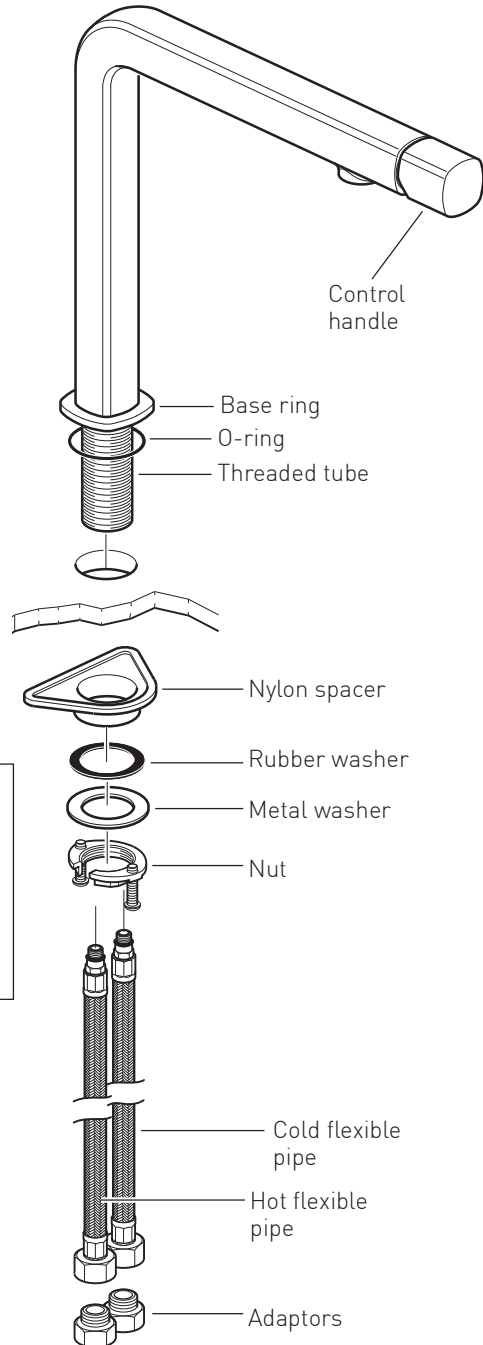
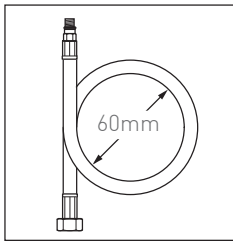
From the underside of the sink slide on the nylon spacer, rubber washer, metal washer over the threaded tube. Screw on the nut until the screws touch the metal washer. Tighten the screws to clamp the mixer to the sink.

CAUTION: Do not over tighten the screws as this may damage the sink.

Screw the two flexible pipes into the inlet connections, **and hand tighten.**

Screw the adaptors on to the ends of the flexible tails and connect the water supply. The hot water should be connected to the left pipe and cold to the right pipe.

CAUTION: When installing the flexible hoses **do not** kink, or bend them more than the 60mm diameter as shown right.



Notes: