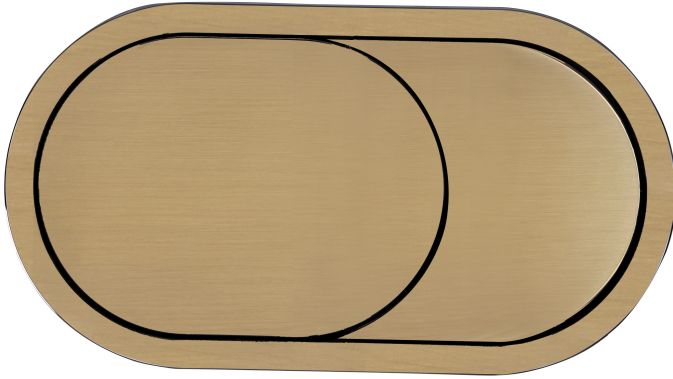


TECHNICAL DATA SHEET

Brushed Brass Furniture Flush Button - TR9041

NO.	Description	Product Code	Fixings included	Gross Weight	Net Weight
1	Furniture Flush Button	TR9041	YES	0.35kg	0.25kg

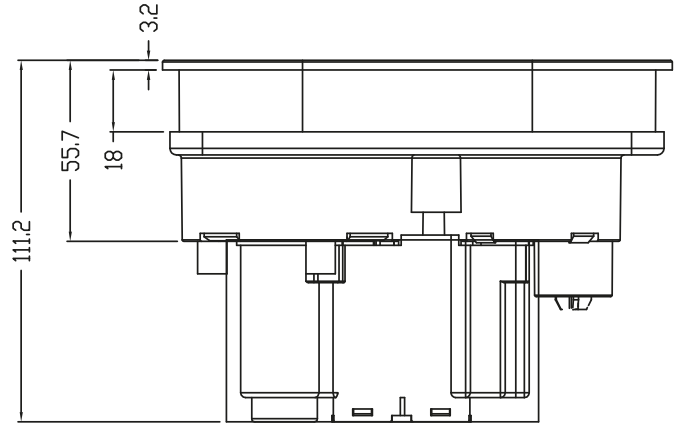
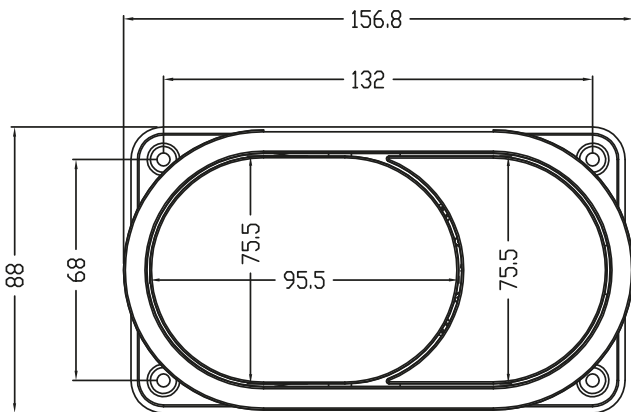


Spares Codes

Furniture Flush Plate Template - SP18932
 Furniture Flush Plate Fixing Pack - SP19238

DIMENSIONS

DIAGRAMS NOT TO SCALE | ALL DIMENSIONS IN MM | TOLERANCE OF ± 5 MM



*Dimensions are subject to change, customers are advised to measure actual product before commencing installation.

FAQs

Q - What is the flush plate made from?
 A - PVD Finish Plated ABS

Key Dimensions Descriptions	Key Dimensions (mm)
Front to Back	111.2mm
Left to Right	156.8mm
Height	88mm