

148mm WALL SHOWER ARM INSTALLATION GUIDE

TECHNICAL SPECIFICATIONS:

Operating Pressure:

Min: 35kPa/0.35bar

Max: 1000kPa/10bar*

Opt: 100kPa/1bar – 500kPa/5bar

Operating Temperature:

Hot: Max 80°C*

Cold: Min 5°C

Inlet Connections:

All ½" BSP

**Regional specific regulations apply.*

Please refer to your warranty statement at

www.methven.com



(Head not supplied)

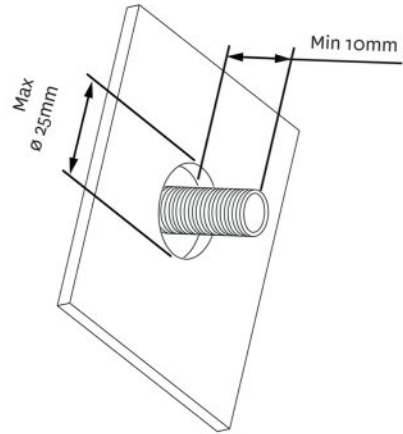
Methven warrants this product against manufacturing defects and that it is suitable for use under the general operating conditions specified in this instruction sheet. However, regional regulations apply and may affect your warrant. Please refer to **www.methven.com** or call customer service for full details.

New Zealand
0800 804 222

Australia
1300 638 483

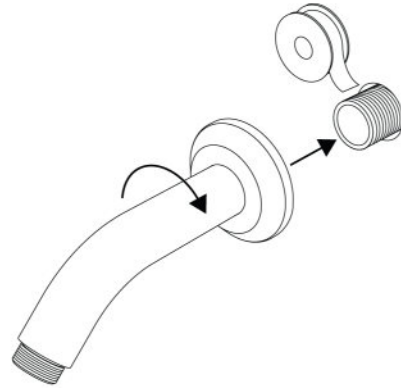
United Kingdom
0800 195 1602

1.



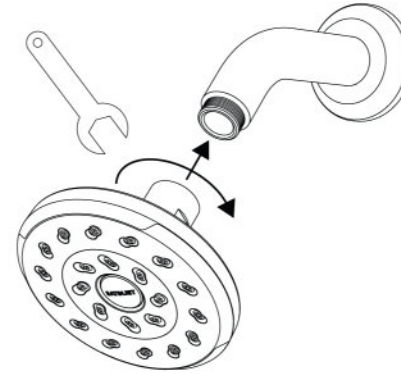
Install a 1/2" male threaded connection at the desired height on wall, ensuring that a minimum of 10mm of thread protrudes past the finished wall.

2.



Apply plumbing tape to pipe. Screw arm onto pipe ensuring that the arm ends in the correct position.

3.



Screw shower head onto arm.

4.



Tilt and rotate the shower head to the desired position.

CLEANING

To clean the chrome-plated surfaces use a soft cloth, soap and warm water. Never use cleaning agents that contain a corrosive acid or a scouring additive.