

# Technical Data Sheet

# ROPER RHODES®

Craft Wall Mounted Basin Mixer - T331902

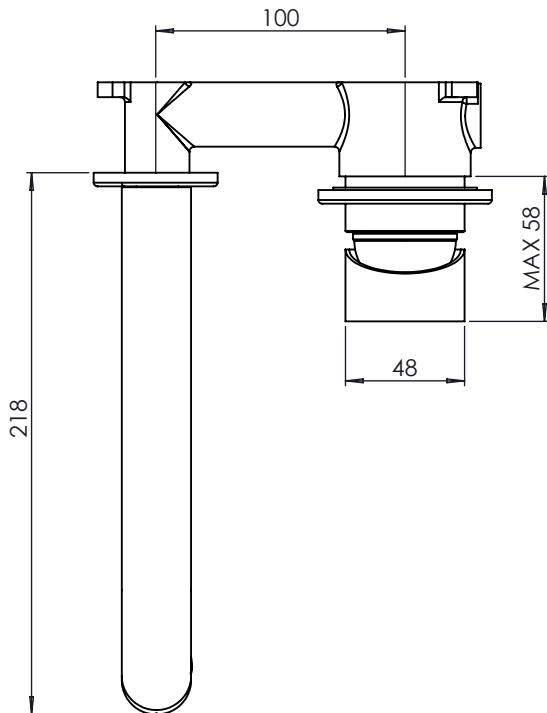
No.	Description	Code	Fixings Included
1	Craft Wall Mounted Basin Mixer	T331902	YES



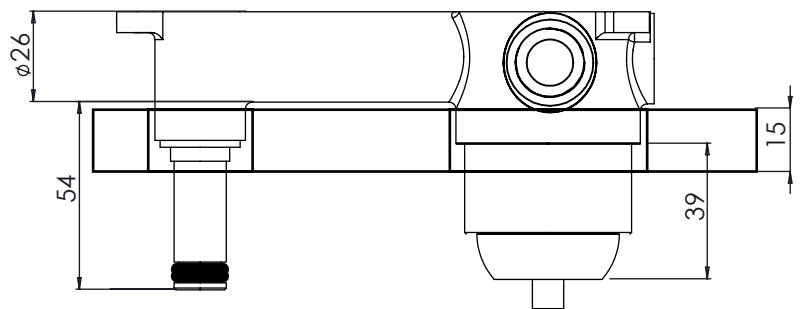
Min Pressure:	0.2bar
0.2bar	5.4 litres / min
0.3bar	6.3 litres / min
0.4bar	7.1 litres / min
0.5bar	7.9 litres / min
1bar	10.8 litres / min
2bar	14.9 litres / min

## Dimensions:

Diagrams not to scale. All dimensions in mm (tolerance of +/-5mm)



Inlets Side and Bottom



\*Dimensions are subject to change, customers are advised to measure actual product before commencing installation.

## FAQs

**What is the minimum depth of wall cavity?** 26mm

**Does the product come fitted with an aerator?** Yes, the aerator comes pre-installed but can be replaced.

**What is the size of the tap tail connection?** The tap tails have a standard 1/2" BSP fixing.

**What is the minimum recommended operating pressure of the tap?** 0.2 bar