

Technical Data Sheet

ROPER RHODES®

Scape Shower Systems

No.	Description	Code	Fixings Included
1	Scape Dual Function Shower System With Shower Head & Handset	SVSET143	YES



Inlet Pressure	Flow Rate (l/min)
0.5bar	15.91
1bar	22.50
2bar	31.82
3bar	35.00
4bar	45.00
5bar	49.86

Flow from valve may vary depending on accessories and domestic supply.

Components - SVSET84

Diagrams not to scale. All dimensions in mm (tolerance of +/-5mm)

- Dual Function Thermostatic Shower Valve - SV3806
- 415mm Brass Fixed Arm - SVARM05
- 250mm Stainless Steel Shower Head - SVHEAD15
- Air-drive Single Function Shower Handset - SVHEAD28
- Brass Shower Hose - SVHOSE01
- Outlet Elbow With Shower Handset Holder - SVACCS08

FAQs

How long is the shower hose? 1.5m

What is the minimum pressure for the valve? 0.3bar

What is the valve connection size? 1/2"

How long is the thread? 40mm

Technical Data Sheet

Thermostatic Concealed Valves

ROPER RHODES®

No.	Description	Code	Fixings Included
1	Thermostatic Dual Function Valve	SV3806	YES

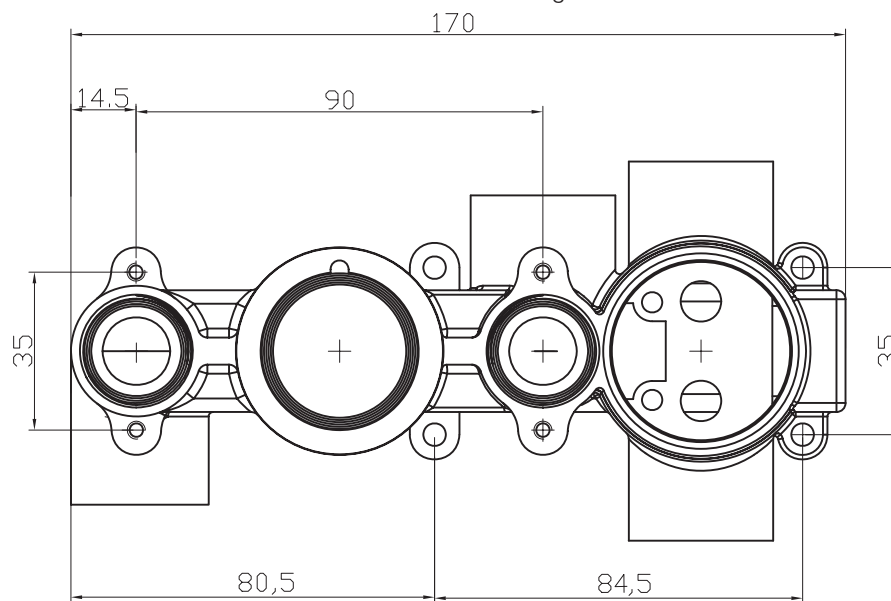


Inlet Pressure	Flow Rate (l/min)
0.3bar	12.32
0.4bar	14.23
0.5bar	15.91
1bar	22.50
2bar	31.82
3bar	35.00

Flow from valve may vary depending on accessories and domestic supply.

Dimensions - SV3806

Diagrams not to scale. All dimensions in mm (tolerance of +/-5mm)



*Dimensions are subject to change, customers are advised to measure actual product before commencing installation.

FAQs

What is included in the valve box? The valve, a cover plate, a set of handles and trim rings.

How many fixing holes does the valve have? Four - two on the bottom and two on top of the valve.

What is the size of the connections? The valve uses 1/2" connections.