

MOL BF C

MOLIDA Tap Range

Molida Bath Filler Chrome



Features:

- Long life 1/4 turn ceramic disc valves for added durability and smooth control.
- Robust metal fixing nut to secure the tap in place reducing the risk of loosening over time.
- A hard-wearing, flawless, scratch resistant chrome finish that lasts for years. Salt spray tested to ensure added durability.
- 10 year parts and 1 year labour guarantee for peace of mind.
- Also available in other finishes.

Product Certifications:



WRAS Certificate No: 2204916
WRAS Expiry Date: 30/04/2027

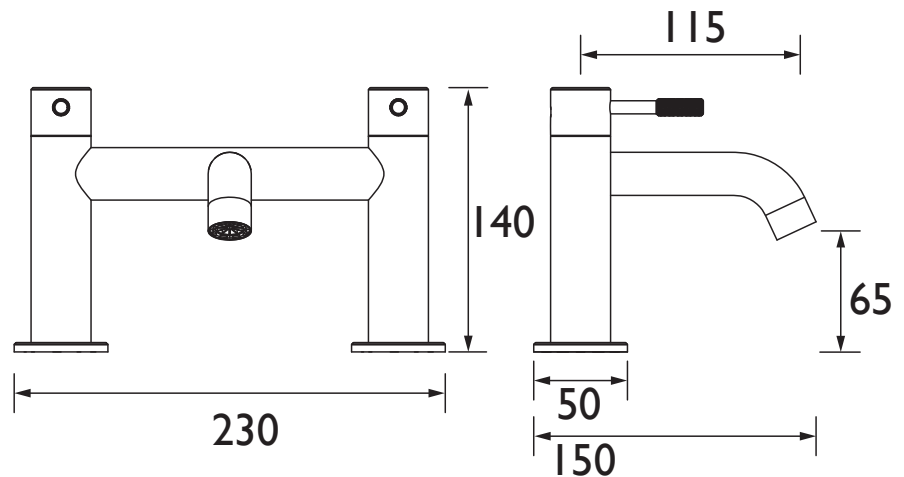
For more products, visit our website:
<http://www.bristan.com>



Specification

| | |
|-----------------------------------|------------------------------------|
| Product Type: | Bathroom Taps |
| Main Construction Material: | Brass |
| Mount Type: | Deck |
| Handle Type: | Lever Handles |
| Connection Inlet: | 3/4" BSP |
| Connection Outlet: | M24 Aerator |
| Number of Tap Holes: | 2 |
| Valve/Cartridge Type: | 3/4" Ceramic Disc Valve - 1/4 turn |
| Plumbing System Requirements: | Suitable for all plumbing systems |
| Minimum Dynamic Pressure (bar): | 0.2 bar |
| Maximum Dynamic Pressure (bar): | 5 bar |
| Maximum Hot Water Temperature °C: | 60°C |
| Maximum Static Pressure (bar): | 10 bar |
| Flow Type: | Single |
| Isolation Included: | No |

Dimensions (measurements in mm)



Flow Rates (l/min)

| System Pressure (bar) | 0.2 | 0.5 | 1 | 2 | 3 | 5 |
|-----------------------|------|------|------|------|------|-------|
| MOL BF C (mixed) | 19.9 | 32.8 | 46.9 | 66.8 | 80.3 | 103.7 |

TECHNICAL DATA SHEET



BRISTAN

D2

MOL BSM BB

MOLIDA Tap Range Molida Bath Shower Mixer Brushed Brass



Features:

- Multi function rub clean handset - limescale and debris build-up is quickly and easily removed by rubbing a finger or a cloth over the nozzles.
- Long life 1/4 turn ceramic disc valves for added durability and smooth control.
- Robust metal fixing nut to secure the tap in place reducing the risk of loosening over time.
- On-trend brushed brass finish to make a statement in your bathroom.
- 10 year parts and 1 year labour guarantee for peace of mind.

Product Certifications:



WRAS Certificate No: 2205023
WRAS Expiry Date: 31/05/2027



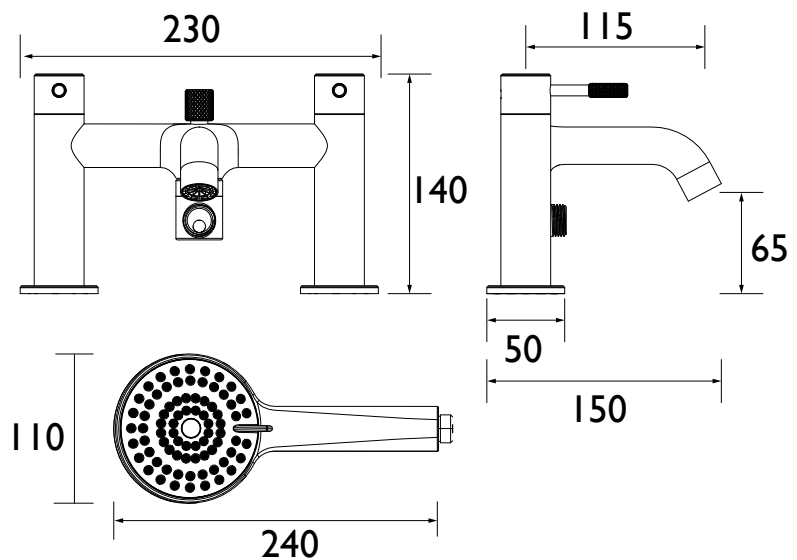
For more products, visit our website:
<http://www.bristan.com>



Specification

| | |
|-----------------------------------|------------------------------------|
| Product Type: | Bathroom Taps |
| Main Construction Material: | Brass |
| Mount Type: | Deck |
| Handle Type: | Lever Handles |
| Connection Inlet: | 3/4" BSP |
| Connection Outlet: | M24 Aerator |
| Number of Tap Holes: | 2 |
| Hose Length (mm): | 1500 |
| Valve/Cartridge Type: | 3/4" Ceramic Disc Valve - 1/4 turn |
| Plumbing System Requirements: | Suitable for all plumbing systems |
| Minimum Dynamic Pressure (bar): | 0.2 bar |
| Maximum Dynamic Pressure (bar): | 5 bar |
| Maximum Hot Water Temperature °C: | 60°C |
| Maximum Static Pressure (bar): | 10 bar |
| Flow Type: | Single |
| Isolation Included: | No |

Dimensions (measurements in mm)



Flow Rates (l/min)

| System Pressure (bar) | 0.2 | 0.5 | 1 | 2 | 3 | 5 |
|-----------------------------|------|------|------|------|------|------|
| Through Bath Filler (mixed) | 12.3 | 21.6 | 32.3 | 44.7 | 54.8 | 70.7 |
| Through Handset (mixed) | 3.4 | 5.8 | 8.5 | 12.9 | 16.5 | 22.8 |

TECHNICAL DATA SHEET



BRISTAN

D2