

MZ SNK EF C

MONZA Tap Range

Monza Easyfit Mono
Sink Mixer Chrome



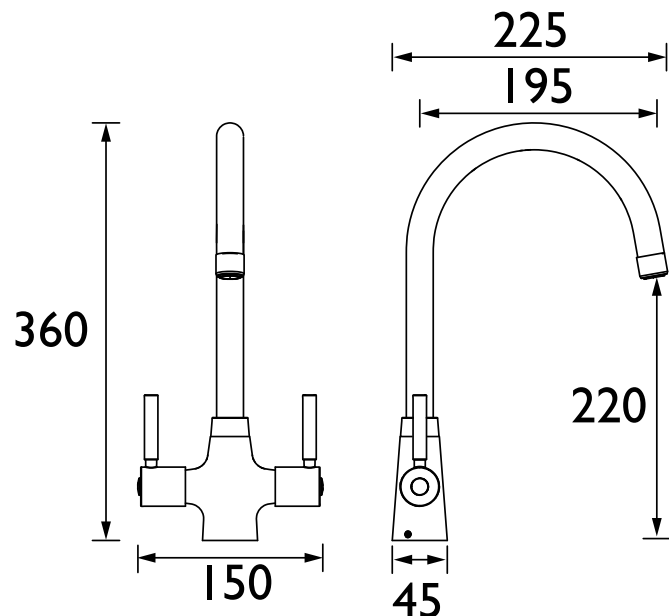
Specification

Product Type:	Kitchen Taps
Main Construction Material:	Brass
Mount Type:	Deck
Handle Type:	Lever
Connection Inlet:	1/2" BSP Flexible Tails with Isolation Valves
Connection Outlet:	M22 Aerator
Number of Tap Holes:	1
Valve/Cartridge Type:	1/2" Ceramic Disc Valve - 1/4 turn
Plumbing System Requirements:	Suitable for all plumbing systems, ideally balanced
Minimum Dynamic Pressure (bar):	0.3 bar
Maximum Dynamic Pressure (bar):	5 bar
Maximum Hot Water Temperature °C:	60°C
Maximum Static Pressure (bar):	10 bar
Flow Type:	Single
Isolation Included:	Yes

Features:

- Unique patented top fix design, for simple installation from above the sink.
- Simply drop and twist the top fix base into the tap hole from above, and lock into place with the Allen key provided.
- Two supplied isolation valves and flexi tails mean you can connect to the water supply at this point and isolate the base.
- Push the tap on to the base and secure into position with the supplied Easyfit tool and screws.
- Everything you need in the box including an Allen key, isolation valves, Top Fix Easyfit base, Easyfit tool and flexi tails

Dimensions (measurements in mm)



Product Certifications:



WRAS Certificate No: 2012928
WRAS Expiry Date: 31/12/2025



For more products, visit our website:
<http://www.bristan.com>



Flow Rates (l/min)

System Pressure (bar)	0.3	0.5	1	2	3	5
MZ SNK EF C (mixed)	9.5	13	19	27.4	33.7	43.7

TECHNICAL DATA SHEET



BRISTAN

D12