

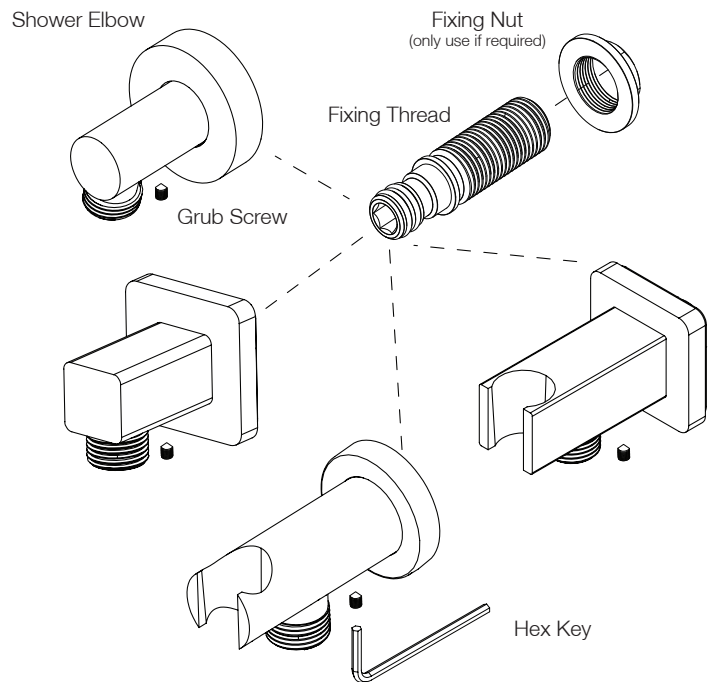
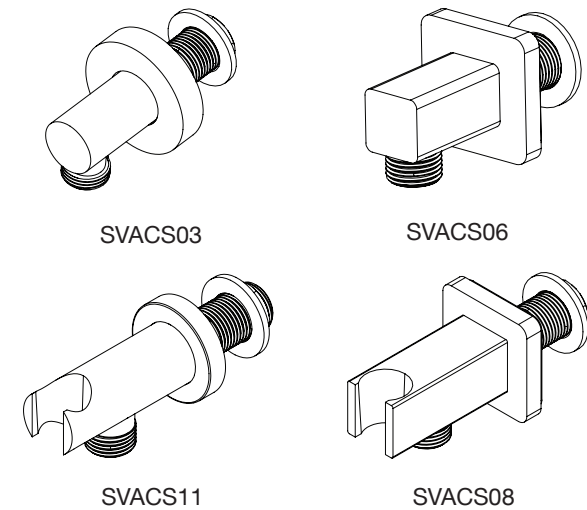
# Installation Instructions

Wall Elbow and Elbow with Handset Holder

ROPER RHODES®

This item must be installed by a competent person and in accordance with building regulations.

The following instructions are applicable to all products shown below:



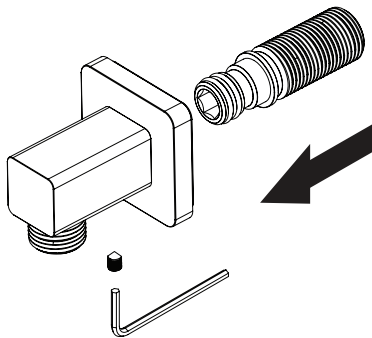
## About this product

All wall elbows / handset holders are supplied with a fixing thread that can be removed and easily connected to the plumbing supply. Once in place, the elbow can be reconnected and secured.

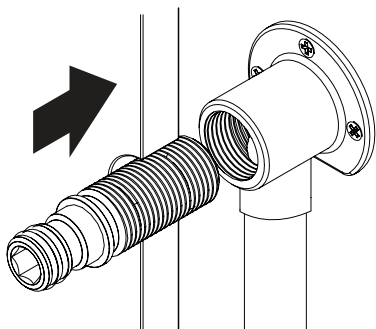
## Instructions

Prior to installation: Ensure water supply is turned off before commencing work.

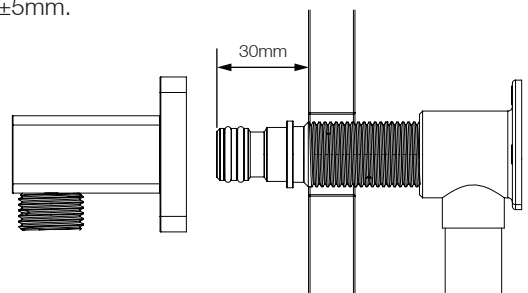
- 1** Remove elbow from the fixing thread via grub screw using a 2.5mm hex key.



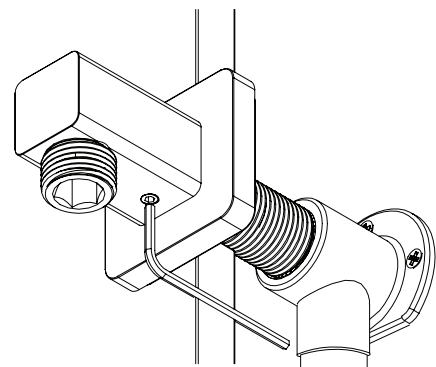
- 2** Connect fixing thread to plumbing fitting. (Diagram shows use of plumbing elbow - not supplied) Create a seal using PTFE tape.



- 3** For square elbows, ensure there is 30 mm ( $\pm 1$ mm) of the fixing thread in front of finished surface to allow wall elbow to be attached securely. Round elbows have an adjustable plate, which gives a tolerance of  $\pm 5$ mm.



- 4** Once final surface is in place, assemble the wall elbow and secure with grub screw.



**NOTE:** If the wall elbow is positioned in an area subject to frequent and heavy moisture, it may be required to seal the outer edge of the elbow with silicone.