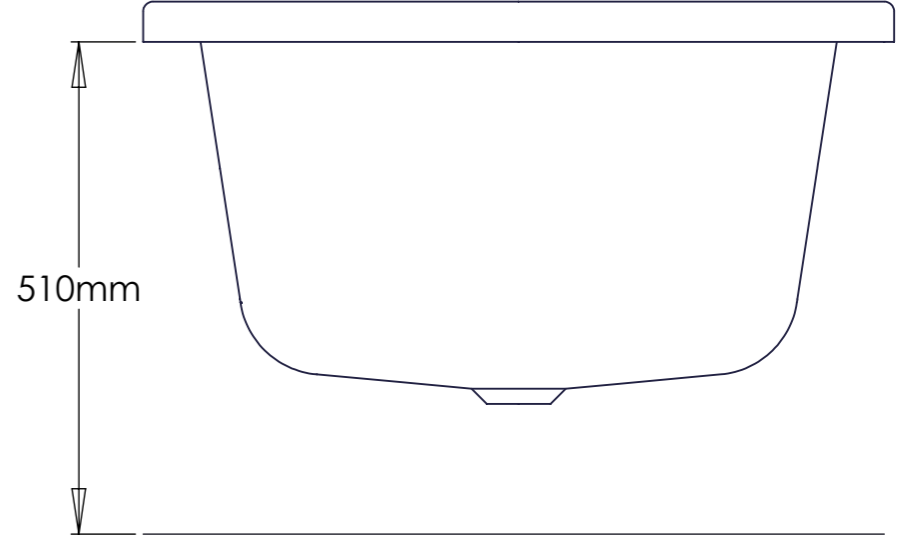
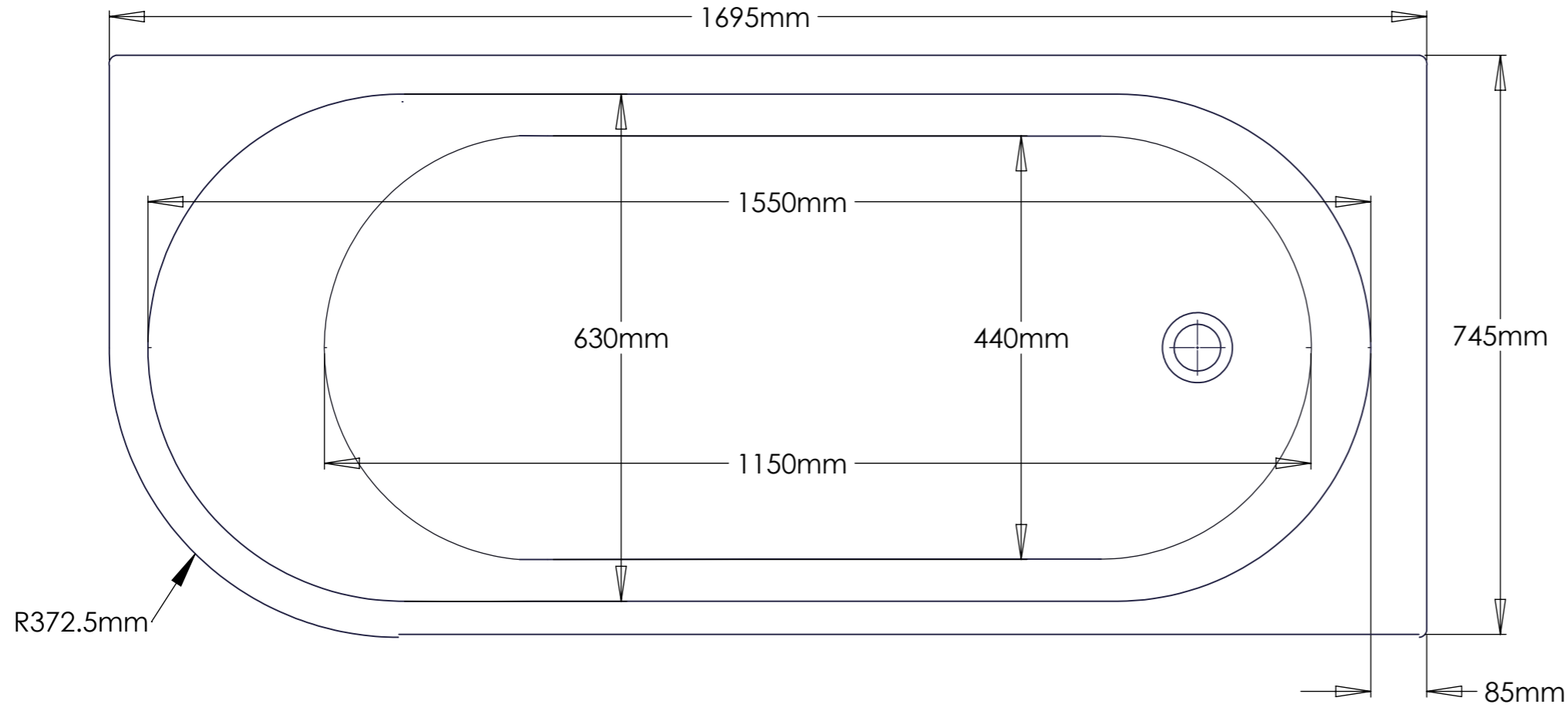


THE INFORMATION CONTAINED IN THIS DRAWING IS THE SOLE PROPERTY OF TROJAN PLASTICS. ANY REPRODUCTION IN PART OR AS A WHOLE WITHOUT THE WRITTEN PERMISSION OF TROJAN PLASTICS IS PROHIBITED.

	NAME	SIGNATURE	DATE	
DRAWN	P.CALLAGHAN		31/10/16	UNLESS OTHERWISE SPECIFIED: DIMENSIONS ARE IN MILLIMETERS SURFACE FINISH: TOLERANCES: ±5mm LINEAR: ANGULAR:
CHK'D				
APPV'D				
MFG				
Q.A				
				FINISH:
				MATERIAL: 4mm ACRYLIC
				DEBUR AND BREAK SHARP EDGES
				WEIGHT:
DO NOT SCALE DRAWING			REVISION : 2	

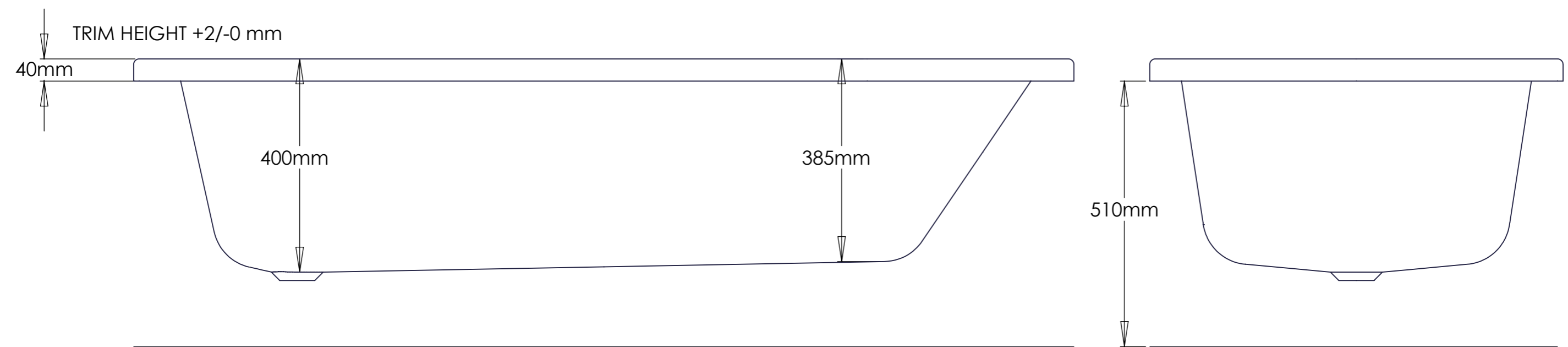
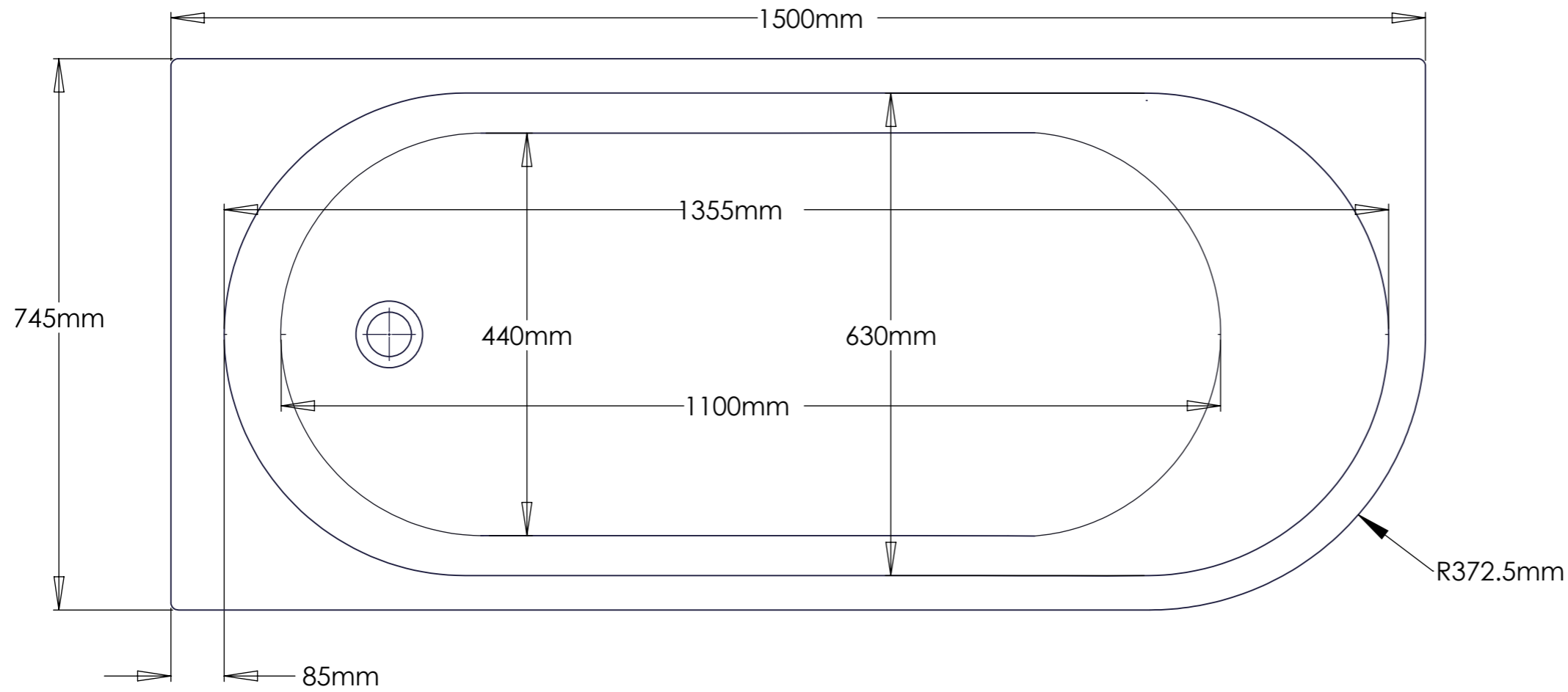
IF IN DOUBT ASK!	FINISH SIZE:
TITLE: J_SHAPE_LH_BATH 1695 x 745	
DWG NO. PD_000002	A4
SCALE	SHEET 1 OF 1



THE INFORMATION CONTAINED IN THIS DRAWING IS THE SOLE PROPERTY OF TROJAN PLASTICS. ANY REPRODUCTION IN PART OR AS A WHOLE WITHOUT THE WRITTEN PERMISSION OF TROJAN PLASTICS IS PROHIBITED.

	NAME	SIGNATURE	DATE	
DRAWN	P.CALLAGHAN		31/10/16	UNLESS OTHERWISE SPECIFIED: DIMENSIONS ARE IN MILLIMETERS SURFACE FINISH: TOLERANCES: ±5mm LINEAR: ANGULAR:
CHK'D				
APPV'D				
MFG				
Q.A				
				FINISH:
				MATERIAL: 4mm ACRYLIC
				DEBUR AND BREAK SHARP EDGES
				WEIGHT:
			DO NOT SCALE DRAWING	REVISION : 2

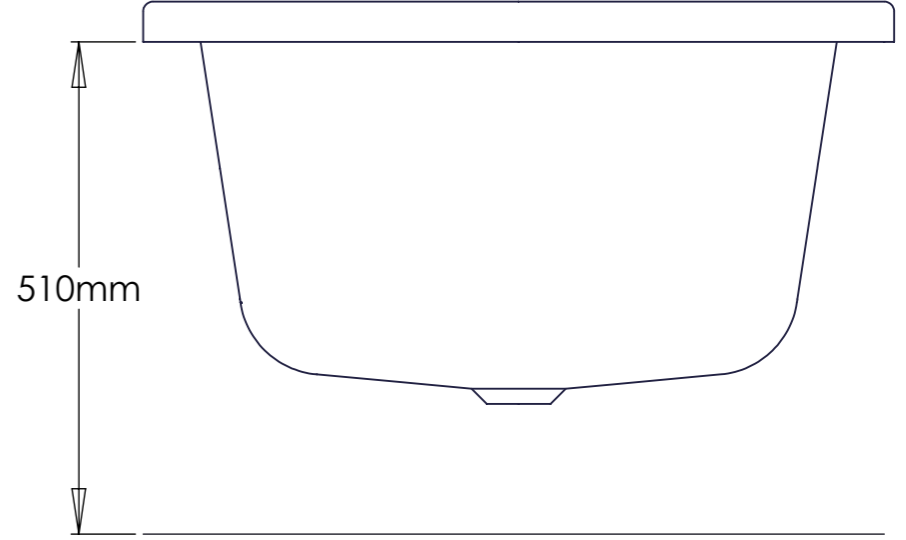
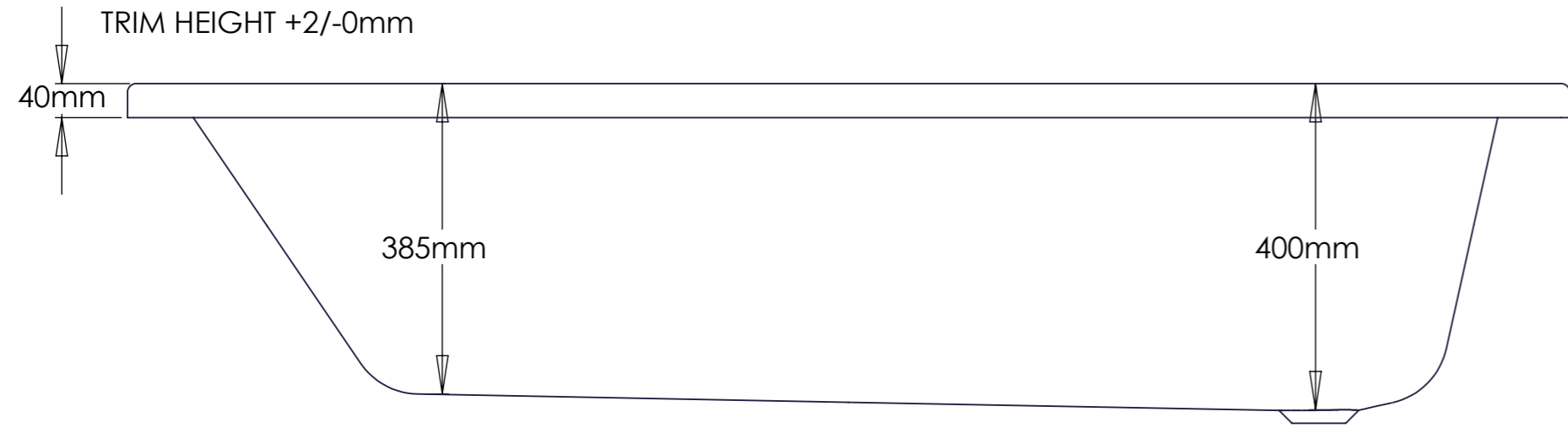
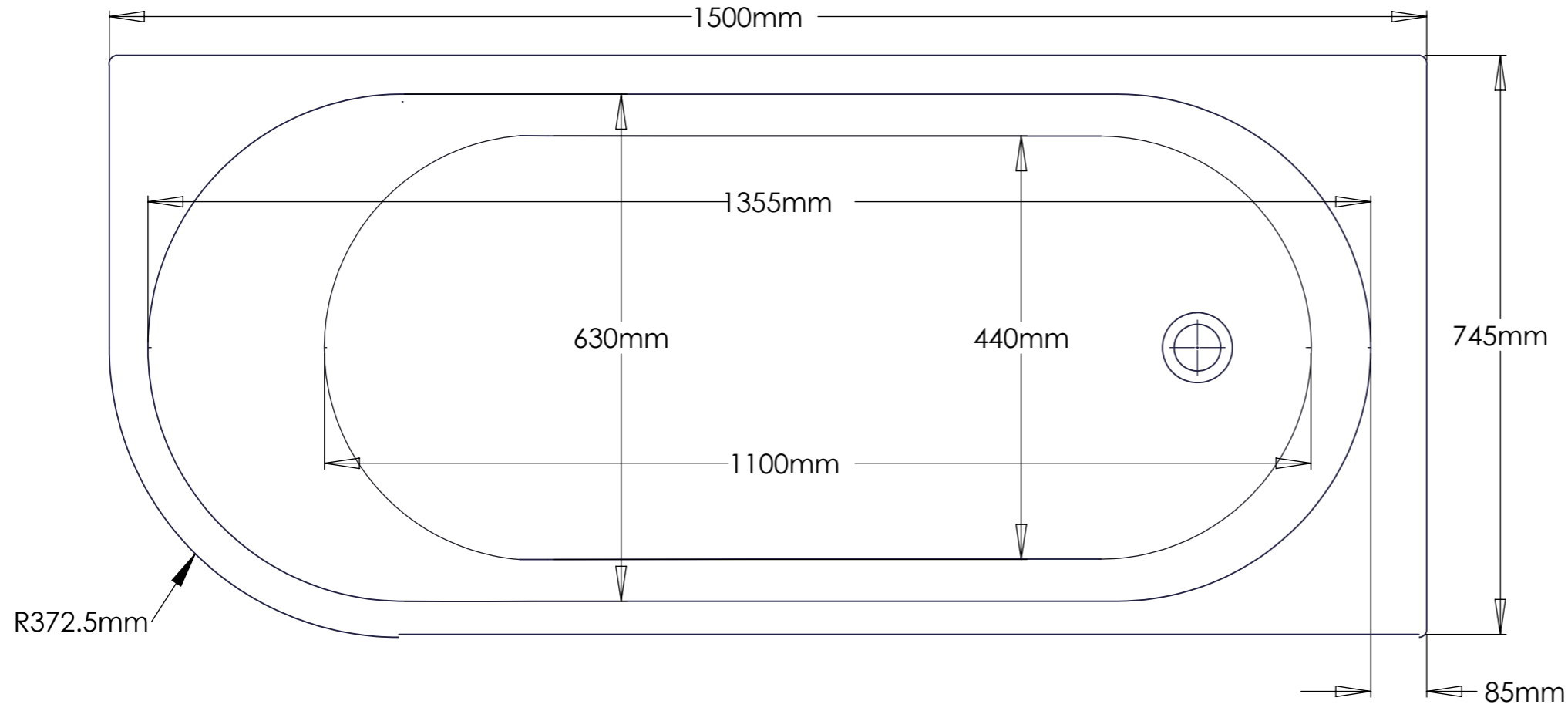
IF IN DOUBT ASK!	FINISH SIZE:
TITLE: J_SHAPE_RH_BATH 1695 x 745	
DWG NO. PD_000003	A4
SCALE	SHEET 1 OF 1



THE INFORMATION CONTAINED IN THIS DRAWING IS THE SOLE PROPERTY OF TROJAN PLASTICS. ANY REPRODUCTION IN PART OR AS A WHOLE WITHOUT THE WRITTEN PERMISSION OF TROJAN PLASTICS IS PROHIBITED.

	NAME	SIGNATURE	DATE	
DRAWN	P.CALLAGHAN		31/10/16	UNLESS OTHERWISE SPECIFIED: DIMENSIONS ARE IN MILLIMETERS SURFACE FINISH: TOLERANCES: ±5mm LINEAR: ANGULAR:
CHK'D				
APPV'D				
MFG				
Q.A				
				FINISH:
				MATERIAL: 4mm ACRYLIC
				DEBUR AND BREAK SHARP EDGES
				WEIGHT:
DO NOT SCALE DRAWING			REVISION : 2	

IF IN DOUBT ASK!	FINISH SIZE:
TITLE: J_SHAPE_LH_BATH 1500 x 745	
DWG NO. PD_000002	A4
SCALE	SHEET 1 OF 1



THE INFORMATION CONTAINED IN THIS DRAWING IS THE SOLE PROPERTY OF TROJAN PLASTICS. ANY REPRODUCTION IN PART OR AS A WHOLE WITHOUT THE WRITTEN PERMISSION OF TROJAN PLASTICS IS PROHIBITED.

	NAME	SIGNATURE	DATE	
DRAWN	P.CALLAGHAN		31/10/16	UNLESS OTHERWISE SPECIFIED: DIMENSIONS ARE IN MILLIMETERS SURFACE FINISH: TOLERANCES: ±5mm LINEAR: ANGULAR:
CHK'D				
APPV'D				
MFG				
Q.A				
				FINISH:
				MATERIAL: 4mm ACRYLIC
				DEBUR AND BREAK SHARP EDGES
				WEIGHT:
			DO NOT SCALE DRAWING	REVISION : 2

IF IN DOUBT ASK!	FINISH SIZE:
TITLE: J_SHAPE_RH_BATH 1500x 745	
DWG NO. PD_000003	A4
SCALE	SHEET 1 OF 1