

# BRISTAN

## Installation Instructions & User Guide

Please leave these instructions  
with the end user

Saffron Eco Start Basin Mixer Range | SAF ES BAS (D1)

### Specifications

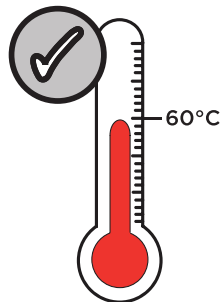
#### Dynamic Water Pressure

Min: 0.5 bar Max: 5.0 bar



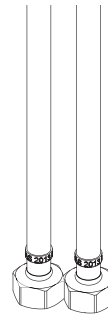
Maximum Static Pressure: 10.0 bar

#### Inlet Water Temperature



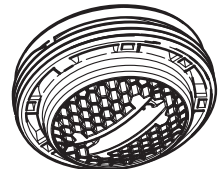
Maximum Hot 60°C

#### Inlet Connections



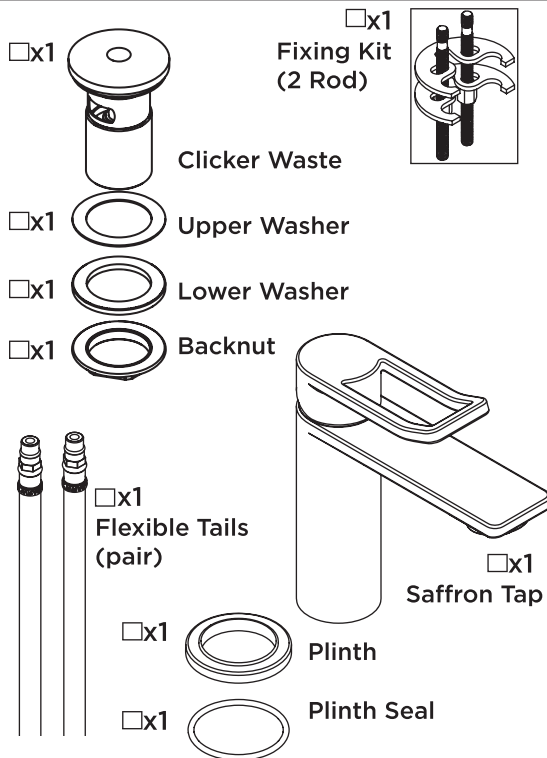
1/2" BSP  
Flexible Tails

#### Outlet

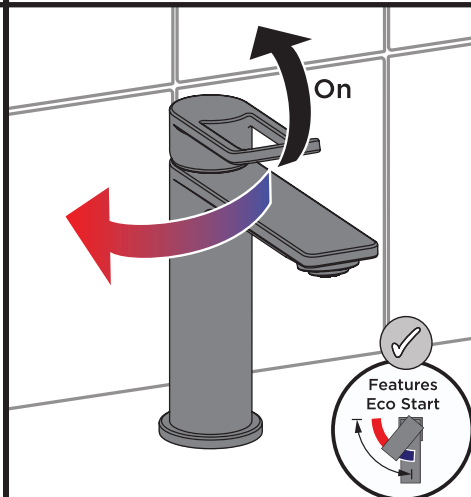


Coin Slot M24 5lpm  
Honeycomb Aerator

### Pack Contents



### Operation



#### Temperature Control

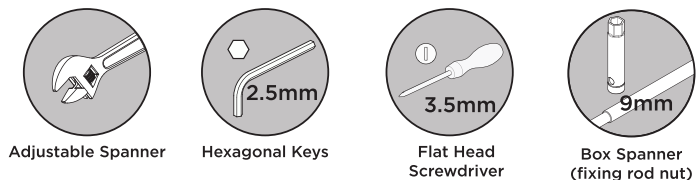
For cold water, position the handle straight forward so it is parallel with the spout (the handle will stop here when pushing it to the right)

To increase temperature, turn the handle to the left

The temperature will gradually rise the further the rotation of the handle

The handle will cease to turn once it is at a 90° angle, supplying the maximum temperature

### Tools Required for Installation/ Maintenance



### Prior to Installation

All products manufactured and supplied by Bristan are safe to use provided that they are installed, operated and receive regular maintenance in accordance with these instructions.

This product needs to be installed in accordance with, and meet the requirements of The Water Supply (Water Fittings) Regulations (Northern Ireland) 2009 and The Water Supply (Water Fittings) (Scotland) Byelaws 2014. For full Installation Requirements & Notes (IRN) please visit [www.wrasapprovals.co.uk/approvals-directory](http://www.wrasapprovals.co.uk/approvals-directory)

Isolation valves must be fitted to the inlet water supplies to ensure ease of future maintenance.

Before installing this product the water supply must be thoroughly flushed in order to remove any swarf, solder etc. Full access must be made available for future maintenance/servicing purposes.

This product must not be modified in any way as this will invalidate the guarantee.

### Spare Parts



To replace any spare parts for your tap, why not scan the QR Code or visit [www.bristan.com](http://www.bristan.com) and search for your product.



## Important

The images shown are for illustrative purposes only.

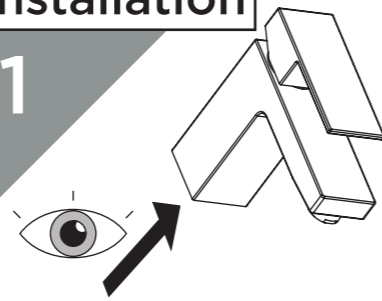
The tap you have purchased may look different to those pictured in this booklet but will follow the same installation steps.

Your contents page will be specific to your product.

If you find your product or any of its components differ from those shown on the contents page, please contact our customer support.

## Installation

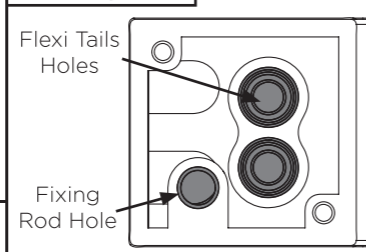
1



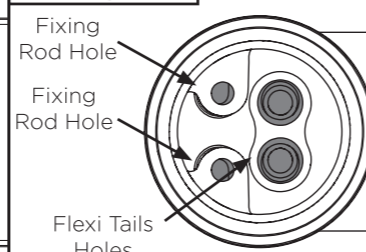
Look underneath the tap body to observe fixing kit rod(s) and tail inlet positions

Depending on the model, the tap will utilise 1 or 2 fixing kit rods. Refer to your contents page

### 1 Fixing Rod



### 2 Fixing Rods

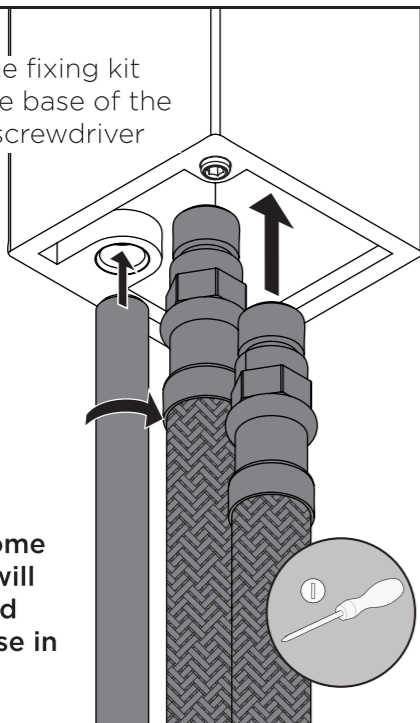


2

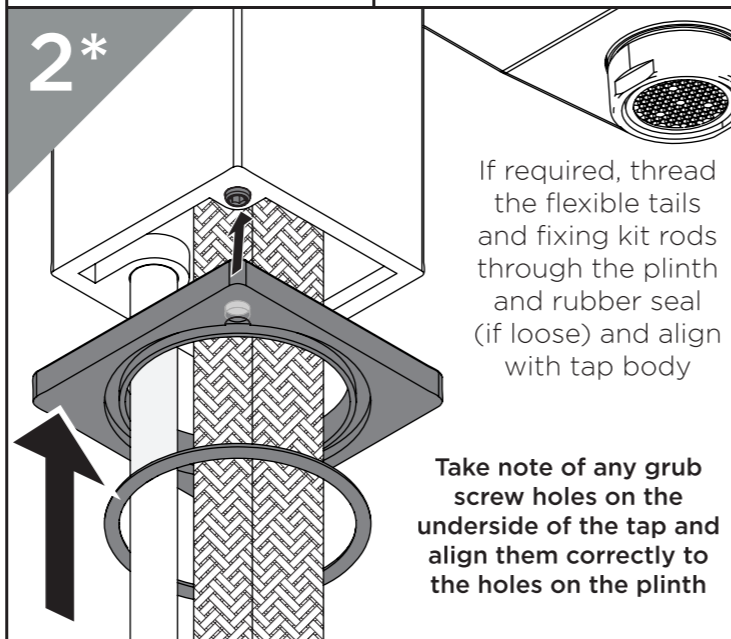
Screw in the fixing kit rod(s) into the base of the tap with a screwdriver

Screw in the flexible tails by hand only. **DO NOT OVERTIGHTEN**

Your model may come with a plinth and will either be included pre-attached or loose in the box\*



2\*

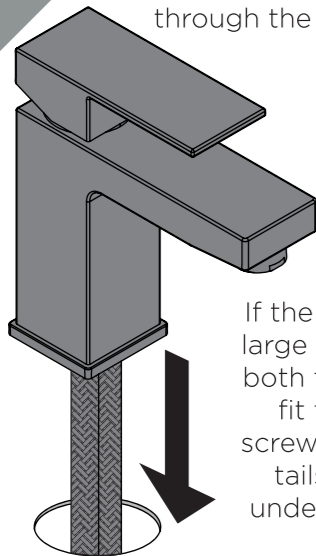


If required, thread the flexible tails and fixing kit rods through the plinth and rubber seal (if loose) and align with tap body

Take note of any grub screw holes on the underside of the tap and align them correctly to the holes on the plinth

3

Thread the flexible tails and fixing kit rods through the basin hole

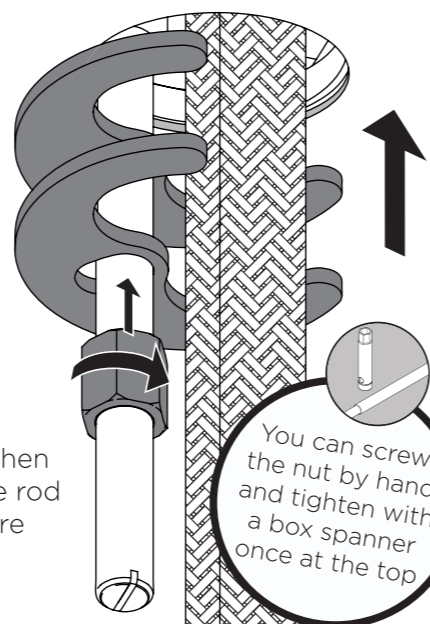


If the hole is not large enough for both tail ends to fit through, screw one of the tails in from underneath the basin

4

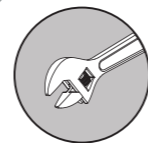
From underneath the basin, slide the rubber gasket and metal c plate along the fixing rod(s) with the gasket sitting on top of the c plate

Align the gasket and c plate, then begin tightening the nut up the rod towards the basin until secure

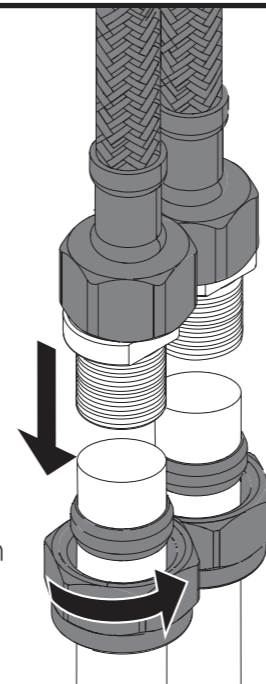


You can screw the nut by hand and tighten with a box spanner once at the top

5



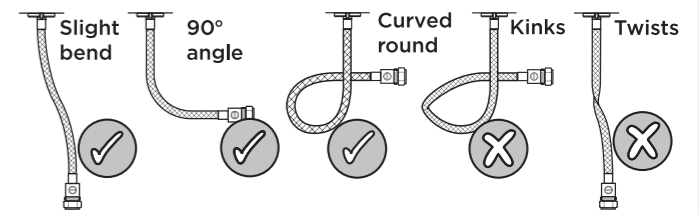
Hot on the left, cold on the right



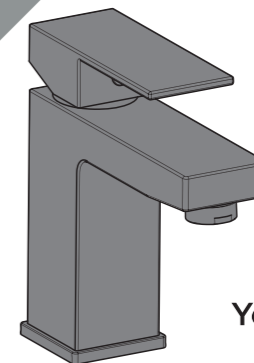
Connect the hot and cold water supplies to the flexible tails and turn until tight



REMEMBER Refer to the next panel for correct flexible tail positions



6



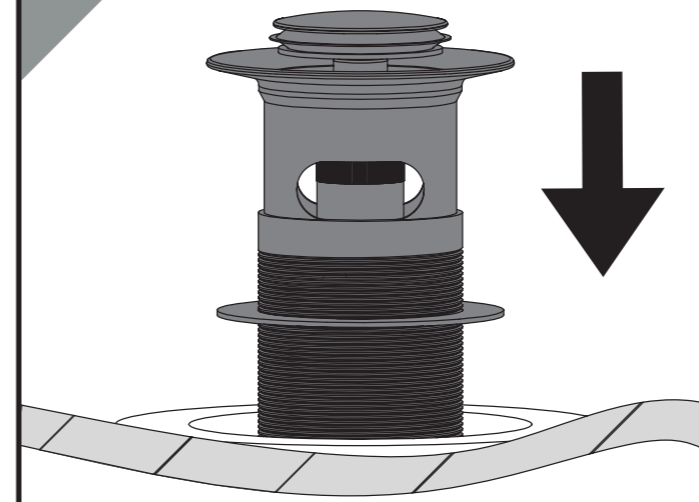
IMPORTANT Turn on water supply for a few minutes and check all joints and connections for any leaks.

Your tap is now ready for use

## Waste Installation and Operation

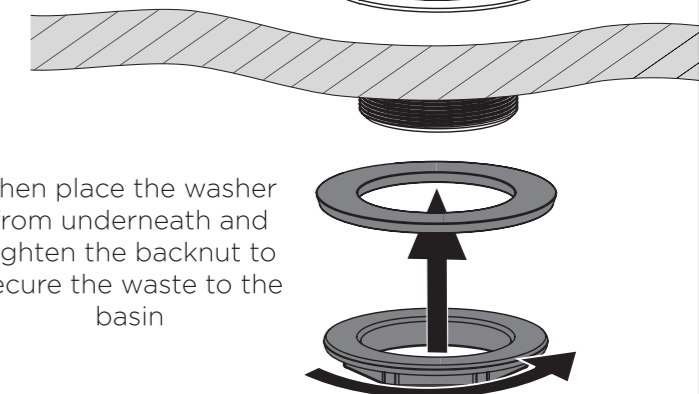
1

Fit the waste above the basin ensuring the washer is in place



2

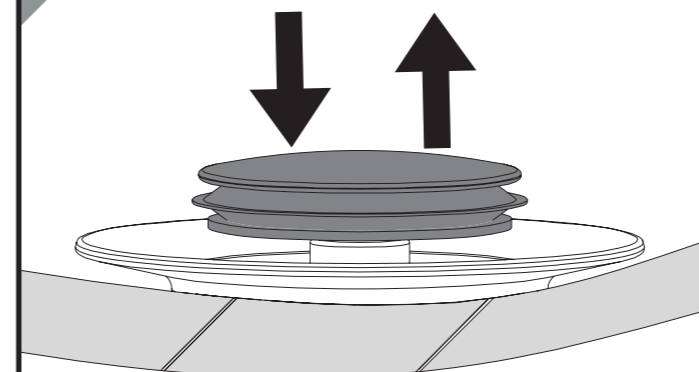
Push waste into hole until the outer rim sits flush with the bottom of the basin



Then place the washer from underneath and tighten the backnut to secure the waste to the basin

3

Push the centre down to close the waste



Push again to open and release the contents of the basin

Your waste is now ready for use

## General Cleaning

Bristan products are made from premium materials, with hand polished, electroplated, PVD or EPD finishes.

Your taps or shower should be regularly cleaned with warm water, a mild pH-neutral liquid soap, and polished with a soft cloth. Any residues from soap, toothpaste, shampoos and shower gels can cause blemishes if not rinsed off straight after use.

Household bleaches and cleaners contain harsh chemicals and may damage the surface finish. Avoid using abrasive cloths, scouring pads, scrub sponges, steel wool or anything similar.



## Maintenance - Cartridge/ Valve Replacement

**1** Remove indice by pulling it loose, then undo hex grub screw to remove handle

**2** Remove the shroud and retaining nut then lift the cartridge out of the tap

**3** Reverse the steps to replace the cartridges/ valves and handles.

**IMPORTANT** Isolate the water supply before starting!

(Some shrouds may need to be unscrewed by hand before removing)

(Grub screw will be located at the front or rear of the handle)

## Maintenance - Clean/ Replace Outlet

**1a** **Housed Outlet** Using an adjustable spanner, unscrew gently to remove the outlet

**1b** **Recessed Outlet** If provided, insert the key tool into the outlet and twist to release it

**1c** **Coin Slot Outlet** Using a coin, insert into the slot on the outlet and twist to release it

**2** Check all loose parts for any damage, then soak using a suitable solution to de-scale

**3** Reverse the steps to replace the outlet

**IMPORTANT** Refer to your contents page to see what outlet your model has

## Love Your Chrome

Bristan offers an effective chrome-friendly cleaning kit for use with your taps and showers. Scan the QR Code or search for 'CLEAN KIT01' on [www.bristan.com](http://www.bristan.com).



## Troubleshooting

| Symptom                                  | Cause   | Remedy   |
|--|---|--|
| Low Flow                                 | Partially closed isolation valve.   | Open isolation valve.  |
|  | Airlock or partial blockage in the supply pipework.                               | Flush through pipework to ensure removal of debris and any airlocks. |
|  | Partial blockage in the outlet  | Remove to Clean and soak in suitable solution.                       |
| No hot water or cycling hot and cold     | Instantaneous water heater cycles on and off as flow rate or pressure is too low. | Increase water flow rate or pressure through system.                 |
| No Flow                                  | Closed isolation valve.   | Open isolation valve.  |
|  | Mains water supply turned off.  | Turn on mains water supply.  |
| Temperatures not corresponding with taps | Inlet pipes have been connected incorrectly                                       | Swap the inlet tails around.   |

## Notes

Please use this space for any notes you or your installer may have regarding the installation/plumbing of this product.

## Contact Us

### BRISTAN

Bristan Group Ltd.

UK: Bristan Group, B78 1SG.

EU: Masco Europe S.à.r.l.  
14 Rue Strachen  
6933 Mensdorf  
Luxembourg

Customer Service: +44330 026 6273

Web: [www.bristan.com](http://www.bristan.com)

Email: [enquire@bristan.com](mailto:enquire@bristan.com)

A Masco Company

## Servicing Your Tap

We recommend servicing your tap at least once every year to prolong its life.

To see a video showing how to remove the cartridge for servicing, scan the QR code with your smart phone or tablet.

Alternatively visit [www.youtube.com/BristanTV](http://www.youtube.com/BristanTV)



## Our Guarantee

At Bristan, we want to make things as easy as possible for our customers. That's why we offer solid guarantees on all our products, effective from the date of purchase, to give you peace of mind.

Your guarantee starts from the purchase of your product, but you can still benefit from registering it for easier identification in the unlikely event of a manufacturing fault, please visit [www.bristan.com/register](http://www.bristan.com/register)

For any other queries, please call Customer Service on 0330 026 6273 where our expert team of advisors will be able to offer you any help and advice.

For full guarantee terms and conditions visit [www.bristan.com/service-centre/guarantees](http://www.bristan.com/service-centre/guarantees).

