

### TRAY MUST BE 100% LEVEL IN ALL DIRECTIONS

Ensure the shower tray is level in all directions and is properly sealed to the wall. The wall must be tiled down to the top edge of the tray. **Do not angle out bottom tile.**

### TRAY MUST BE SEALED FULLY AROUND WHERE THE TRAY MEETS THE WALL.

#### Sep 1.

Step In the wall profile **10SWPSET1950** 20mm from the front edge of the shower tray. Ensure the wall profile is plumb,

**Note** ; Do not fit the closing wall profile yet.

**Note:** Do not remove protective plastic on outside of wall profile until just before sealing.

**Note:** Before fitting, remove protective plastic on the outside and inside of the top rail.

#### Step 2.

Mark the position for fixing the wall profile to the wall. **IMPORTANT:** must mark the centre of all slots in wall profile as the extra will be needed for adjustment later on.

#### Step 3.

Drill hole (**THROUGH THE CENTRE OF THE SLOT**) with 6mm masonry drill bit and insert the wall plugs **6\*30WSER**.

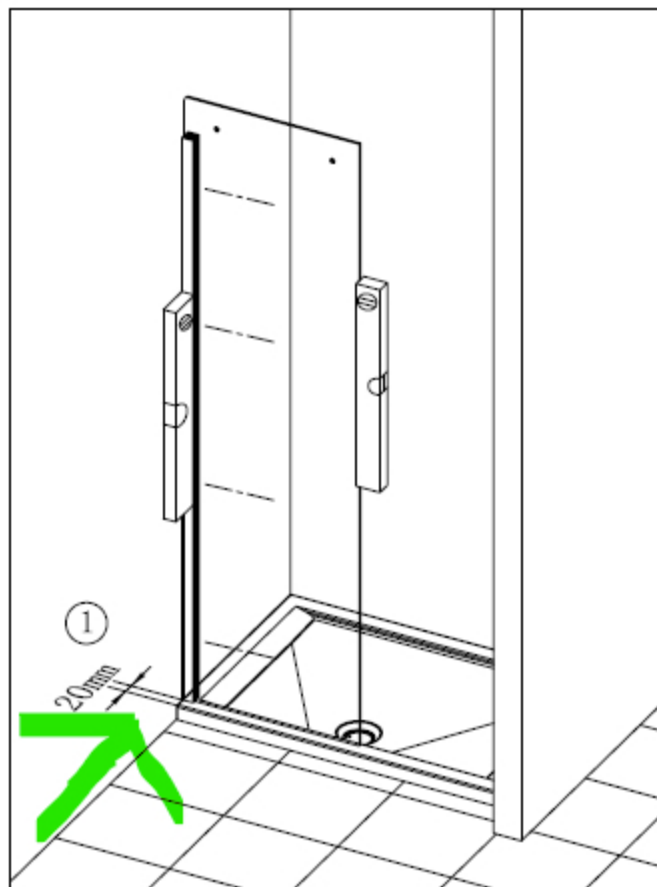
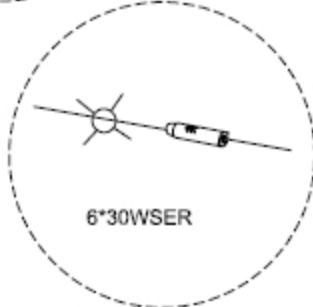
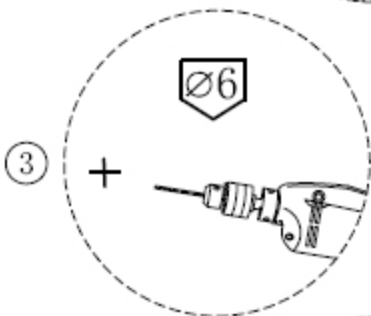
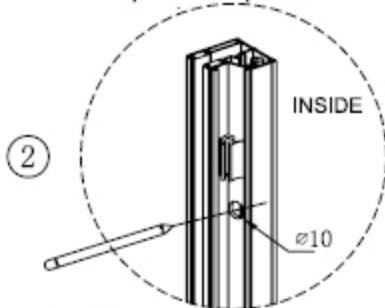
#### Step 4.

Fix the wall profile to the wall through the centre of the slot with screws **ST4\*30B**.

#### Step 5.

Insert the fixed panel fully into the wall profiles (when slotted in fully - should be no gap behind the glass) ensuring footplate **10S2310L/R** is on the bottom corner of the fixed panel.

Note: curved fixed panel footplate to have small gap on inside.



**NOTE: Only silicone the wall profile after fixing to the wall (see sealing section). Do not silicone on the back of the wall profile before fixing to the wall.**

#### OPTIONAL RAIL IF USING POWER SHOWER CLOSE TO MOVING PANEL.

IF you are using a Power shower that will be directed towards the door or bottom of the door panel, we would advise using this higher bottom rail instead of the standard luna rail **10S28P588** and footplates **10S2310L/R**, see page 3, 6 & 7.

Seal the luna rail to floor/ tray tightly using silicone, and seal one side to wall using silicone. Cut to length only of required, **DO NOT** cut too short.