

BRISTAN

Installation Instructions & User Guide

Please leave these instructions with the end user

Product Code: NAP SHXDIVSMFF C (D1)

Specifications

Working Pressures

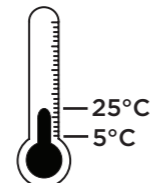
Min: 1.0 bar Max: 5.0 bar



Maximum Static Pressure: 10.0 bar

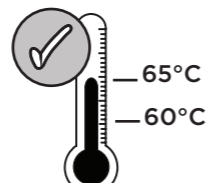
Inlet Water Temperature

Cold Water Supply



Min: 5°C Max: 25°C

Hot Water Supply

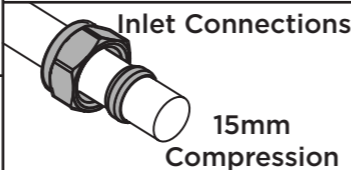
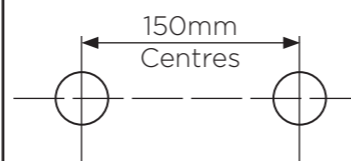


60-65°C Recommended

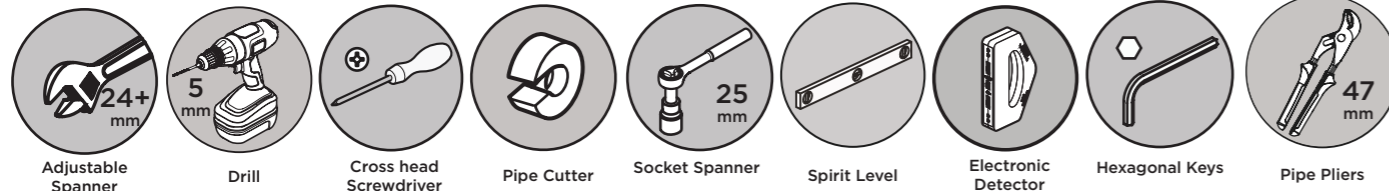
Factory pre-set
38°C

IMPORTANT
The inlet hot water must be at least 10°C above the required blend temperature.

Inlet Dimensions



Tools You'll Need



Prior to Installation

All products manufactured and supplied by Bristan are safe to use provided that they are installed, operated and receive regular maintenance in accordance with these instructions.

This product needs to be installed in accordance with, and meet the requirements of the Water Supply (Water Fittings) Regulations 1999 and current by-laws. For full Installation Requirements & Notes (IRN) please visit wras.co.uk/directory.

Isolation valves must be fitted to the inlet water supplies to ensure ease of future maintenance.

Before installing this product the water supply must be thoroughly flushed in order to remove any swarf, solder etc.

This product must not be modified in any way as this will invalidate the guarantee.

Full access must be made available for future maintenance/servicing purposes.

Before drilling into walls, check that there are no hidden electrical wires, cables or water supply pipes. This can be checked with the aid of an electronic detector.

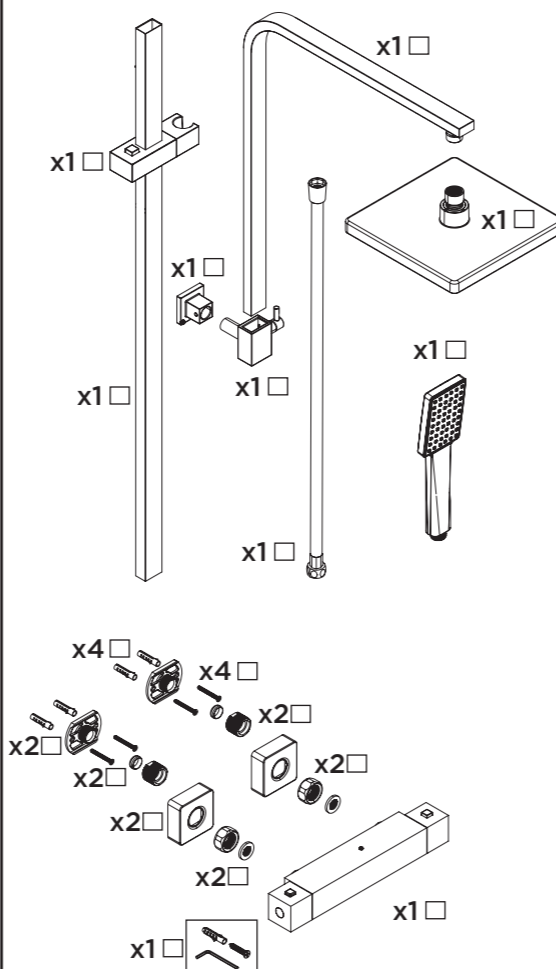
If power tools are used do not forget to:

- Wear eye protection
- Unplug equipment after use

If in doubt, contact a registered plumber or your Local Water Authority or the Secretary of the Institute of Plumbing, address as follows:-

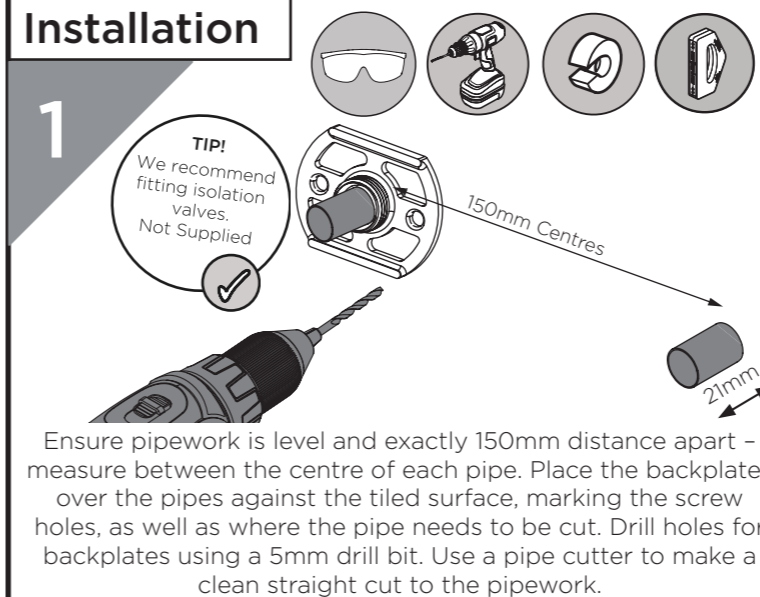
The Institute of Plumbing,
64 Station Lane,
Hornchurch,
Essex,
RM12 6NB, Tel: 01708 472791

Pack Contents

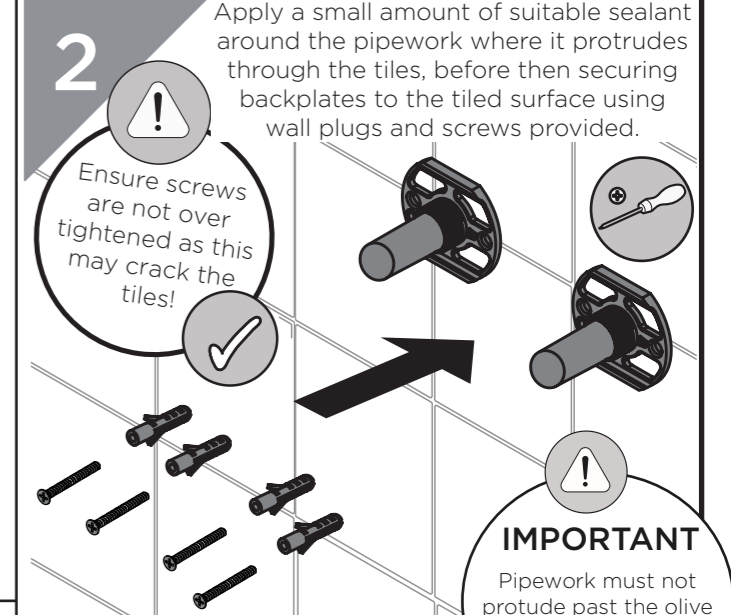


Installation

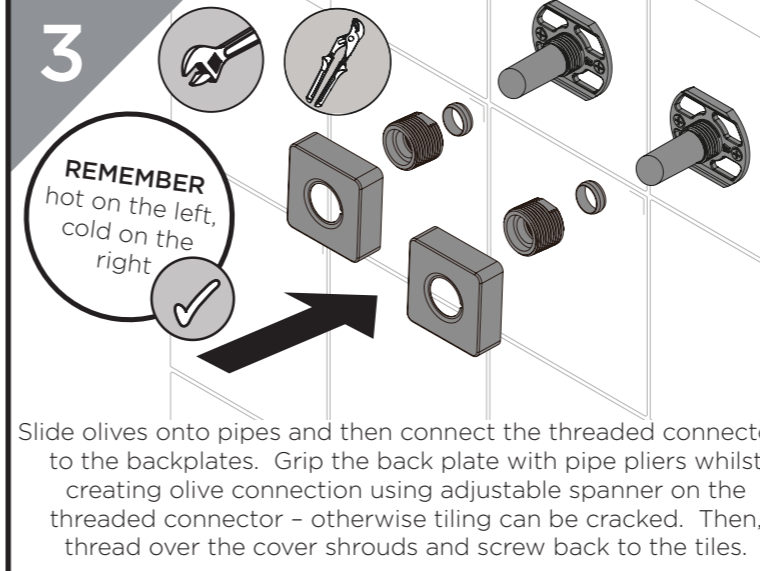
1



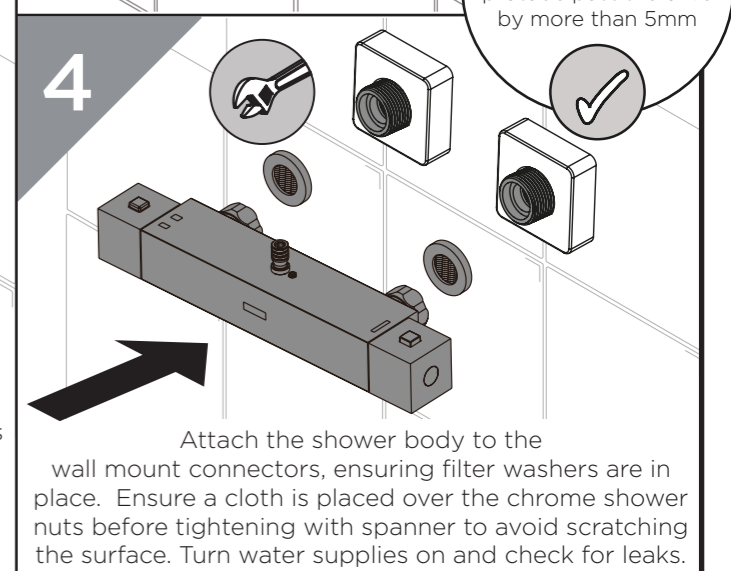
2



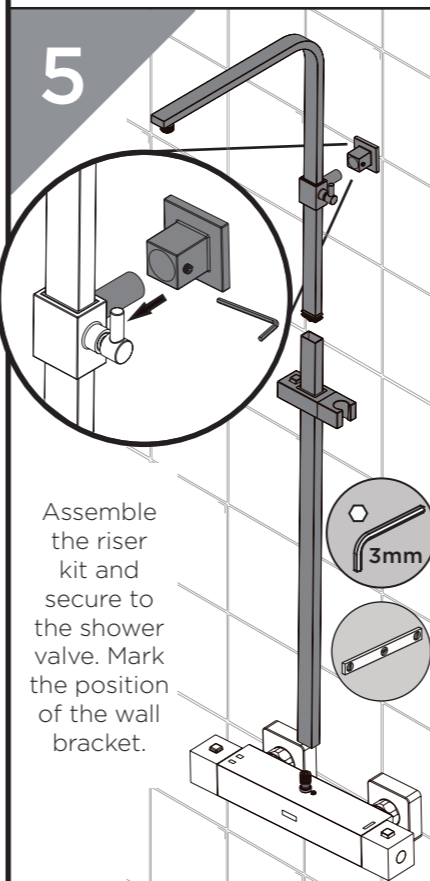
3



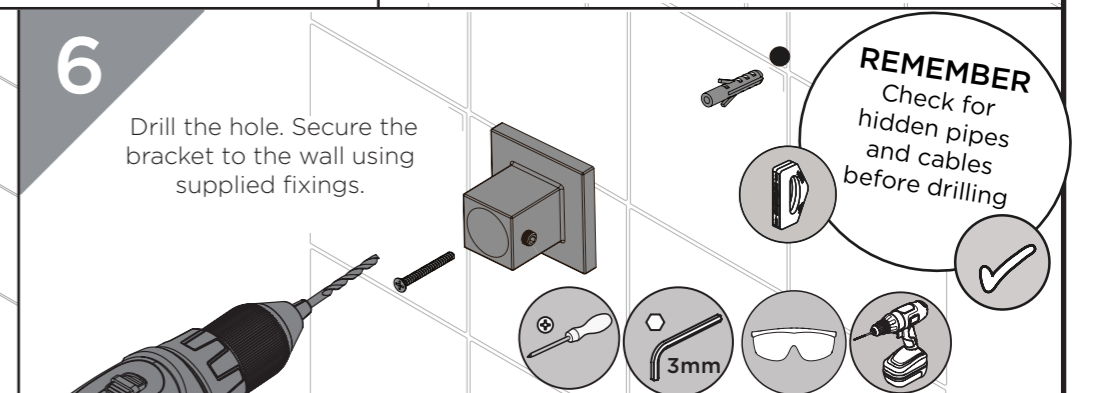
4



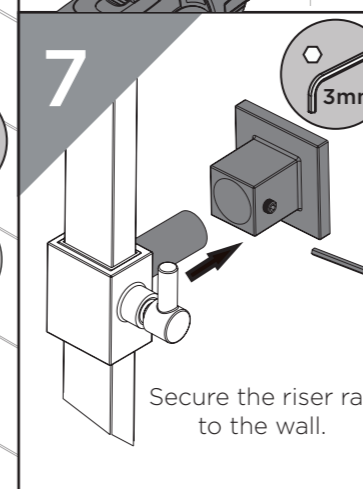
5



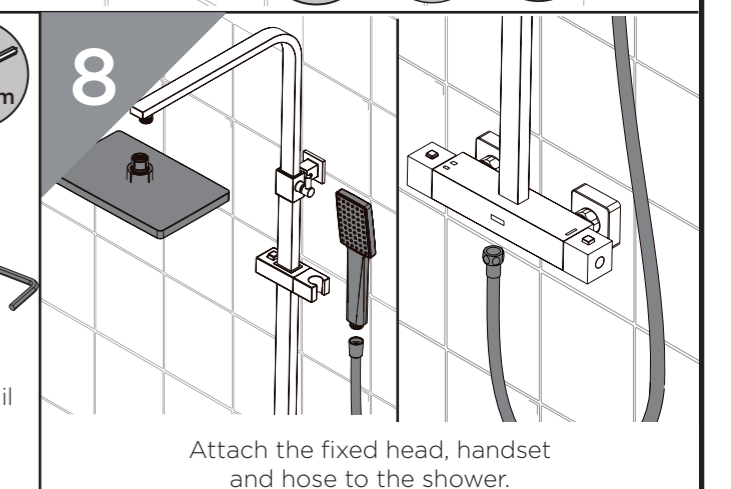
6



7



8



Operation

On - Fixed Head
Middle Position - Off
On - Handset
Cold
Hot

General Cleaning

Bristan products are made from premium materials, with hand polishing and electroplated, PVD or EPD finishes'

Your taps or shower should be regularly cleaned with warm water, a mild pH-neutral liquid soap, and polished with a soft cloth. Any residues from soap, toiletries etc. should be rinsed off straight after use.

Household bleaches and cleaners contain harsh chemicals and may damage the surface finish. Avoid using abrasive cloths, scouring pads, scrub sponges, steel wool or anything similar.

Temperature Setting

1 Turn flow handle on for the handset and turn the temperature handle to maximum, letting temperature stabilise.

2 Remove the cap, screw and temperature handle.

3 Turn the cartridge spindle clockwise to decrease the temperature. Turn the cartridge spindle anti-clockwise to increase the temperature.

4 Reverse steps 1-2 to reinstall the valve, cartridge and handles.

Maintenance - Cartridge Cleaning

1 **IMPORTANT** Isolate the water supply before starting!

Remove the temperature and flow handles.

2 Undo the retaining nut and remove the diverter cartridge.

3 Undo the grub screw to remove the thermostatic cartridge.

4 Remove O-rings and soak all components in a suitable solution until fully de-scaled. Rinse in clean water.

5 Check & replace any O-rings. Re-grease using WRAS approved grease.

6 Reverse the steps to replace the cartridges, ensuring the temperature stop is aligned correctly.

REMEMBER To service your product!

7 Follow the Temperature Setting instructions to re-calibrate the maximum temperature.

Turn the cartridge spindle clockwise to decrease the temperature. Turn the cartridge spindle anti-clockwise to increase the temperature.

Servicing Intervals

To reduce the build up of limescale and to ensure this shower works to its maximum performance we recommend this shower is serviced every 6-12 months depending on the hardness of your water.

Spare Parts

To replace any spare parts for your product, please contact our Customer Services Department on **0330 026 6273**, where our team of expert advisors will be happy to help.

Troubleshooting

Symptom	Cause	Remedy
No flow or low flow rate	Partially closed isolation valve.	Open isolation valve.
	Instantaneous water heater cycles on and off as flow rate or pressure is too low.	Increase water flow rate or pressure through system.
	Head of water is below the minimum distance required.	Refer to the specification for the minimum distance required.
	Are the water supply pressures balanced?	If pressures are unbalanced, a pressure reducing valve should be used for optimum performance.
	Hot or cold water being drawn off elsewhere causing pressure changes or instantaneous boiler temperature changes.	Do not use other water outlets when using the shower.
	Airlock or partial blockage in the supply pipework.	Flush through pipework and filters to ensure removal of debris and any airlocks.
	Hot/Cold water supply has failed	Check the hot and cold feeds. The shower will not work if either fails.
Maximum Water Temperature too Hot/Cold	Maximum Water Temperature needs adjusting.	Refer to the Temperature Setting section to set your desired maximum temperature.
Water dripping from shower	This is normal for a short time after using the shower.	This is caused by residual water tension, the build up of water in the shower.
	If water continues to drip, possibly due to the cartridge	Remove cartridge and clean, refer to 'Maintenance' section before starting any maintenance.
Shower does not turn on	Closed isolation valve.	Open isolation valve.
	Mains water supply turned off.	Turn on mains water supply.

Our Guarantee

At Bristan, we want to make things as easy as possible for our customers. That's why we offer solid guarantees on all our products, effective from the date of purchase, to give you peace of mind.

To start your free guarantee simply scan the QR code and register your product. Alternatively visit www.bristan.com/register.

For any other queries, please call our Customer Service on **0330 026 6273** where our expert team of advisors will be able to offer you any help and advice.

For full guarantee terms and conditions visit www.bristan.com/service-centre/guarantees

Bristan Group Ltd.
UK: Bristan Group, B78 1SG.
EU: Masco Europe S.à.r.l., 14 Rue Strachen 6933 Mendorf, Luxembourg.

Customer Service: +44330 026 6273
Web: www.bristan.com
Email: enquire@bristan.com

A Masco Company

BRISTAN