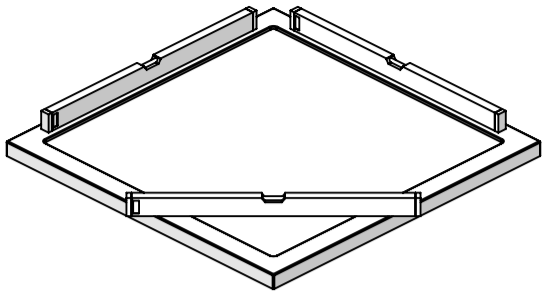
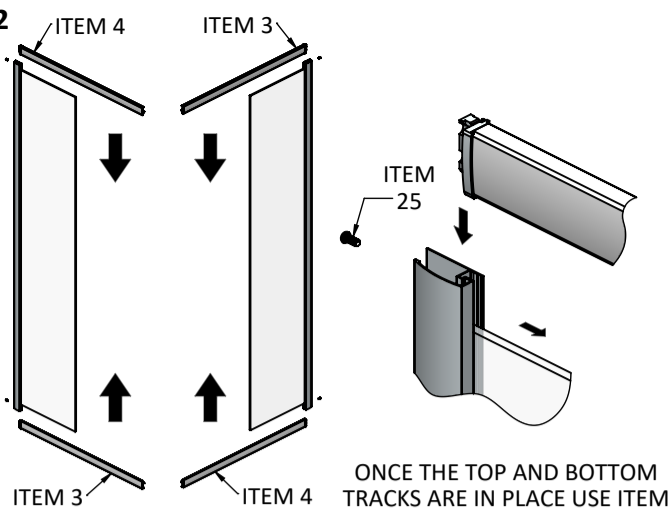


1



ENSURE THE TRAY IS LEVEL IN ALL PLANES.

2



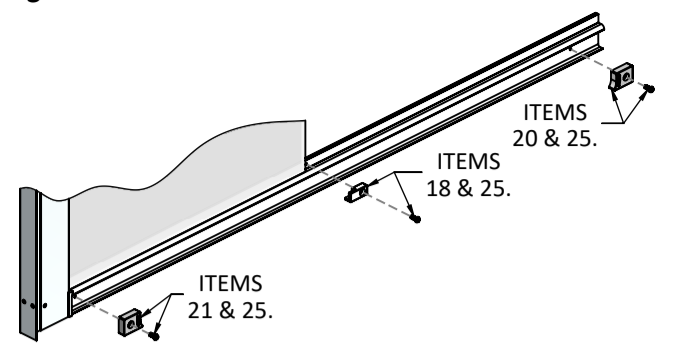
SLIDE THE TOP AND BOTTOM TRACKS; LH & RH, INTO THE GLASS PROFILES UNTIL FLUSH.

ONCE THE TOP AND BOTTOM TRACKS ARE IN PLACE USE ITEM 25 TO SECURE THE FRAME TOGETHER.

USE A HAND SCREWDRIVER. DO NOT OVERTIGHTEN.

THIS IS A TWO PERSON OPERATION.

3

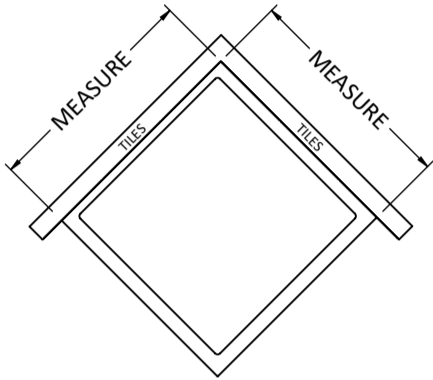


FIT THE BOTTOM GLASS CLIPS (ITEMS 18 & 19) UNDER THE GLASS. ONLY TIGHTEN SCREW PART WAY. FIT THE TOP GLASS CLIPS (ITEMS 18 & 19) AND TIGHTEN ALL SCREWS.

ALSO FIT THE BUMP STOPS TO THE LEFT AND RIGHT HAND TRACKS; ITEMS 20 & 21.

DON'T OVERTIGHTEN THE SCREWS OTHERWISE IT WILL SHOW THROUGH ON THE FRONT FACE OF THE TRACK.

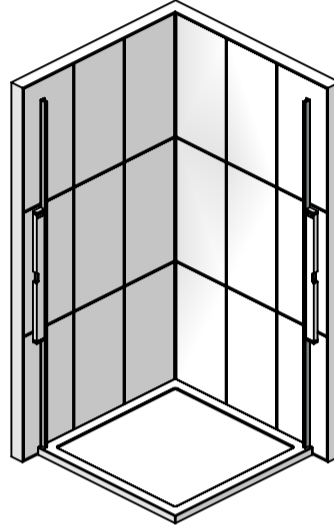
4



Enclosure	Minimum (mm)	Maximum (mm)
700 x 700	675	695
760 x 760	735	755
800 x 800	775	795
900 x 900	875	895
1000 x 1000	975	995

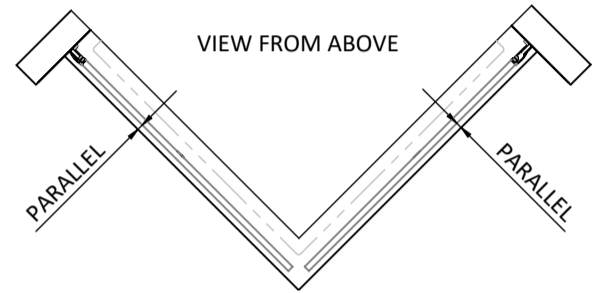
MEASURE FROM THE TILED FACE TO THE FRONT FACE OF THE TRAY AS SHOWN ABOVE TO ENSURE WITHIN ADJUSTMENT RANGE. THEN PLACE YOUR PROFILE CENTRAL TO THE ABOVE MEASUREMENTS.

5



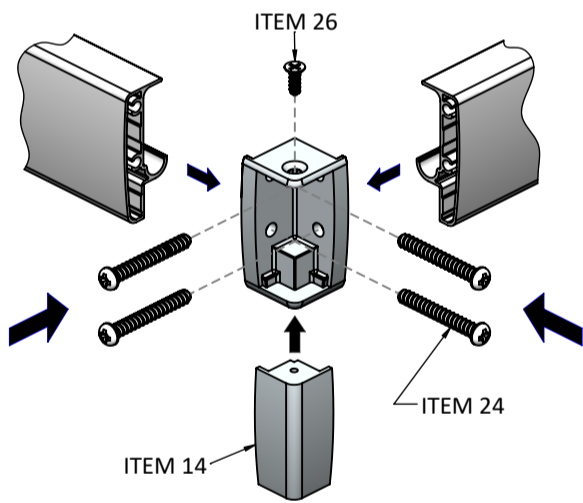
MAKE SURE THE WALL PROFILES ARE TRUE WITH A SPIRIT LEVEL. MARK THROUGH THE FIXING HOLES WITH A PENCIL. REMOVE PROFILES, DRILL AND PLUG THE WALL, (ITEM 27). THE WALL PLUGS SUPPLIED MAY NOT BE SUITABLE FOR YOUR SUBSTRATE, USE SUITABLE FIXINGS. NOW REFIT WALL PROFILES IN PLACE USING ITEM 22, 23 & 24.

6



FIT THE FRAME OVER THE WALL PROFILES, ADJUST SO THE GLASS IS PARALLEL TO THE TRAY EDGE. THERE SHOULD ALSO BE AN EQUAL AMOUNT OF FRAME IN EACH WALL PROFILE. ENSURE THE FRAME IS TRUE AND SQUARE ON BOTH SIDES BEFORE FIXING THE TWO FRAMES TOGETHER, USE A SPIRIT LEVEL ON THE EDGE OF THE FIXED GLASS PANEL.

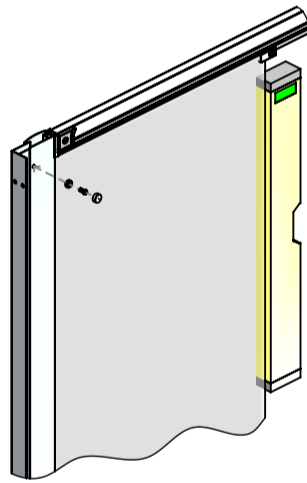
7



FIT THE LH & RH TRACKS ONTO THE CORNER MOULDINGS. ENSURE THAT THE TRACKS ARE SQUARE AND TRUE BEFORE SECURING THE CORNER MOULDINGS TO THE TRACK WITH ITEM 24. ALSO FIT THE CORNER MOULDING CAPS; ITEM 14, WITH ITEM 26 REPEAT FOR BOTTOM TRACK.

DON'T OVER TIGHTEN SCREWS.

8



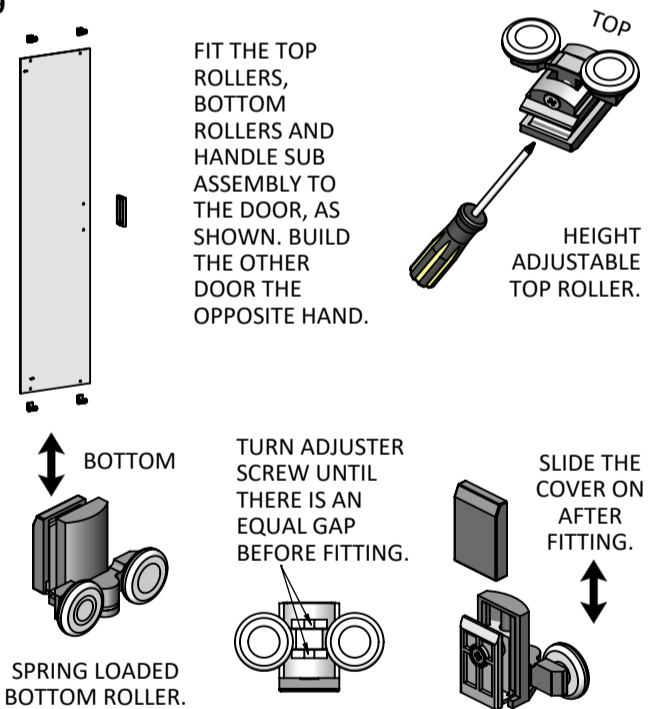
ENSURE SQUARE BEFORE FIXING. DRILL THROUGH THE HOLES IN THE FIXED GLASS PANEL PROFILES WITH A 3mm DRILL BIT.

(MAKE SURE YOU ONLY DRILL THROUGH ONE WEALL THICKNESS).

THEN FIX THE FRAME USING ITEMS 22, 23 & 25.

DON'T OVER TIGHTEN SCREWS.

9



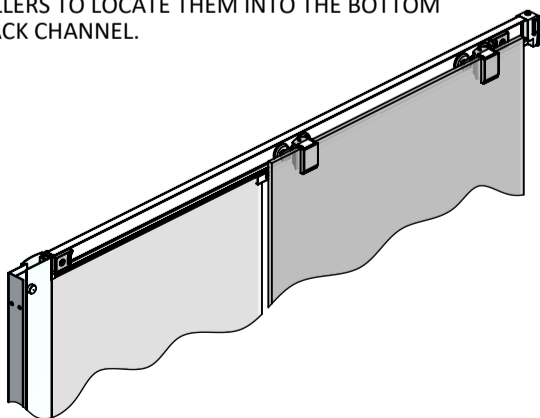
FIT THE TOP ROLLERS, BOTTOM ROLLERS AND HANDLE SUB ASSEMBLY TO THE DOOR, AS SHOWN. BUILD THE OTHER DOOR THE OPPOSITE HAND.

TURN ADJUSTER SCREW UNTIL THERE IS AN EQUAL GAP BEFORE FITTING.

SLIDE THE COVER ON AFTER FITTING.

10

HANG THE DOOR ON THE TOP TRACK, ENSURING THE WHEELS ARE LOCATED IN THE PROFILE CHANNEL. THEN FROM THE OUTSIDE PUSH DOWN ON THE BOTTOM ROLLERS TO LOCATE THEM INTO THE BOTTOM TRACK CHANNEL.



WHEN BOTH DOORS ARE FITTED TURN THE ADJUSTER SCREW ON THE TOP ROLLERS TO LEVEL THE DOORS AND MAKE THEM TRUE TO EACH OTHER.

NOTE: WHEN THE DOOR HITS THE TOP BUMP STOP IT SHOULD HIT THE BOTTOM BUMP STOP AT THE SAME TIME.

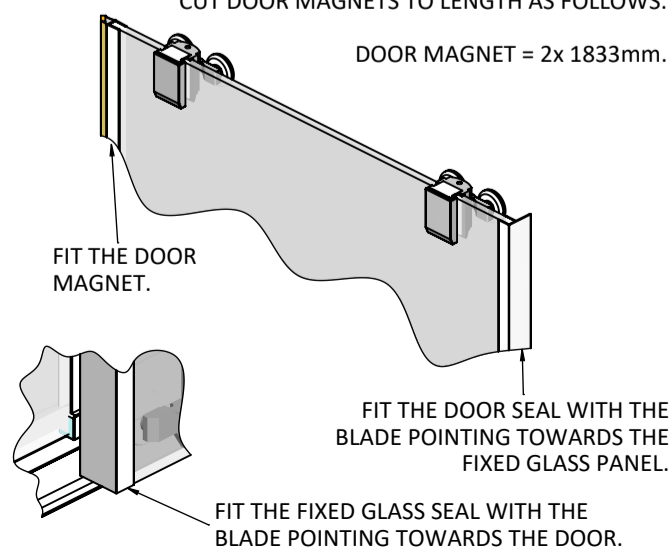
11

CUT THE VERTICAL PVC SEALS TO LENGTH AS FOLLOWS, IF NECESSARY:

DOOR SEALS = 2x 1833mm.
FIXED PANEL SEALS = 2x 1768mm.

CUT DOOR MAGNETS TO LENGTH AS FOLLOWS:

DOOR MAGNET = 2x 1833mm.

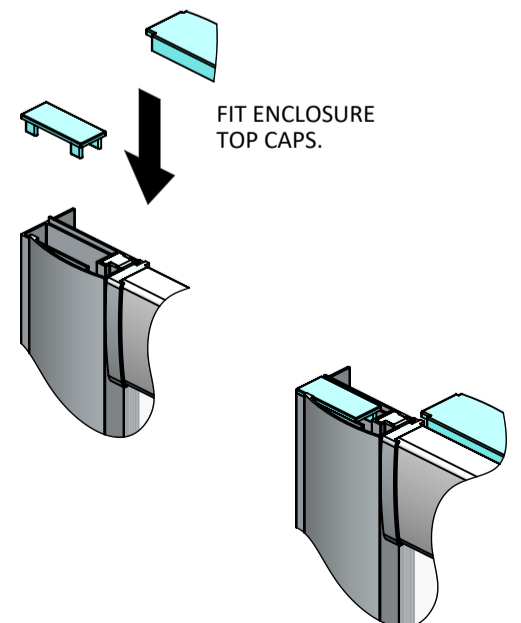


FIT THE DOOR MAGNET.

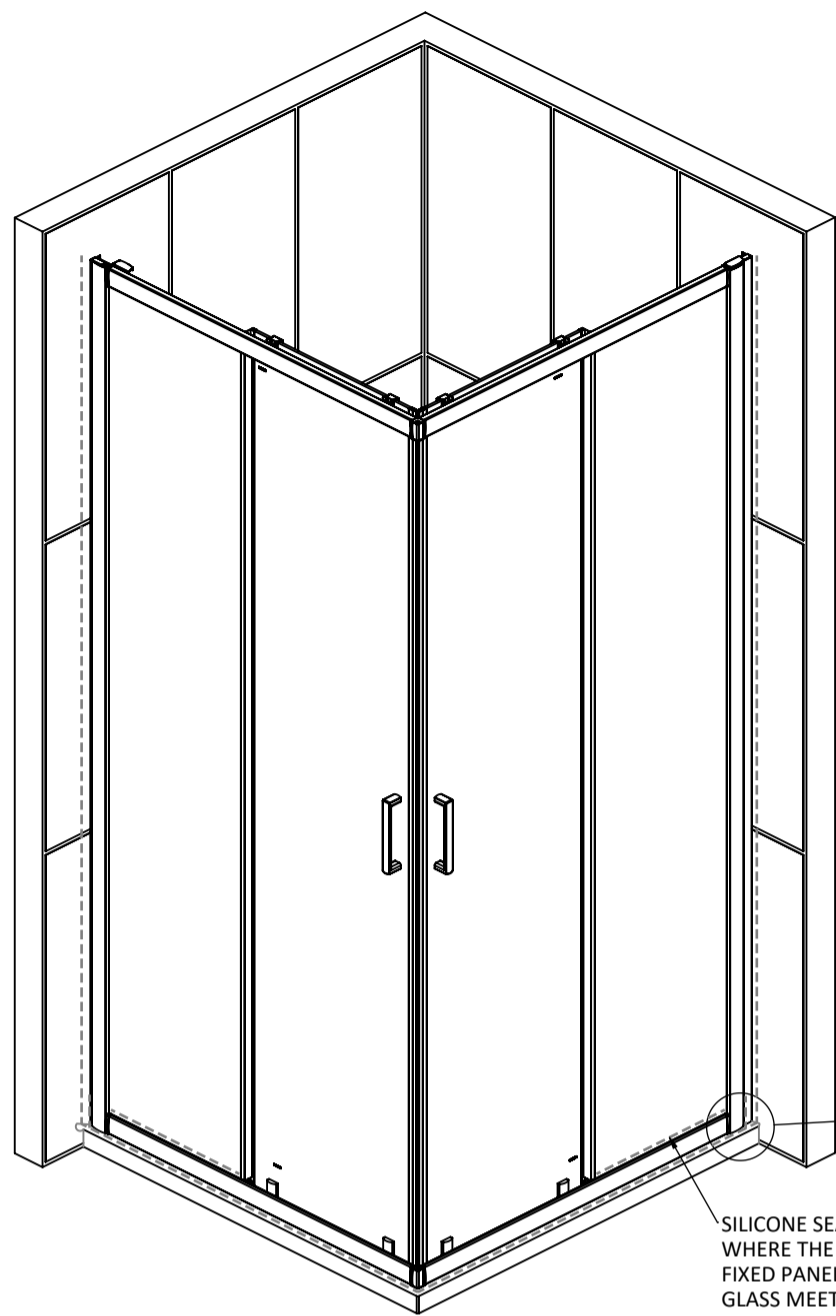
FIT THE DOOR SEAL WITH THE BLADE POINTING TOWARDS THE FIXED GLASS PANEL.

FIT THE FIXED GLASS SEAL WITH THE BLADE POINTING TOWARDS THE DOOR.

12



FIT ENCLOSURE TOP CAPS.



EXTERNALLY SILICONE SEAL THE WALL PROFILES WHERE THEY MEET THE WALL AND THE BOTTOM PROFILE WHERE IT MEETS THE TRAY. ALL IN A CONTINUOUS BEAD.

ALSO SILICONE SEAL THE PLASTIC MOULDINGS AND 150mm HIGH AS SHOWN IN THE DETAILED VIEW BELOW.

DO NOT SILICONE INSIDE THE ENCLOSURE.

ALLOW THE SILICONE AT LEAST 24 HOURS TO FULLY CURE.

AFTERCARE - ENSURE YOU CLEAN YOUR PRODUCT USING A MILD DETERGENT DILUTED IN WATER, REMOVING ANY RESIDUE WITH A SOFT DAMP CLOTH.

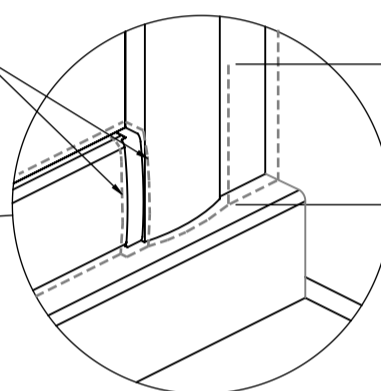
MAINTENANCE - ENSURE MOVING PARTS ARE FREE FROM ANY DEBRIS OR SOAP BUILD UP.

SHOWER ENCLOSURE WITH WHEELS - THE WHEELS MUST ROTATE FREELY AND THE SPRING LOADED MECHANISM IN THE BOTTOM WHEELS MUST OPERATE WITHOUT INTERFERENCE.

TROUBLE SHOOTING GUIDE

1. IS THE TRAY LEVEL? (SEE STEP 1).
2. ARE THE TOP AND BOTTOM TRACKS FULLY INSERTED AND FLUSH WITH THE GLASS PROFILES? (SEE STEPS 2).
3. ARE THE RETAINER SCREWS FITTED TO LOCK THE TRACK IN PLACE? (SEE STEPS 2).
4. DO THE FINISHED TRAY MEASUREMENTS COMPLY WITH THE ADJUSTMENTS LISTED IN THE PRODUCT SPECIFICATION?
5. WHEN CONSIDERING THE LENGTH OF THE TOP TRACK ALSO CONSIDER THE GLASS PROFILES THAT ARE SECURED TO IT WHICH INCREASE ITS LENGTH.
6. ONCE INSTALLED LEAVE THE ENCLOSURE DOORS IN THE CLOSED POSITION WHEN NOT IN USE AS MAGNET STRENGTH WILL INCREASE OVER THE FIRST WEEK.

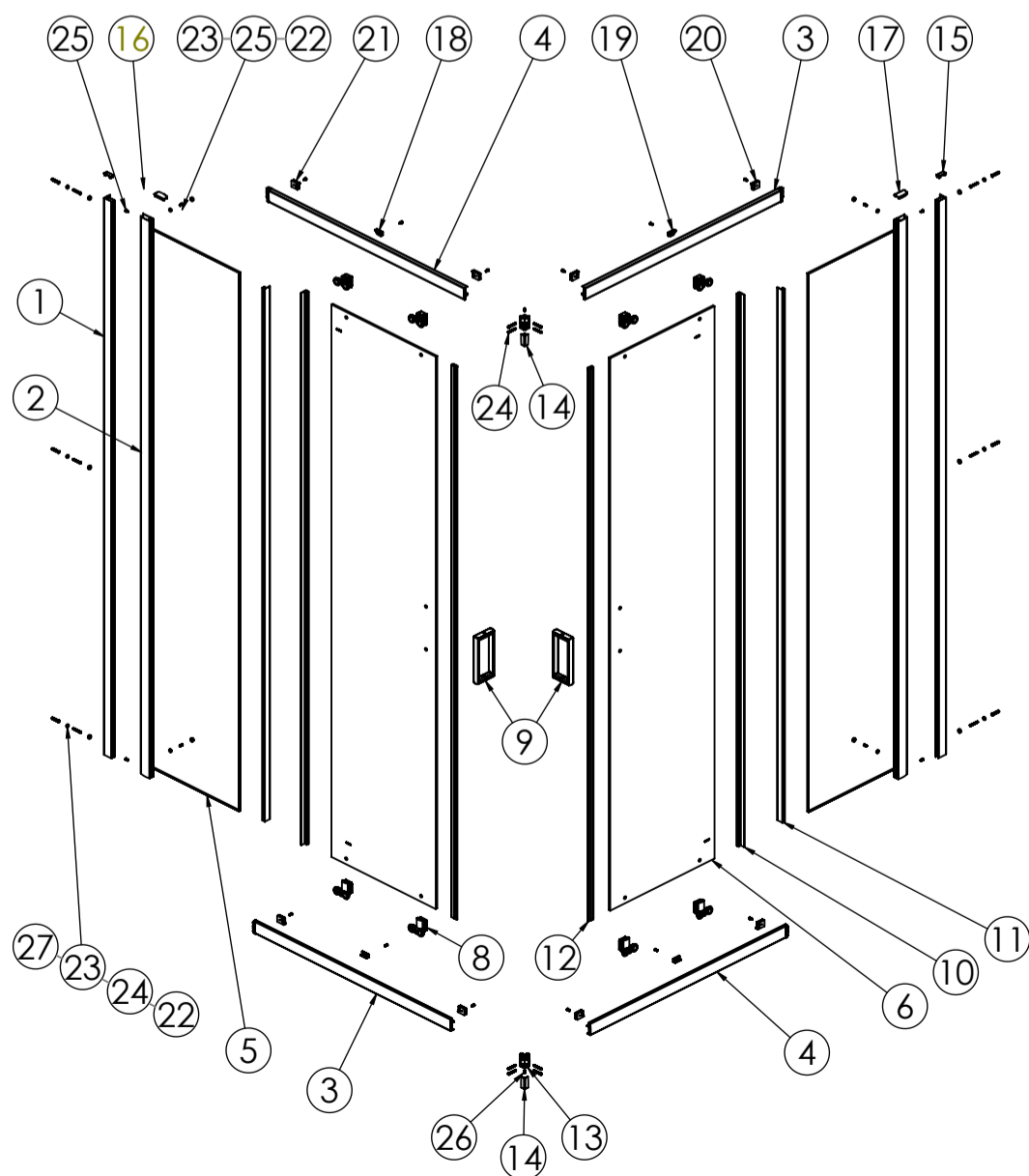
SILICONE THE PLASTIC MOULDING WITH AS SMALL A BEAD AS POSSIBLE.



WHERE THE FRAME GLASS PROFILE MEETS THE WALL PROFILE.

SILICONE SEAL WHERE THE FIXED PANEL GLASS MEETS THE TRACK.

CORNER ENTRY EASY FIT ENCLOSURE INSTRUCTION



UNPACK THE BOX AND ENSURE ALL COMPONENTS ARE PRESENT.

NO REFUNDS OR REFITTING COST WILL BE GIVEN IF INCOMPLETE OR DAMAGED GOODS ARE FITTED.

THE TOUGHENED SAFETY GLASS SHOULD BE HANDLED WITH CARE AS IMPACTS WILL DAMAGE THE GLASS OR ENCLOSURE.

FIT THE SHOWER TRAY AS PER THE MANUFACTURER'S INSTRUCTION.

NOTE: IF THE TRAY ISN'T TRUE AND LEVEL, IT MUST BE RECTIFIED BEFORE SILICONING AROUND THE TOP EDGE OF THE TRAY WHERE IT MEETS THE TILES. ALLOW THE SILICONE TO DRY BEFORE FITTING THE ENCLOSURE.

THE ENCLOSURE INSTALLATION IS RECOMMENDED AS A TWO PERSON OPERATION.

TOOLS REQUIRED

POWER DRILL - 3mm DRILL BIT - 6mm MASONRY DRILL BIT - CROSS HEAD SCREW DRIVER - TAPE MEASURE - PENCIL - SILICONE GUN WITH SANITARY GRADE SEALANT - SPIRIT LEVEL - RUBBER HEAD Mallet.

ITEM NO.	DESCRIPTION	Notes	QTY
1	WALL PROFILE		2
2	GLASS PROFILE		2
3	TOP TRACK LH		2
4	TOP TRACK RH		2
5	FIXED PANEL GLASS		2
6	DOOR GLASS		2
7	TOP ROLLER		4
8	BOTTOM ROLLER		4
9	HANDLE SUB ASSEMBLY		2
10	VERTICAL SEAL (1833mm)	CUT TO LENGTH AS REQUIRED	2
11	VERTICAL SEAL (1768mm)	CUT TO LENGTH AS REQUIRED	2
12	DOOR MAGNET (1833mm)	CUT TO LENGTH AS EEQUIRED	2
13	CORNER MOULDING		2
14	CORNER MOULDING CAP		2
15	WALL PROFILE CAP		2
16	GLASS PROFILE CAP LH		1
17	GLASS PROFILE CAP RH		1
18	GLASS CLIP LH		2
19	GLASS CLIP RH		2
20	BUMP STOP LH		4
21	BUMP STOP RH		4
22	SCREW CUP COVER		10
23	SCREW CUP		10
24	3.9mm x 40mm PAN HD (SMALL HEAD VERSION) SELF TAPPER ST.STL	FOR FIXING TO WALL	14
25	3.9mm x 10mm PAN HD (SMALL HEAD VERSION) SELF TAPPER ST.STL		20
26	No.4 - 2.9mm x 9mm CSK SELF TAPPER ST.STL		2
27	WALL PLUG		6