
BRISTAN

Installation Instructions and User Guide

Bathroom Accessories

**Please keep this booklet for future
reference.**

**Installer, when you have read these
instructions please ensure you leave
them with the user.**

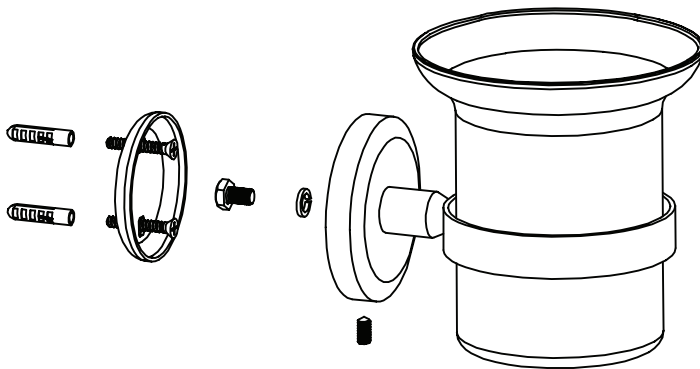
Introduction

Thank you for choosing Bristan, the UK's leading taps and showers expert. We have designed this product with your enjoyment in mind. To ensure that it works to its full potential, it needs to be fitted correctly. These fitting instructions have been created to give you all of the information you need and, if you need any further help, please do not hesitate to give us a call on 0330 026 6273.

Installation

Single Backplate Fitting -

1. Establish the position for the accessory and mark out the fixing holes (Fig. 1). We recommend that the centre distance of the accessory assembly is checked prior to drilling.
2. Drill holes to suit and insert wall plugs if required.
3. Screw the fixing plates to the wall, with the back flat to the wall (Fig. 2).
4. Loosen off the pillar grub screw, but do not remove.



Example of Single backplate fitting, the part supplied with your product may vary.

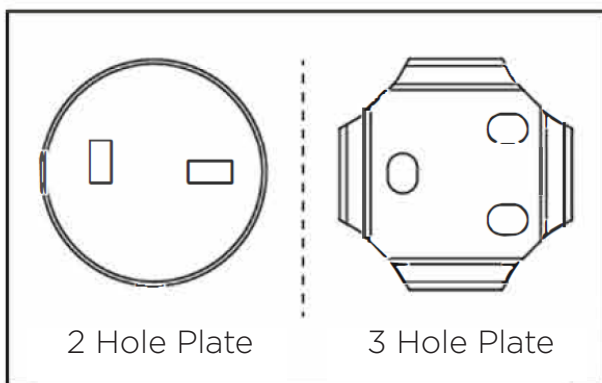


Fig. 1

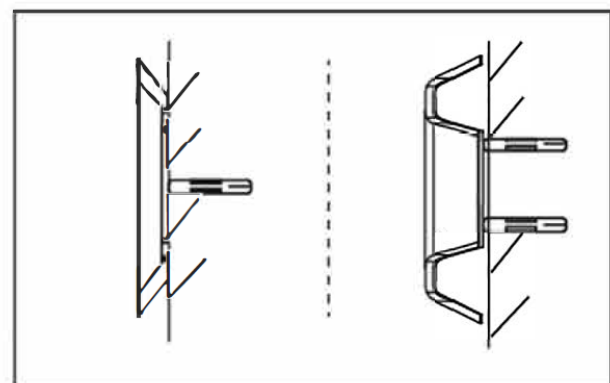


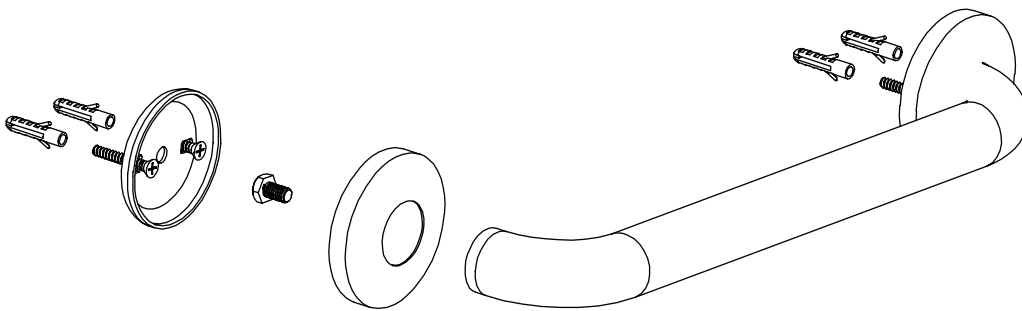
Fig. 2

Depending on your accessory, the shape of the backplate (where supplied) may vary.

Installation

Double Backplate Fitting - Round Fixing Plate

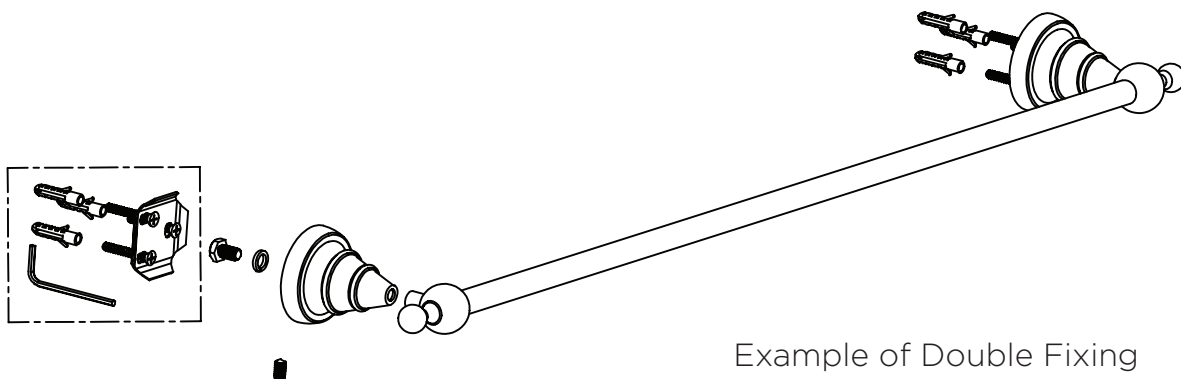
1. Establish the position for the accessory and mark out the fixing holes (Fig. 1). We recommend that the centre distance of the accessory assembly is checked prior to drilling.
2. Drill holes to suit and insert wall plugs if required.
3. Screw the fixing plates to the wall, with the back flat to the wall (Fig. 2).
4. Loosen off the pillar grub screw, but do not remove.



Example of Double backplate fitting, the part supplied with your product may vary.

Double Backplate Fitting - Square Fixing Plate

1. Establish the position for the accessory and mark out the fixing holes (Fig. 1). We recommend that the centre distance of the accessory assembly is checked prior to drilling.
2. Drill holes to suit and insert wall plugs if required.
3. Screw the fixing plate to the wall, with the back flat to the wall (Fig. 2).
4. Loosen off the grub screw, but do not remove.

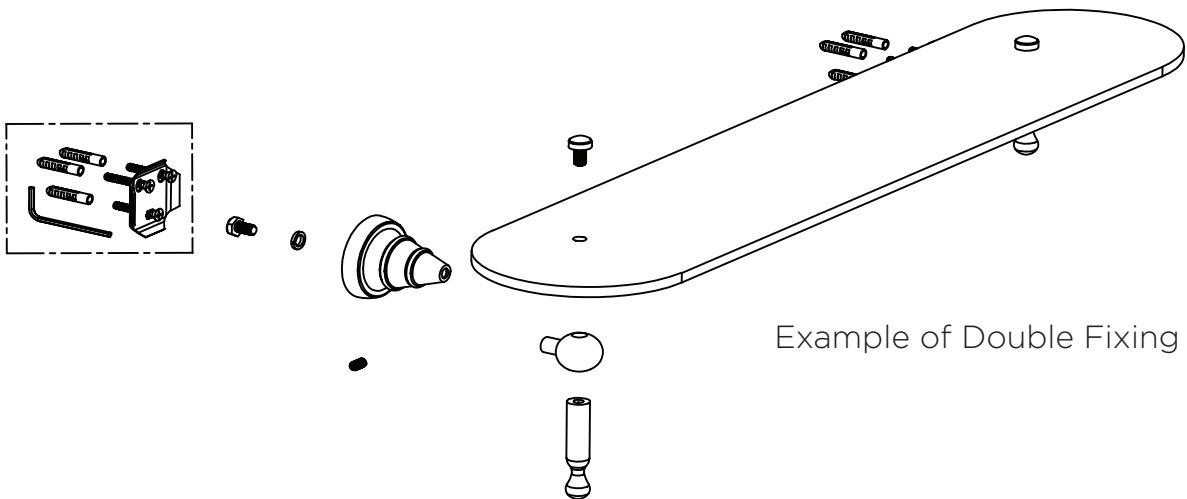


Example of Double Fixing

Installation

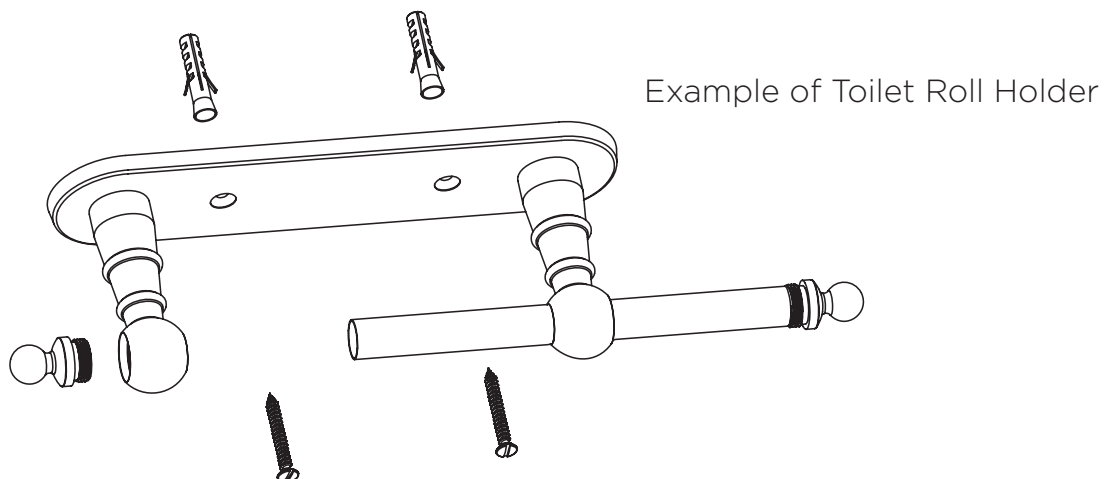
Shelf -

1. Fit shelf into the brackets and secure in position by tightening the plastic screws in the pillars.
2. Follow the Double Backplate Fitting - Square Fixing Plate steps (page. 3).
3. Check shelf for security.



Traditional Toilet Roll Holder -

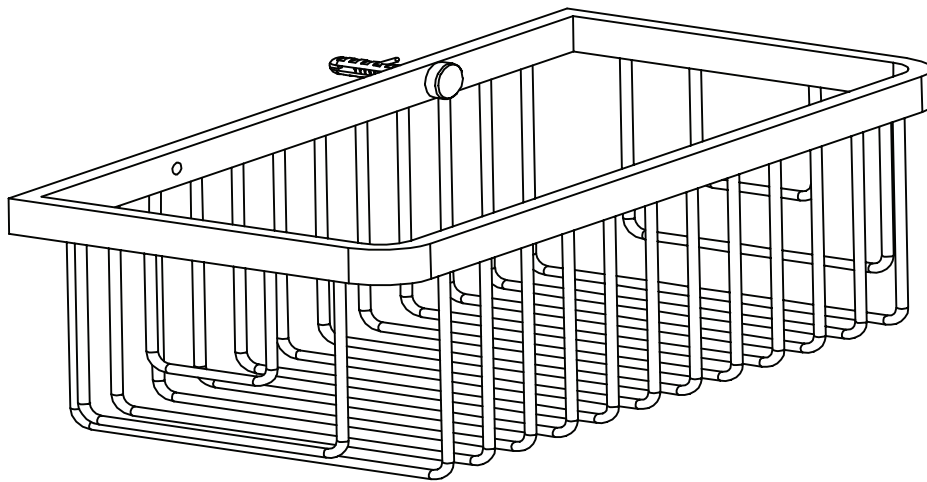
1. Establish the position for the accessory and mark out the fixing holes.
2. Check the position of the market holes with the holder base prior to drilling.
3. Drill holes to suit and insert wall plugs if required
4. Secure the holder base to the wall using the fixings supplied.
5. Feed the toilet roll tube through the base and secure in place by screwing on the cap



Installation

Wire Baskets -

1. Establish the position for the basket and mark out the fixing holes.
2. Check the position of the marked holes before drilling.
3. Drill holes to suit and insert wall plugs if required. Screw in the fixing plate with the back flat to the wall. (Fig. 2)
4. Ensure that the brass threaded washers provided, sit between the accessory and the screw head, fit screws accordingly, see (Fig. 3).
5. Fit concealing caps over the screw heads and check basket for security.



Example of Wire Basket

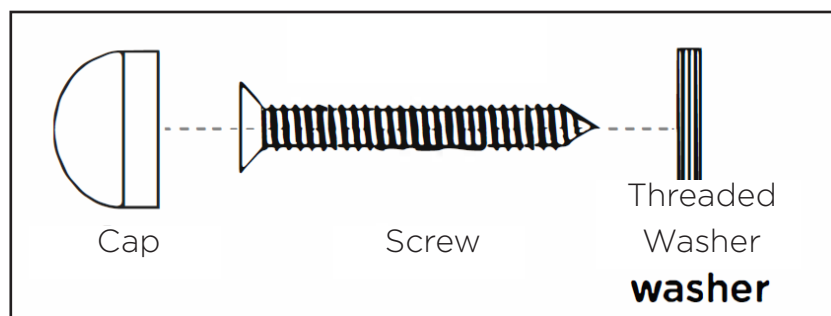


Fig. 3

Installation

Extending Mirror -

1. Establish the position for the mirror and mark out the fixing holes (Fig. 1).
2. Drill holes to suit and insert wall plugs if required.
3. Screw the fixing plate to the wall, with the back flat to the wall (Fig. 2).
4. Loosen off the grub screw (but do not remove) and place the accessory over the fixing plate with the grub screw at the bottom.
5. Tighten up the grub screws until the pillar is secure against the wall.
6. Screw mirror down onto the extending bracket and check for security.

Towel Rail -

1. Follow the appropriate fixing plate steps (p.2-3) depending on your product to secure the fixing plates to the wall
2. Fit the towel rail to the end pillars and place them over the fixing plate with the grub screws at the bottom.
3. Tighten the grub screws until the pillars are secure against the wall.

General Cleaning

Bristan products are made from premium materials, with hand polishing and electroplated finishes.

Your waste should be regularly cleaned with warm water, a mild pH-neutral liquid soap, and polished with a soft cloth. Any residues from soap, toothpaste, shampoos and shower gels can cause blemishes if not rinsed off straight after use.

Household bleaches and cleaners contain harsh chemicals and may damage the surface finish. Avoid using abrasive cloths, scouring pads, scrub sponges, steel wool or anything similar.

Some surfaces such as nickel and pewter may be affected by the dye found in some cloths, so it is also important to avoid hanging cloths on surfaces.

Issue: D4

Part Number: FI BRI ACC

BRISTAN

Bristan Group Ltd.

UK: Bristan Group, B78 1SG.

EU: Masco Europe S.à.r.l.

14 Rue Strachen

6933 Mensdorf

Luxembourg

Customer Service: +44330 026 6273

Web: www.bristan.com

Email: enquire@bristan.com

A Masco Company

At Bristan, we want to make things as easy as possible for our customers. That's why we offer solid guarantees on all our products, effective from the date of purchase, to give you peace of mind.

To start your free guarantee simply scan the QR code and register your product.
Alternatively visit www.bristan.com/register.

For any other queries, please call our Customer Service on **0330 026 6273** where our expert team of advisors will be able to offer you any help and advice.

For full guarantee terms and conditions visit www.bristan.com/service-centre/guarantees.

