

AFTERCARE INSTRUCTIONS

Excessive exposure to water will deteriorate the furniture. Wipe away any water splashes or condensation after use.

All bathrooms should be well ventilated, if needed, with a suitable extractor fan.

Clean with a soft damp cloth only.

Use a wax free polish if one must be used.

CUSTOMER SERVICE

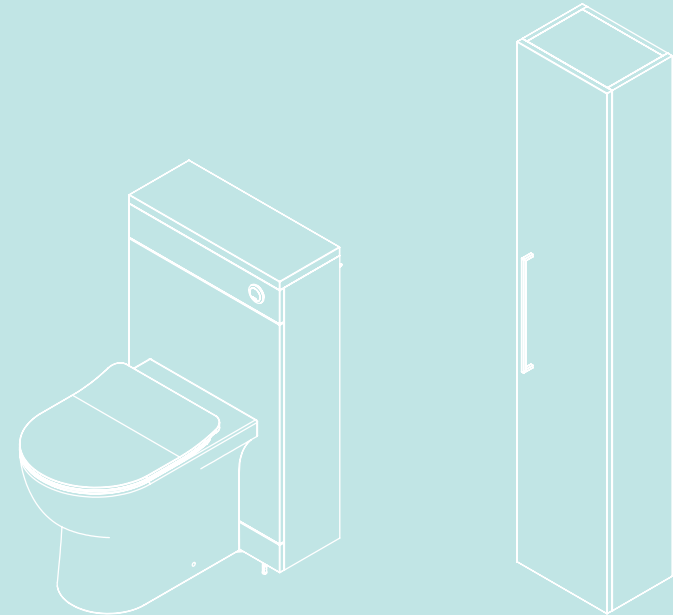
t: +44(0)208 686 5100
e: technical@saneux.com

Iain Stewart Centre, Beehive
Ring Road, Gatwick, RH6 0PB

www.saneux.com

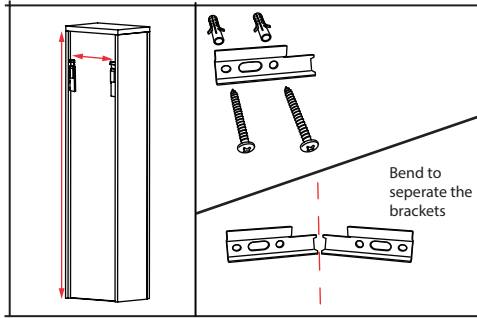
AUSTEN

INSTALLATION INSTRUCTIONS



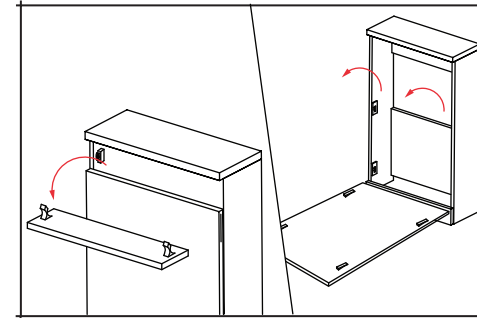
AU030S - AU050S

saneux



Side Unit Installation.

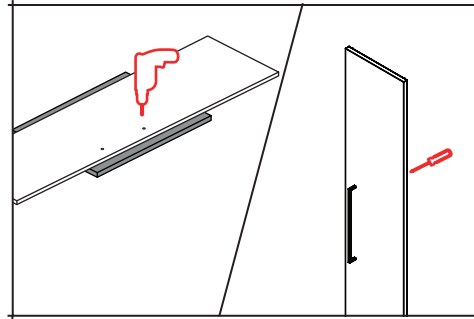
Mark the location of both mounting plates ensuring that they are positioned inside the side panels. Drill the wall, locate the wall plugs and secure the plates. The fixings supplied are for solid walls. For hollow or stud walls use specialist fixings.



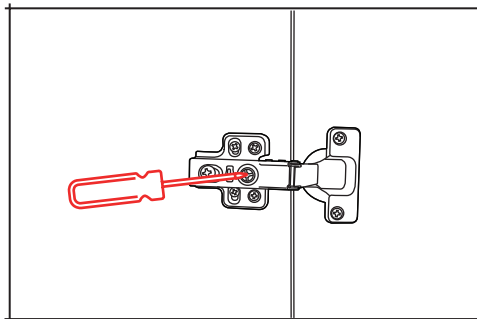
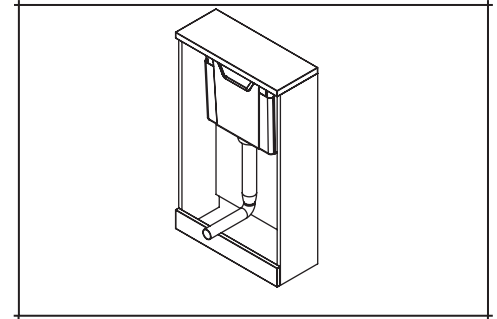
WC Unit Installation.

Remove the top front panel by gently pulling it off the push fit clips. Remove the main front panel by sliding it upwards off the push fit clips.

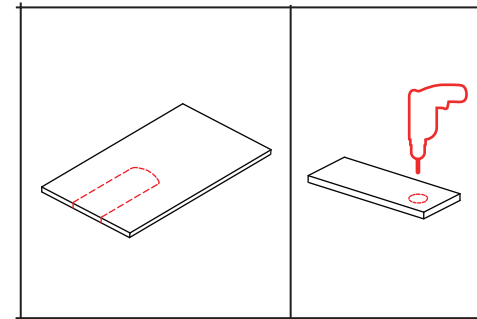
To ensure the paint does not come off the front panel, place the door front (face down) on a piece of wood. Drill the pilot holes for the handle width selected. Using a screw driver and the screws provided with the handle, secure the handle to the door front.



Refer to the cistern instructions and install the selected cistern.

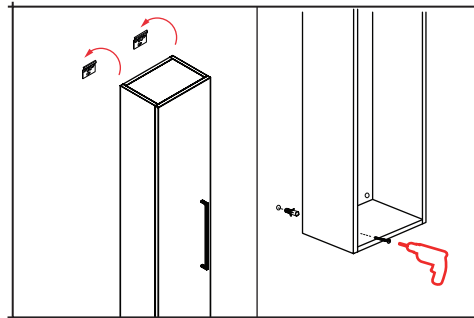


Assemble the door to the carcass and tighten the screws on the hinges ensuring the door is correctly aligned with the carcass.

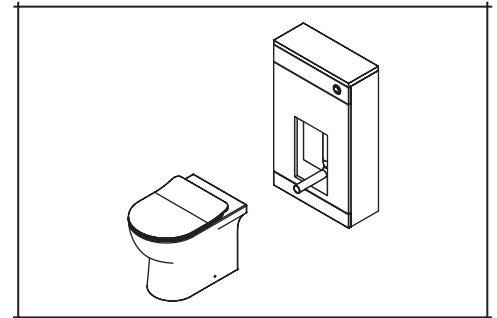


Measure the back of the pan and cut a suitable slot on the main panel to allow for the soil pipe and inlet pipe. Measure the diameter of the flush button and drill a hole on the top front panel.

Mount the side unit on the wall using the wall plates. Mark the location of the bottom holes and remove the unit from the wall. Drill the wall, insert plugs, re-mount the unit and secure it to the wall using the screws provided.



Refer to the cistern instructions and install the selected cistern inside the WC unit. Return the front panels to the carcass by re-mounting them on the push fit clips.



AFTERCARE INSTRUCTIONS

Do not introduce caustic chemical substances (e.g. containing chlorine compounds or similar) as these may damage the valve components and cause failure.

If the outside of the fill valve has calcium and mineral build-up; clean the valve by using vinegar and an old tooth brush to dissolve and break off the build-up on the surfaces of the fill valve. Then wash the valve with warm soapy water and then rinse with fresh water.

Warranty exclusions:

- Defects due to operation outside the recommended pressures,
- Defects due to foreign bodies, dirt, silt, or plaster in the cistern introduced after or during installation,
- Defects caused by faulty installation either incorrect to this instruction or outside of water regulations for the country of installation,
- Surface damage proven to be caused on site or during warehousing,
- Damaged caused by bleach, strong cleaners. S
- Note that the warranty period starts on delivery date as per a corresponding invoice and is valid for 1 year from that time against manufacturing defect.

Warning:

Saneux Ltd shall not be liable for incidental or consequential damages, including costs of installation, water damage, personal injury or for any damages resulting from abuse or misuse of the product, from overtightening or from failure to install or maintain this plumbing product in accordance with the written instructions.

CUSTOMER SERVICE

t: +44(0)208 686 5100
e: technical@saneux.com

4 Imperial Way
Croydon CR0 4RR

www.saneux.com



HC2030

INSTALLATION INSTRUCTIONS



HC2030

saneux

Before commencing installation please check the following:

- Please check for defects including damage, cracks or manufacturing faults before commencing installation.
- Check all components that are listed below are present.
- Please read this instruction booklet fully before commencing installation.
- Ensure pipework is cleaned before installation.
- Installation must be carried out to these instructions.
- Do not use plumbers mate or silicon sealings on any fittings.
- Ensure that frames, furniture and wall constructions can adequately carry the cistern when filled with 8kg of water.
- It is recommended to fit an in-line pressure reducing valve when pressure is over 8 bar static pressure.
- This cistern is preset to 6 litre full flush and 4 litre partial flush. Please ensure that the toilet being used with this cistern is suitable for 6.

Parts List

1. Cistern Tank
2. Cistern Lid
3. Fill Valve
4. Dual Flush Outlet Valve
5. Dual Flush Push Button
6. Stopper & Nut
7. 2" to 1.5" Outlet Pipe
8. Back Nut & Seal
9. Pan Connector
10. Installation Instruction
11. Cistern Fixing Bracket

NOTES:

Maintenance - Airgap

-To get the best results from your valve, please read these instructions carefully

IMPORTANT: Always clear any debris from the water line to complete installation

Cleaning

The cistern is fitted with a filter that may need cleaning occasionally to ensure that optimum waterflow is maintained. the filter is essential for correct functioning.

The procedure for cleaning the valve is as follows:

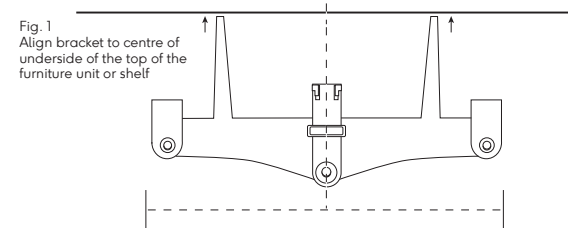
1. Turn off water supply
2. Disconnect water supply from threaded tail
3. Remove the filter/restrictor from the threaded tail
4. Clean the filter/restrictor by washing in water to ensure all grit and debris is removed
5. Re-insert the filter/restrictor into the tail and re-connect water supply. Turn on water.

Fault finding (Failure to operate)

Possible cause		Possible solution	
1.	Debris around diaphragm	1.	Isolate water supply. Remove cap (1/8 turn counter-clockwise). Remove diaphragm and clean in water or replace diaphragm
2.	Insufficient water supply flow/pressure	2.	Open isolation valves fully, inspect system & pipeline
3.	Cap not tightened	3.	Ensure cap is fully tightened clockwise against the stop
4.	Valve assembly is jammed	4.	Ensure float adjustment screw & attached components are free to move vertically
5.	Locking sleeve is 'up' (bottom entry only)	5.	Ensure float chamber and locking sleeve is 'down' (Locked position)
6.	Flow controller & filter is blocked	6.	Isolate & disconnect from water supply. Remove flow controller & filter from threaded shank to clean

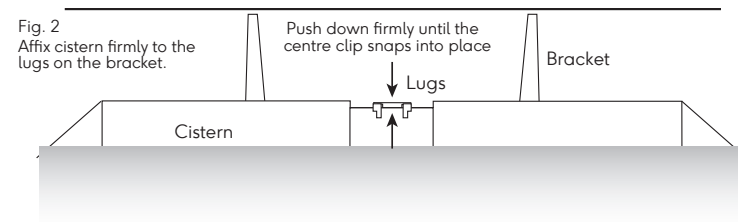
Installing the Cistern & Fixing Bracket

1. Position and fix the cistern support bracket in the centre of the furniture carcass or in line with the waste outlet of the WC. Ensure the indicator tabs are both level with the underside of the top of the furniture unit or shelf; this is to allow for the lid to be removed and provide clearance for valve removal through the front entry opening of the cistern.



2. It is advisable to make plumbing and pipework connections before installing the cistern so that the connections e.g. soldering, doesn't have to be made in restricted working areas such as furniture unit etc.

3. When the bracket is firmly fixed, the cistern can be secured to the bracket. Hold the cistern centrally to the bracket aligning the lugs with the recesses in the back of the cistern.

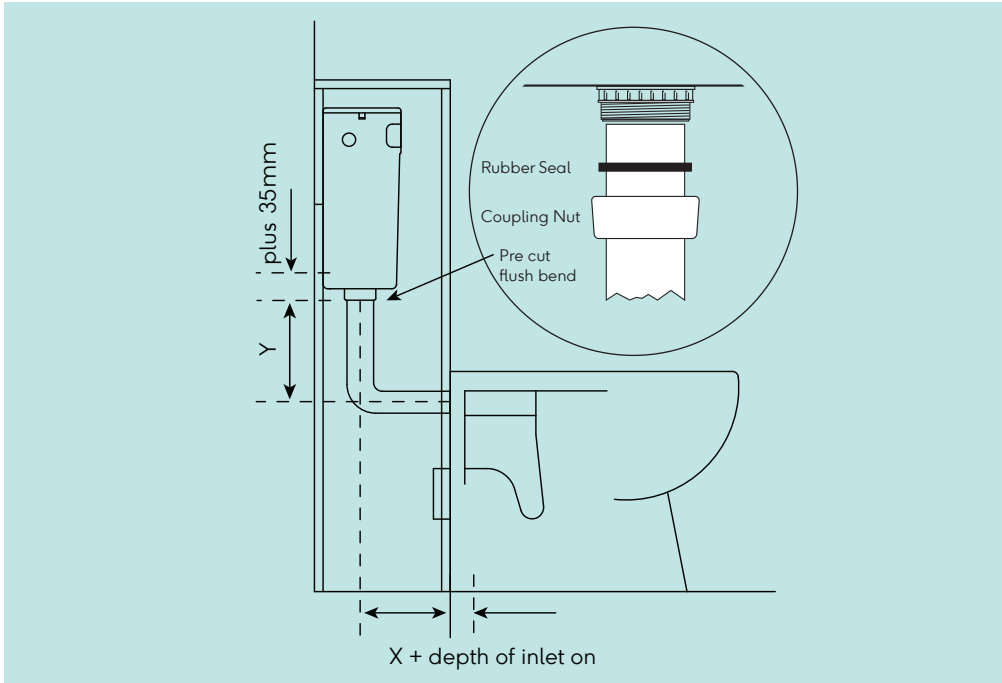


4. Gradually lower the cistern to engage on the lugs and push down firmly until the centre clip snaps into place. Moderate lateral movement is available to assist with the WC pan alignment.

5. Complete supply plumbing connections as installation requires. It is recommended that this is completed by a qualified plumber.

6. Cut the cistern flush pipe to size, remember that the large end of the pipe requires 35mm to project into the cistern valve. It is recommended to position the pan and check measurements before cutting. Remember to allow for the projection into the toilet inlet.

7. When satisfied with the fit, push the black inlet flush cone connector supplied onto the narrow end of the flush pipe.



8. When satisfied that the WC and flush pipe are correctly positioned push the black WC inlet connector securely into the WC inlet.

9. Make waste connections as required for the application using suitable waste connection. Refer to a qualified plumber and loosely fix the WC as per WC manufacturers instructions.

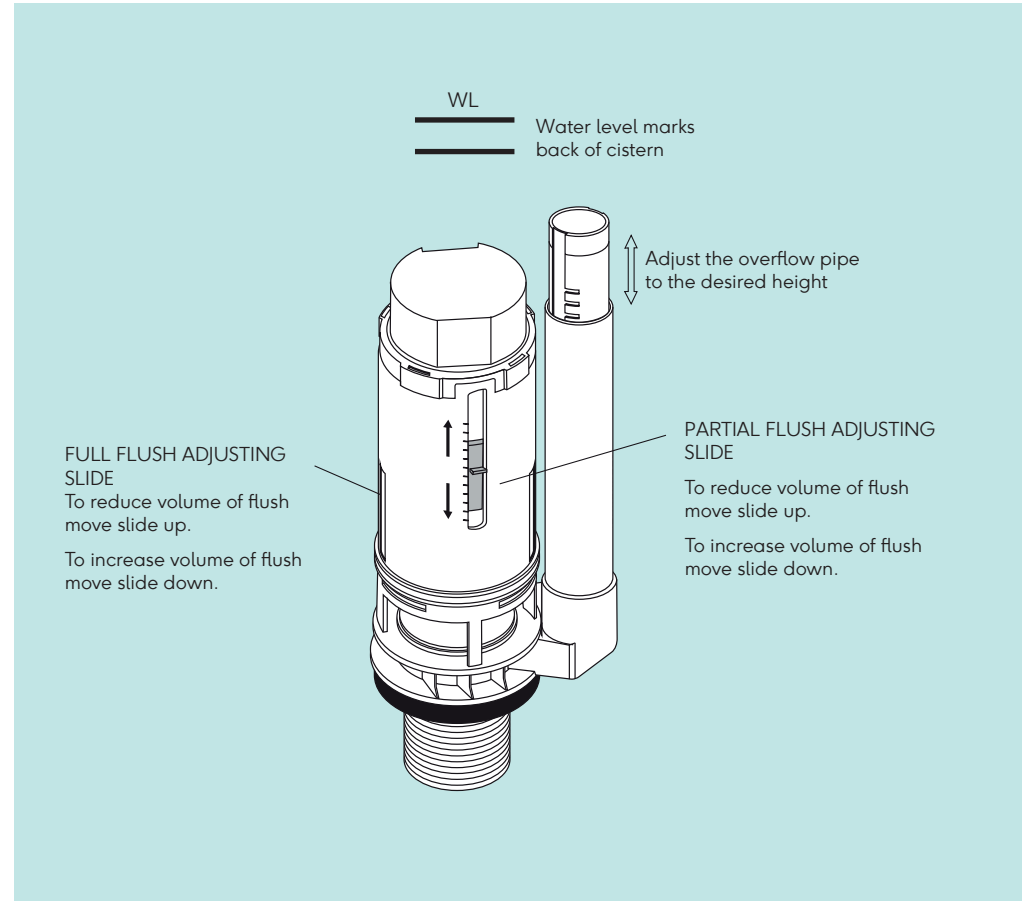
10. When the WC is loosely in position, ensure the rubber seal is in position as shown, then tighten the coupling nut on the drop valve to ensure a leak proof joint. Ensure the flush pipe and black inlet flush cone connector are firmly in place in the WC.

Special Instructions

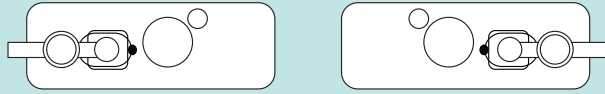
This cistern's flushing capacity can be reduced by following the instructions below.

Firstly set the inlet valve to achieve the lower waterline (172mm).

The Valve has two adjustments:



The position of the overflow is important to the operation dependant on which side the inlet is positioned.



Side inlet valve installation

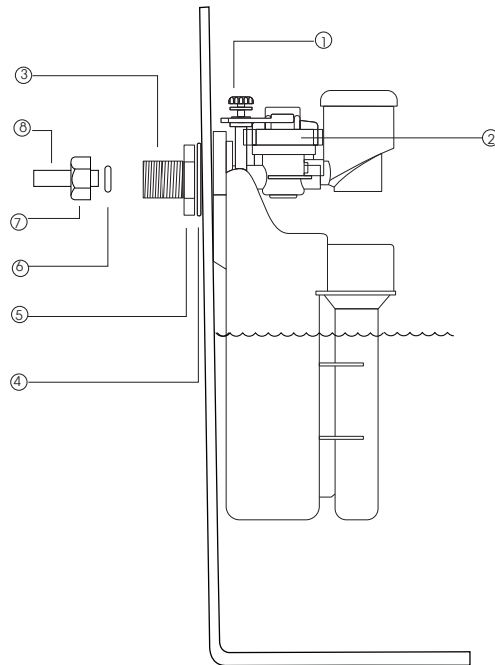
1. Assemble the valve as shown in the diagram.

Note: An extra back nut is provided so that the length of exposed thread can be reduced when fitting into units 500mm wide using the elbow provided. A blanking plug is supplied to blank the opposite side inlet hole of the cistern tank.

Parts list:

- 1. Float adjustment screw
- 2. Cap assembly
- 3. 1/2" or 3/8" threaded shank
- 4. Washer
- 5. Back Nut
- 6. Washer seal (Not supplied)
- 7. Tap connector (Not supplied)
- 8. Supply line

Check the water line, if adjustment is required use the screw to adjust the float up and down to fill to the water line marked in the cistern.

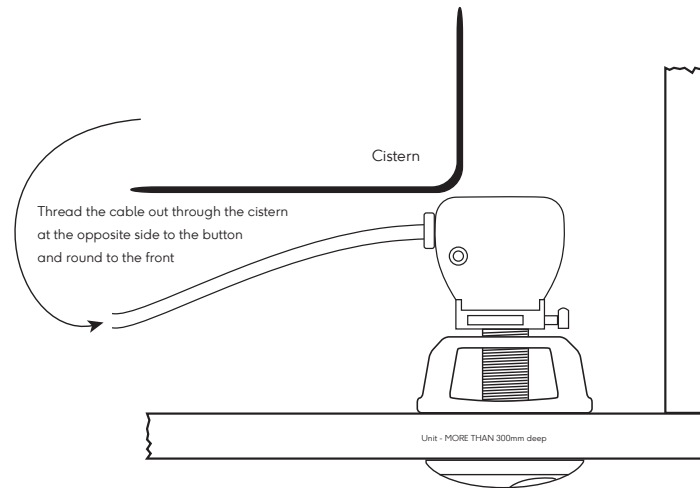


11. Now place the pre-cut front panel (see furniture manufacturers instructions) between the WC and cistern and check the WC to the flush pipe and waste connections. If installing behind tiled or construction remember to allow access to the cistern for maintenance and final settings.

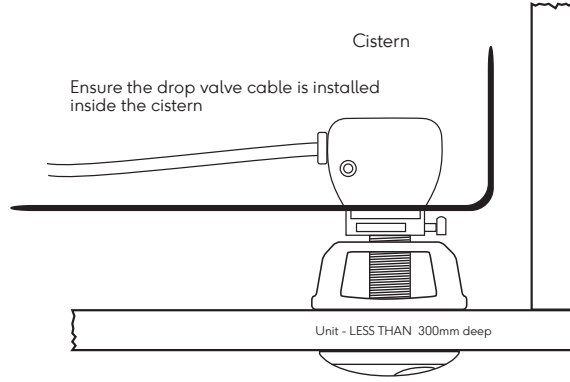
12. When installing the flush button choose either option 1 or 2. If choosing option 1 discard the 'flush button spacer/cover'. If choosing option 2 the 'flush button spacer/cover' is placed on the outside of the furniture.



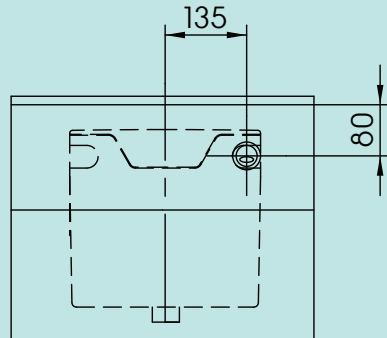
13. If the unit is more than 300mm deep the position of the button can be adjusted to suit. Position the run of the cable as shown below for this application. Note that the hole size is Ø38mm for the button.



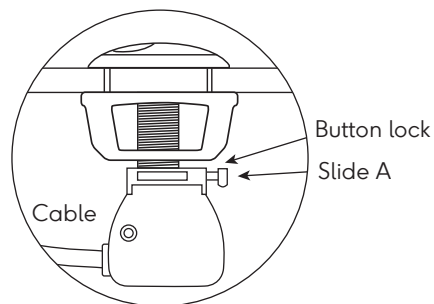
14. For units less than 300mm deep the cable should be positioned inside the cistern as shown below.



15. The dimensions for positioning the cistern button are provided below. Note that the hole size is Ø38mm.



16. Connect the button by fixing the button to the front face of the unit using the large outer nut, press 'slide A' to attach the button.



17. Turn on the water after all connections have been made and if necessary adjust the inlet valve to correct the waterline. This will be pre-set in assembled units but should be verified by the installer.

18. Place the lid onto the cistern and click side clips in place.

19. Before replacing the access panel into position please ensure the cable is not restricted or compressed to prevent operation of the button. Also extra care should be taken to ensure that in narrow units the housing at the rear of pushbutton fits into the cistern cut outs.

20. Check the button operates the valve correctly and closes when released.

NOTE: It is the responsibility of the installer to ensure that all joints in the tank are water tight even on pre-installed units before leaving site.

Never allow the front facia to hang suspended by the cable only, this will affect the operation and cause "kinks" in the cable.

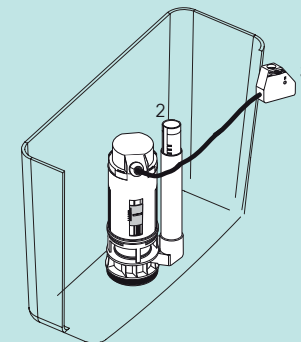
Assembly of the Cistern

Note: Refer to the instructions where applicable if a pre-assembled unit requires the inlet valve on the opposite side to pre assembly.

1. Before beginning installation consider which side the inlet valve should be positioned.

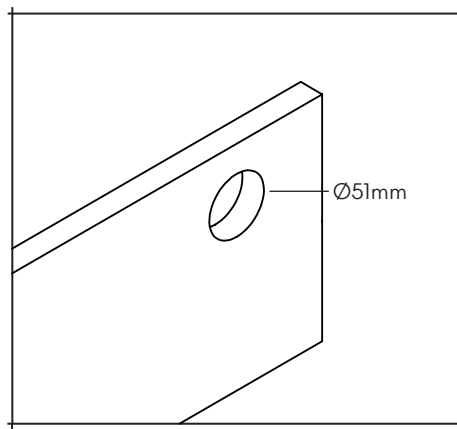
2. Position the valve inside the tank ensuring 10mm internal seal washer is on the threaded shank first. Push down on the valve body and tighten up the lock nut.

Note: The cable and overflow should be positioned the opposite side to the valve. The position of the overflow is important to the operation dependant on which side the inlet is positioned.

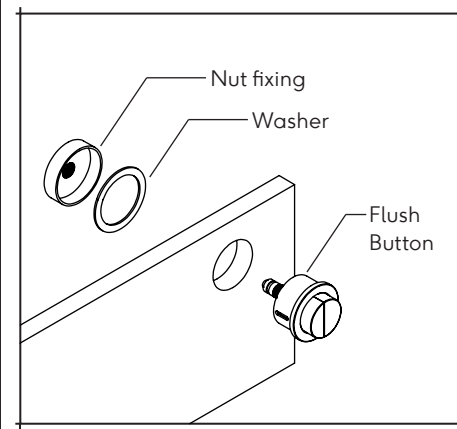


HC2030FB

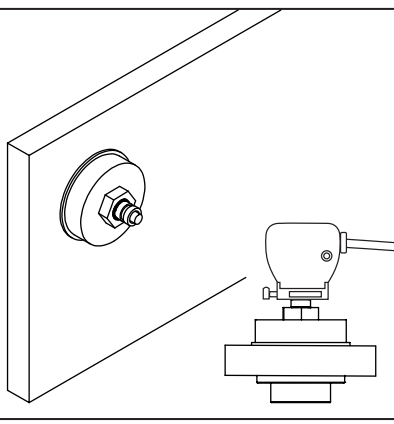
INSTALLATION INSTRUCTIONS



1 -
Mark the location for the flush button and using $\text{Ø}51\text{mm}$ Hole saw cut through the medium you intend to mount the flush button onto.



2 -
Remove the nut fixing and washer from the flush button and place through the hole. Then orientate the button and add the washer and tighten the nut fixing securely from behind.



3 -
Attach the HC2030
cistern to the
button.

OPERATION INSTRUCTIONS

To operate the button follow
these steps:

For half flush:
Press both buttons until you
feel resistance.

For full flush:
Press the larger button in till
it is flush with the housing.

AFTERCARE INSTRUCTIONS

This product has a high
quality, durable finish which
in order to preserve, should
be treated with care.

Clean with warm soapy
water and a soft damp cloth
only.

Cleaning products,
including non-scratch ones
could damage the finish.

V2 . AJ . 06/21

CUSTOMER SERVICE

t: +44(0)208 686 5100
e: technical@saneux.com

4 Imperial Way
Croydon CR0 4RR

www.saneux.com

SANEUX | TECHNICAL