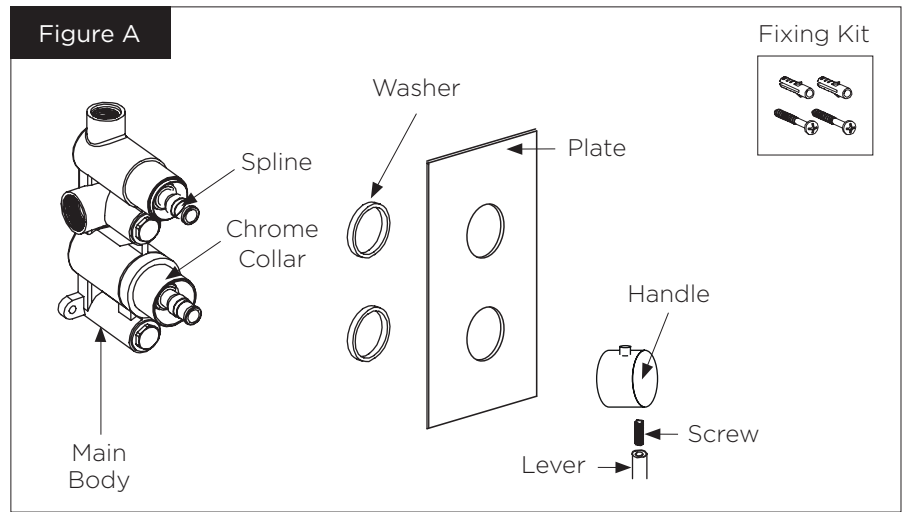


Concealed Valves Instruction

INTRODUCTION

The model supplied may vary from the image shown. Please note that the general installation process for all Concealed Valves are the same and the following guide will take you through the process.

Before installation identify all components and inspect the product for any damage. A claim will not be accepted if an obvious defect is found after installation.

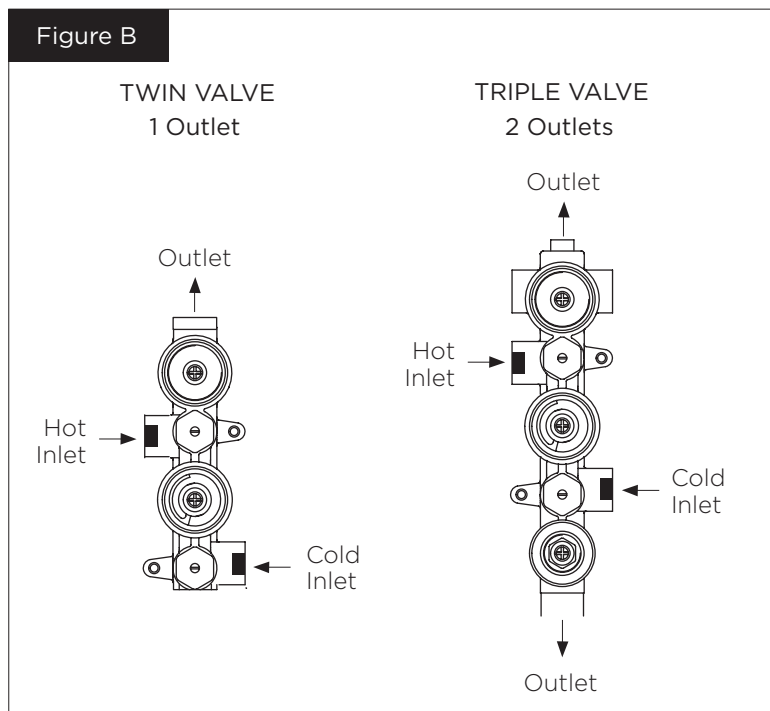


IMPORTANT

If you are unsure of any part of the instructions in this document then we recommend that you contact a reputable qualified trades person.

INSTALLATION

- 1) Prior to installation, flush out the pipework. Turn off the water supply before commencing installation.
- 2) Determine the mounting position and prepare recess for the valve. Make the recess in the wall accordingly to the dimension of the shower valve, please see datasheet. The valve should be attached below the finished surface to allow the cover plate to fit correctly and flush against the wall.
- 3) Position the valve in place and mark through the pre-drilled screw holes on the body, then drill the marked points before inserting wall plugs into the wall holes.



- 4) The supply pipework must be plumbed according to valve type [B] and must finish at the suitable connections depending on the position of outlets. Allowance must be made for some adjustment when fitting the valve.

- 5) Ensure the inlet and outlet are connected to their corresponding pipeworks correctly with necessary sealant.

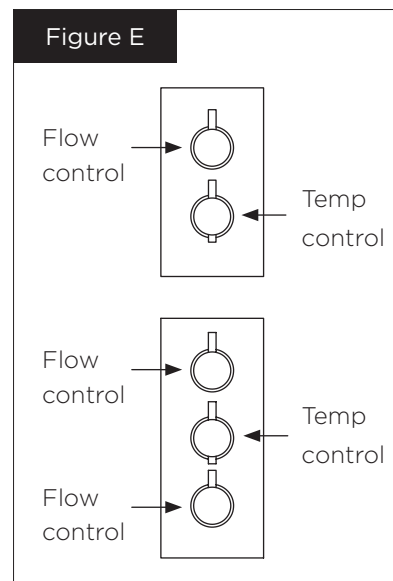
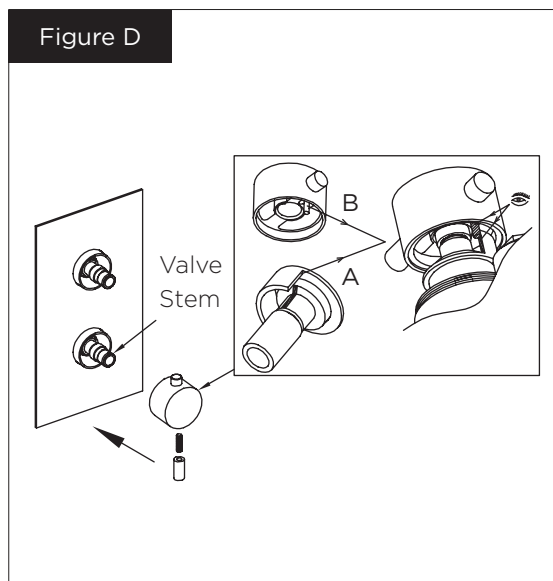
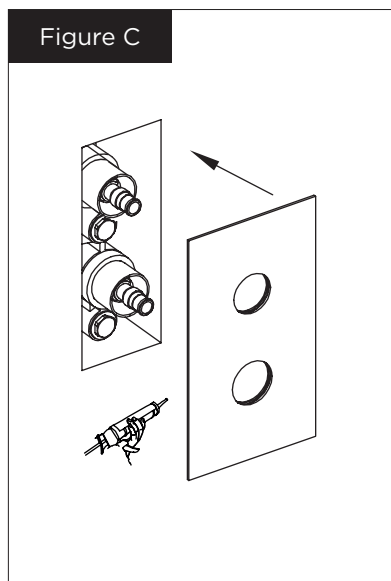
- 6) Hold valve in place and secure to the wall with fixings.

- 7) Once the valve and wall outlets are fitted, prior to fitting the cover plate ensure all connections are watertight.

Concealed Valves Instruction

8) The cover plate is fitted by applying clear silicone sealant around the back edge of the cover plate and carefully pressing into position until it is flush with the tiles. [C]

9) Fit the rubber washer, handle body, grub screw and handle lever. Fit the stop lug and handle body with part A and B aligned by pushing fully onto the shaft. Hold firmly in position, screw and tighten the handle lever. [D]

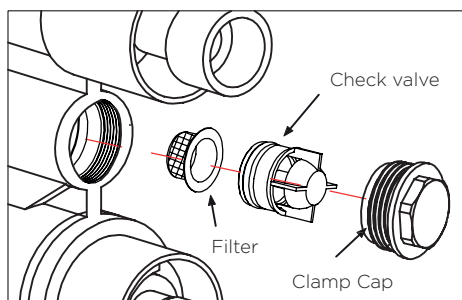


Temperature Setting Procedure

Use the flow control button to control the water flow [E]. Turn on the water supply and test all pipework for leaks. Allow water to stabilise, this should be at approximately 38°C when aligned as shown [D]. If the temperature is not 38°C you will need to adjust by following the temperature reset steps below:

1) Unscrew the handle. 2) Adjust the temperature, contact a reputable trades person if any doubt. 3) Once the temperature is set correctly, fix the handle back to the valve. [D]

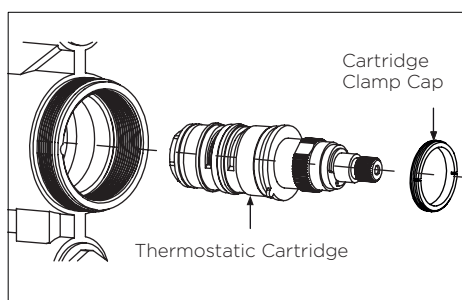
Concealed Valves Instruction



Maintenance (Filter)

Over time there may be some waste debris from the water pipe on and around the check valve or cartridge, follow the below steps to clean:

Remove chrome parts to prevent damage > Remove the valve clamp cap > Use pliers to remove the valve and filter > Wash the filter with clean running water, dry and lightly grease seals (use silicone grease only) > Return the filter and valve then tighten the clamp cap.



Maintenance (Thermostatic Cartridge)

In the event of failure follow the below steps to service the cartridge:

1) Remove the cartridge clamp cap > 2) Pull out the thermostatic cartridge > 3) Wash the filter with clean running water, dry and lightly grease seals (use silicone grease only) > 4) Return thermostatic cartridge then tighten the clamp cap.

Guarantee

For full details of our guarantee please refer to our website. Our products are backed by a 10 year guarantee, this is only valid to customers who complete and submit the online Niagara® Guarantee Registration Form within 30 days of installation. Please note that products with finishes other than Chrome are guaranteed for 2 years only, these products must also be registered online to activate the 2 Year Guarantee. To register and activate your guarantee please visit www.niagarabathrooms.co.uk

Aftercare

Care **MUST** be taken when cleaning our products to avoid damaging the fitting or finish. To maintain the appearance of the fitting, please ensure it is cleaned regularly using only a clean soft damp cloth. Whilst all of our products are durable the finishes are vulnerable to some strong substances, we only recommend the use of warm soapy water, **DO NOT** use abrasive sponges, strong household cleaners, scouring agents, organic solvents or acidic cleaners as they may cause surface deterioration, peeling or change of colour.