

AFTERCARE INSTRUCTIONS

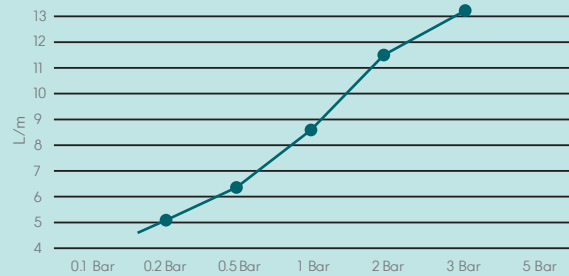
This product has a high quality, durable finish which in order to preserve, should be treated with care.

Clean with warm soapy water and a soft damp cloth only.

Cleaning products, including non-scratch ones could damage the finish surface.

Maintain your brassware by wiping dry after use, removing water drops and any soap deposits.

Water Flow Rate:



CUSTOMER SERVICE

t: +44(0)208 686 5100

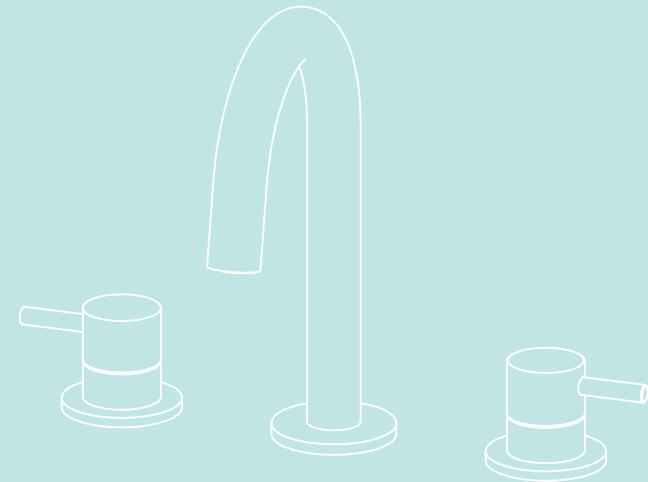
e: technical@saneux.com

Iain Stewart Centre, Beehive
Ring Road, Gatwick, RH6 0PB

www.saneux.com

COS

INSTALLATION INSTRUCTIONS



CO203

saneux

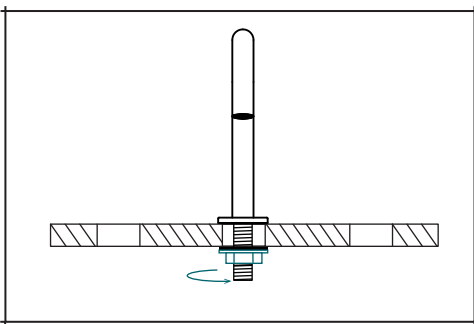
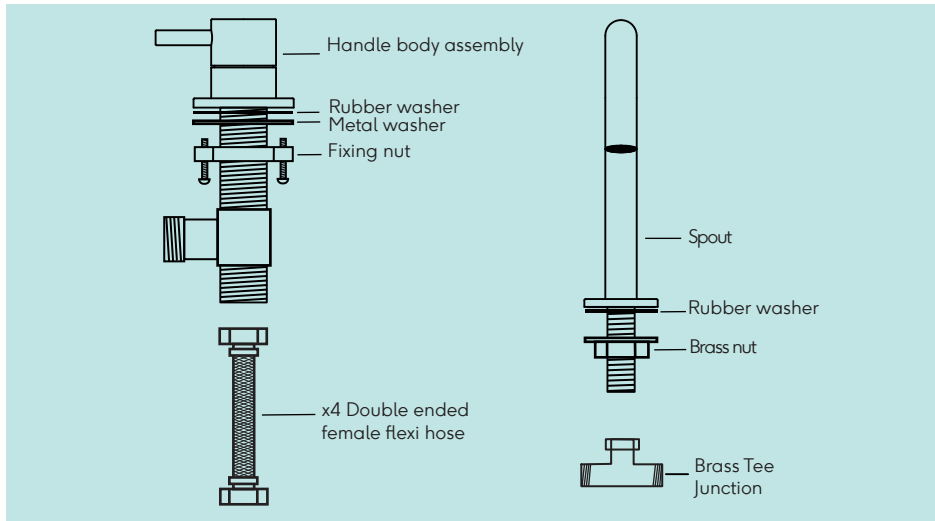
BEFORE YOU BEGIN

Be sure to flush the pipes of any possible debris before connecting the tap to the water supply as this could cause damage to the tap.

Ensure all components are present prior to installation.

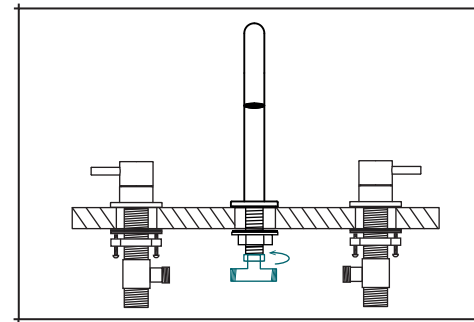
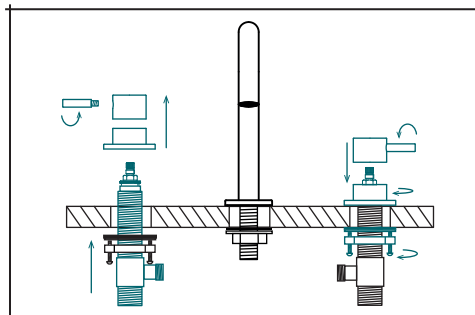
Before installation ensure the water mains are off.

COMPONENTS

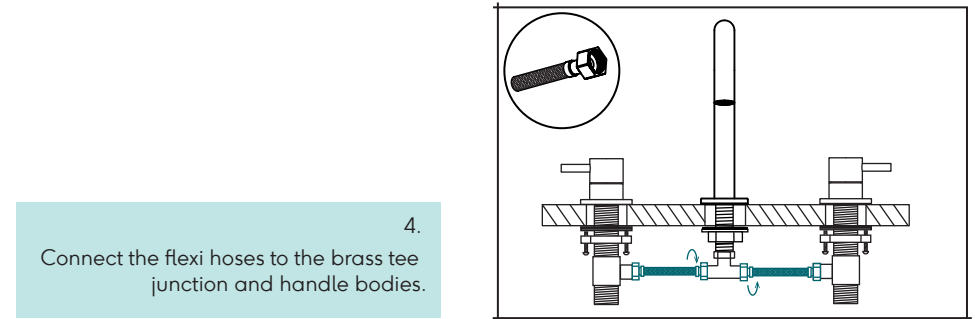


1. **INSTALLING THE SPOUT.**
Fix the spout onto the basin or countertop by tightening the brass nut from underneath.

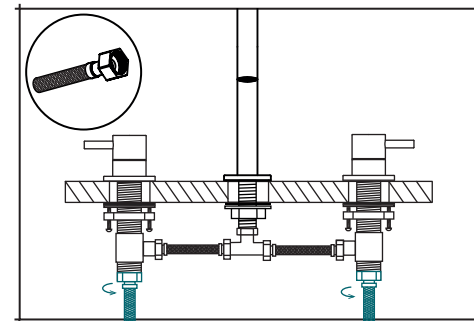
2. **INSTALLING THE HANDLES.**
Unscrew the handle lever to reveal the grub screw. Remove grub screw, and slide the handle off the cartridge. Unscrew the handle collar. Thread the body of the handle assembly through the bottom of the tap hole. Reassemble the handle. Tighten the fixing nut from underneath to secure in place.



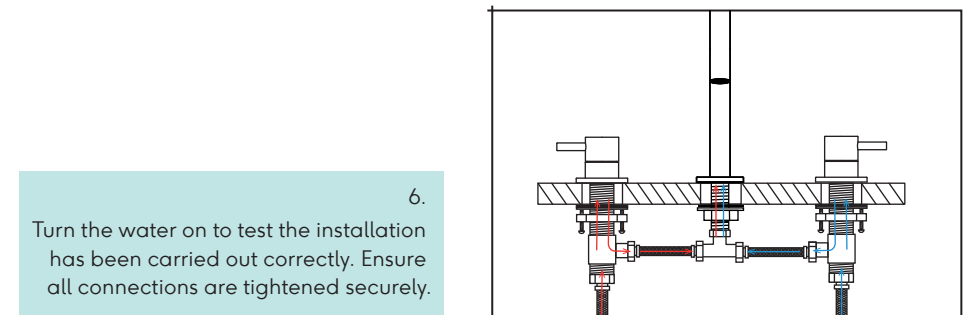
3. **Screw the brass tee junction to the thread protruding from the spout.**



4. **Connect the flexi hoses to the brass tee junction and handle bodies.**



5. **Screw the flexi pipes onto the bottom of the handle body and connect to the mains.**



6. **Turn the water on to test the installation has been carried out correctly. Ensure all connections are tightened securely.**