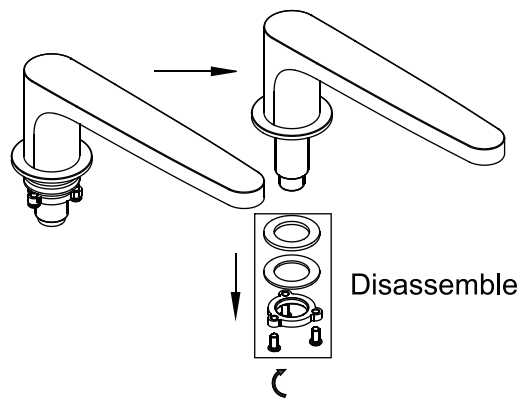


Installation Method

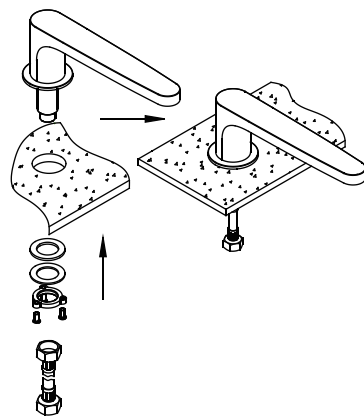
8

Disassemble the installation kit



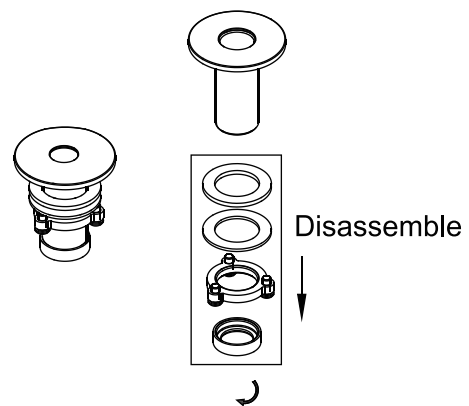
9

Put bottom of spout kit through the installation hole, then connect the beneath fixing kit and the upper outlet hose



10

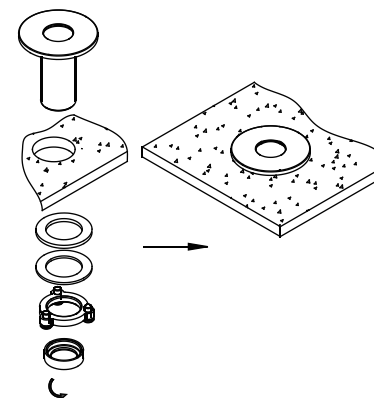
Prepare the shower bracket, disassemble it in anti-clockwise rotation



Installation Method

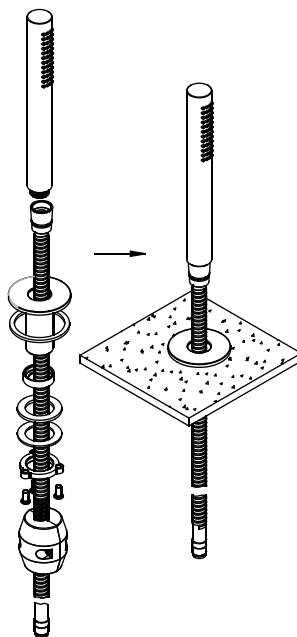
11

Put the upper part of bracket into the installation hole, then fix the left spare parts upward to the beneath of marble desk or basin



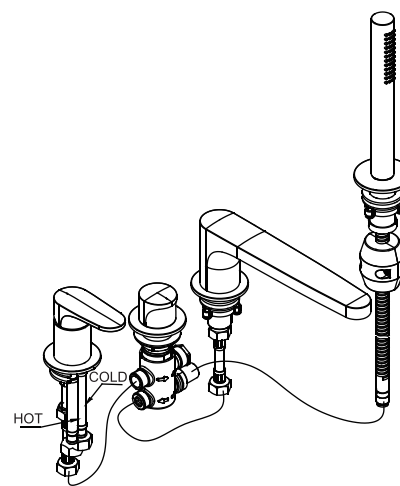
12

Fix the hand shower onto the shower hose, put shower hose through the bracket hole, then fix on the iron weight



13

Finished

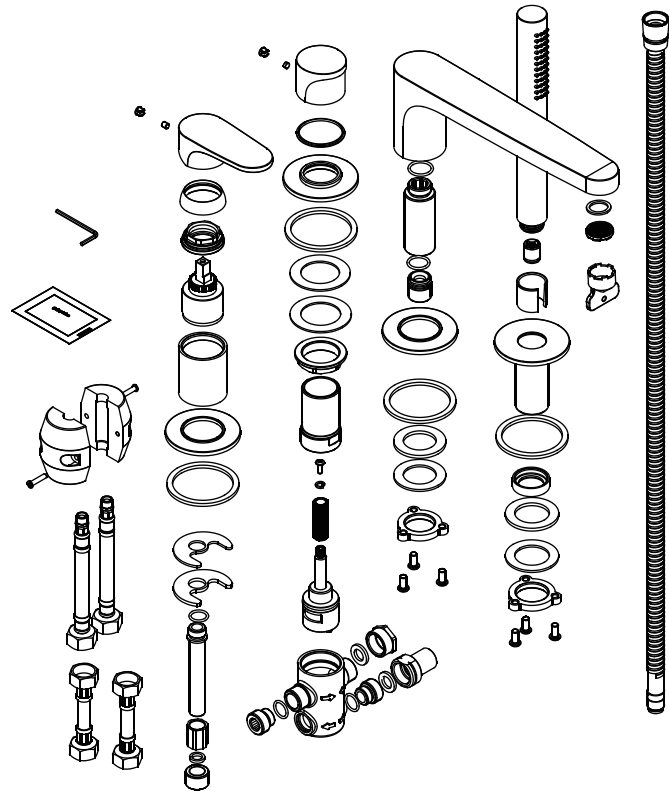


RAK

CERAMICS

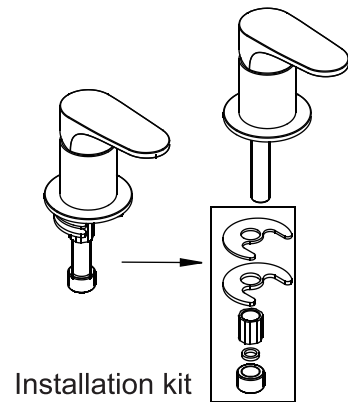
Deck-mounted bath/shower mixer
Instruction Guide

Installation Method



1

Prepare the cartridge set ,disassemble the bottom installation kit

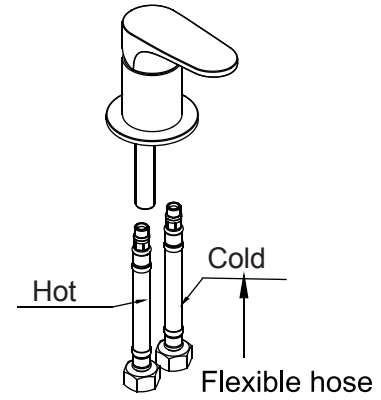


Installation kit

Installation Method

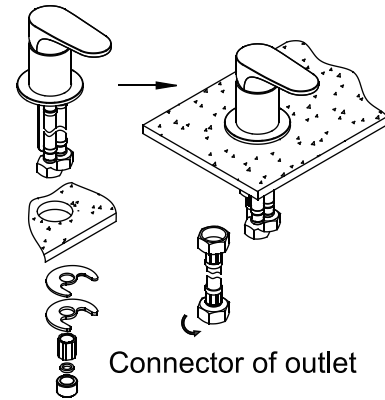
2

Install the flexible hose



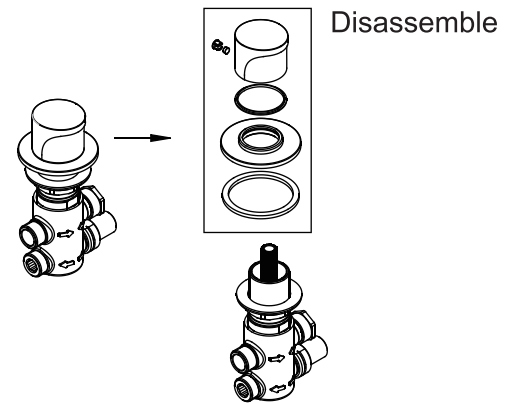
3

Put the installation bolt & flexible hose through the installation hole, then fix on the installation kit tightly, prepare the connector of outlet



4

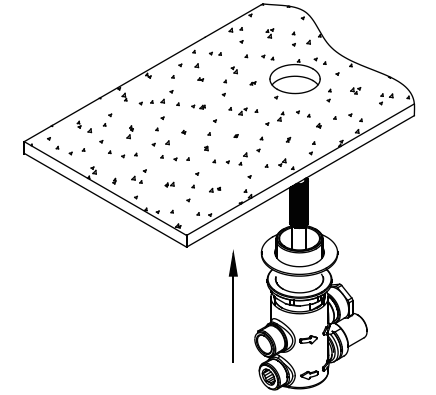
Take out the diverter valve set,disassemble the handle set



Installation Method

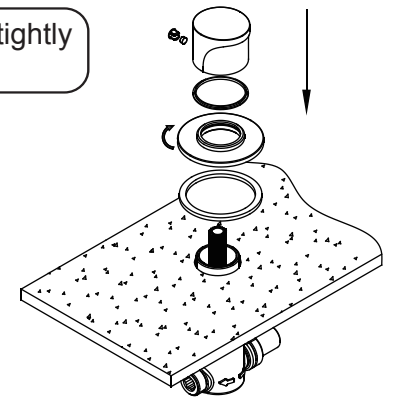
5

Install the bottom valve kit to the beneath of installation hole



6

Connect the handle set tightly with the bottom valve kit



7

Using spanner to fix on the fixing screw in clockwise rotation and put on the plug

