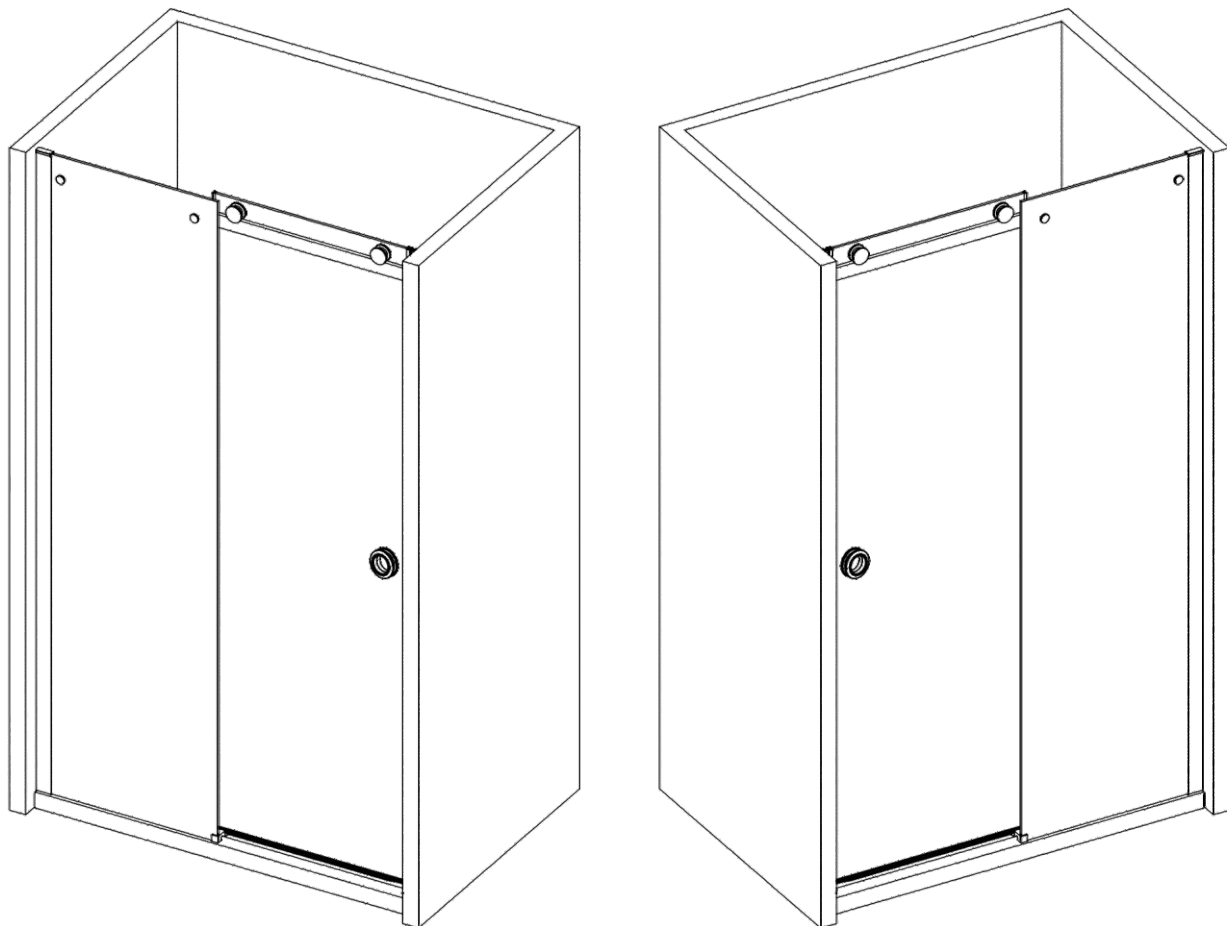


SPHERE + SLIDER



| | | | |
|------------|------------|------------|------------|
| OBSP1200BB | OBSP1400BB | OBSP1600BB | OBSP1700BB |
| OBSP1200BC | OBSP1400BC | OBSP1600BC | OBSP1700BC |
| OBSP1200C | OBSP1400C | OBSP1600C | OBSP1700C |
| OBSP1200SM | OBSP1400SM | OBSP1600SM | OBSP1700SM |

- Please read these instructions in full before installing

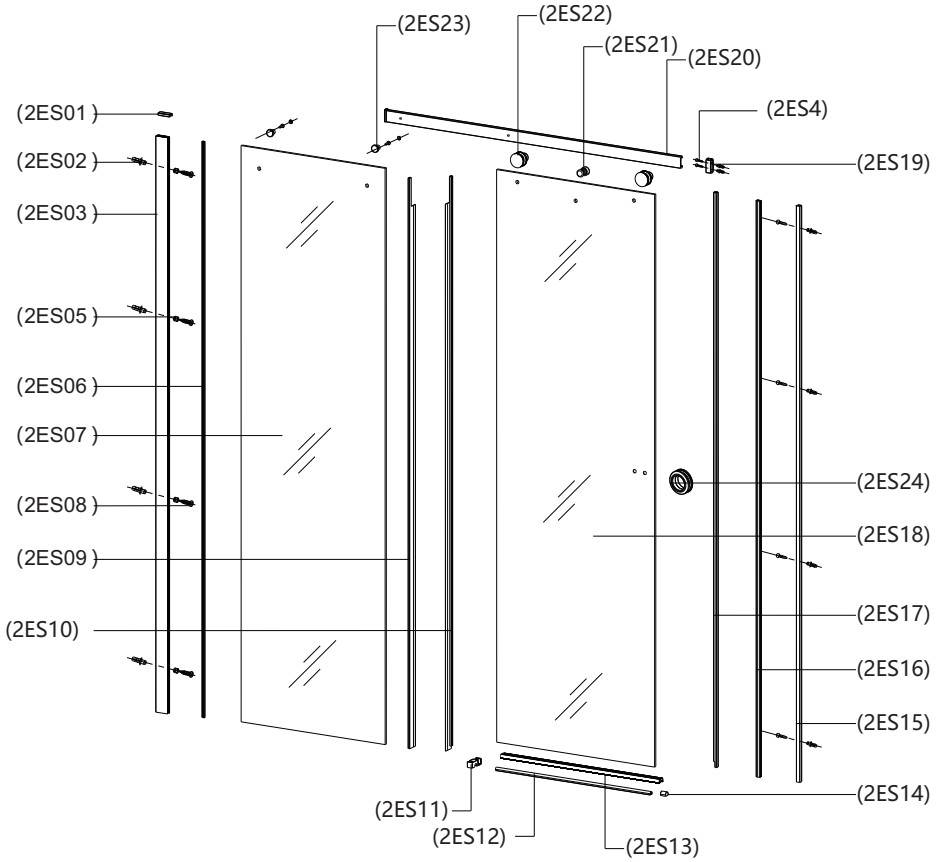
IMPORTANT

- If this product is installed on top of shower tray, order to achieve a better water proof function, it is strongly suggested that the tray's threshold width is not less than 60mm.
- Check that the tray has been installed to the manufacturer's instructions.
Please note - All product is supplied without a tray.
- Opening wall adjustments
1200mm Slider - adjustment = (1160-1190) x 1950mm
1400mm Slider - adjustment = (1360-1390) x 1950mm
1600mm Slider - adjustment = (1560-1590) x 1950mm
1700mm Slider - adjustment = (1660-1690) x 1950mm


















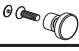





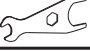





GENERAL SAFETY INSTRUCTIONS

- Do not fix the wall profile to newly plastered, painted or papered walls as chemical reaction may cause discolouration to the surface finish.
- Important: The wall plugs included in this pack are for solid walls only. If the product is to be mounted on a partition or stud wall, specialised fixings should be purchased separately.
- Fixing tips; A piece of insulating tape or a couple of layers of masking tape applied to the wall before marking out the fixing holes will help stop the drill from wandering, particularly on tiled surfaces.
- When working near a basin or bath insert the plug into the waste, this will help you avoid losing small parts. Also take care not to drop accessories or tools onto the bath or basin, use a towel or bathmat to protect delicate surfaces.
- CAUTION!
Before drilling into any walls check that there are no hidden cables or pipes. Exercise great care when using power tools near water. The use of a residual current device (RCD) or cordless drill is recommended. Always double check the positioning and measurements before drilling holes.
- This product is heavy and requires two people during lifting and operations.
- Glass is delicate, support on cardboard to minimise risk of damage.











IDENTIFICATION OF PARTS

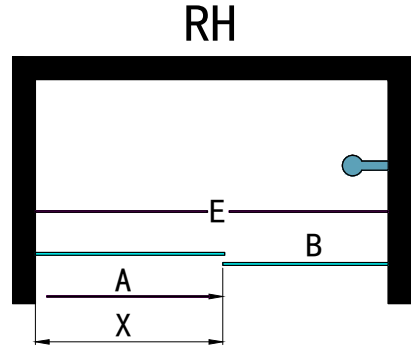
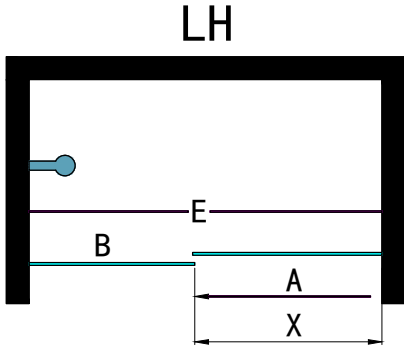


Fixings & fittings supplied

| Item No.: | Part | Quantity | Item No.: | Part | Quantity |
|-----------|--|----------|-----------|---|----------|
| 2ES01 |  | X 1 | 2ES15 |  | X 1 |
| 2ES02 |  | X 10 | 2ES16 |  | X 1 |
| 2ES03 |  | X 1 | 2ES17 |  | X 1 |
| 2ES04 |  ST3.9X40 | X 2 | 2ES18 |  | X 1 |
| 2ES05 |  | X 4 | 2ES19 |  | X 1 |
| 2ES06 |  | X 1 | 2ES20 |  | X 1 |
| 2ES07 |  | X 1 | 2ES21 |  | X 1 |
| 2ES08 |  ST3.9X35 | X 8 | 2ES22 |  | X 2 |
| 2ES09 |  | X 1 | 2ES23 |  | X 2 |
| 2ES10 |  | X 1 | 2ES24 |  | X 1 |
| 2ES11 |  | X 1 | 2ES25 |  | X 1 |
| 2ES12 |  | X 1 | 2ES26 |  | X 2 |
| 2ES13 |  | X 1 | 2ES27 |  25mm | X 1 |
| 2ES14 |  | X 1 | 2ES28 |  4mm | X 1 |
| | | | 8FR17 |  | X 2 |

Tools required (not supplied)

| | | | |
|------------------------|---|------------------|---|
| Electric drill |  | tape measure |  |
| drill (Ø 3.2mm) |  | rubber hammer |  |
| drill (Ø 6mm) |  | knife |  |
| cross tip screw driver |  | pencil |  |
| spirit level |  | silicone sealant |  |



A: Moving Panel
 B: Fixed Panel
 E: Mounting dimension
 X: Door Opening

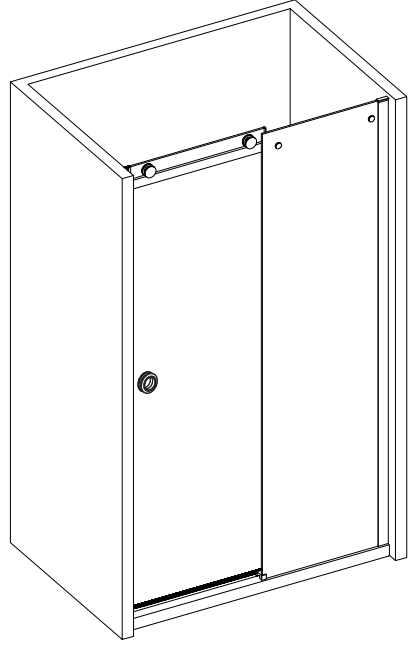
| Size | A | B | E | X |
|------|-----|-----|-----------|-----|
| 1200 | 620 | 535 | 1160-1190 | 615 |
| 1400 | 695 | 660 | 1360-1390 | 690 |
| 1600 | 745 | 810 | 1560-1590 | 740 |
| 1700 | 745 | 910 | 1660-1690 | 740 |

○ Recommended shower head position

Product Direction



LH



RH

The slider is ok to be installed in left hand and right hand. The following step is based on left hand. For right hand, please follow the step in mirror direction.

ASSEMBLY INSTRUCTIONS

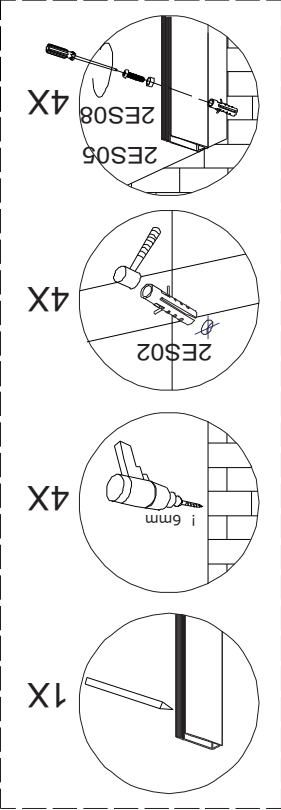
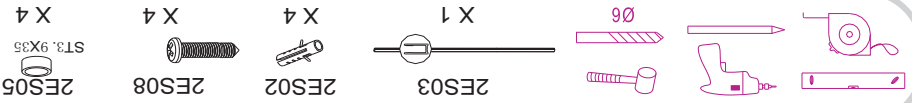
- Put the wall profile (ZES03) against the wall and ensure it is vertical by spirit level.

- Mark the holes on the wall.

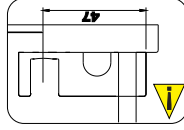
- Drill the holes accordingly.

- Insert wall plug ZES02 into the holes.

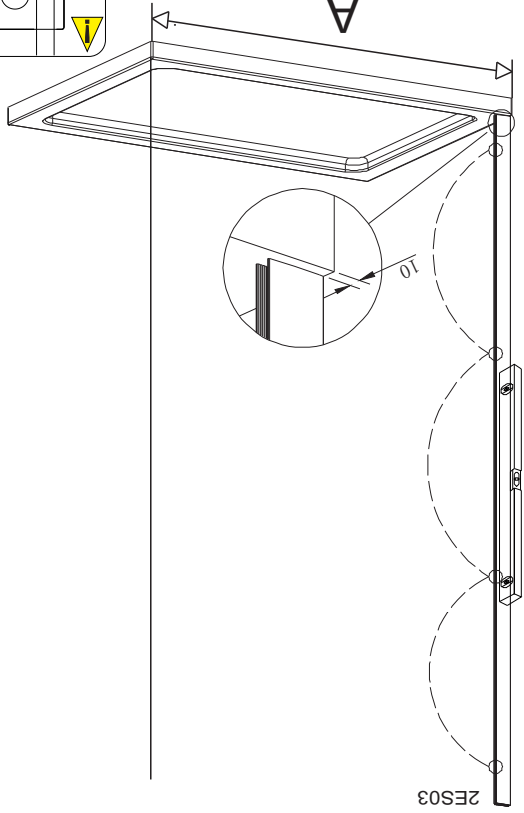
- Fasten the wall profile on the wall with screw ZES08 and ZES05.



Please note that the width of the sliding guide which stands on the tray threshold should be no less than 47mm.



| | |
|------|-----------|
| 1700 | 1660-1690 |
| 1600 | 1560-1590 |
| 1400 | 1360-1390 |
| 1200 | 1160-1190 |
| | A |



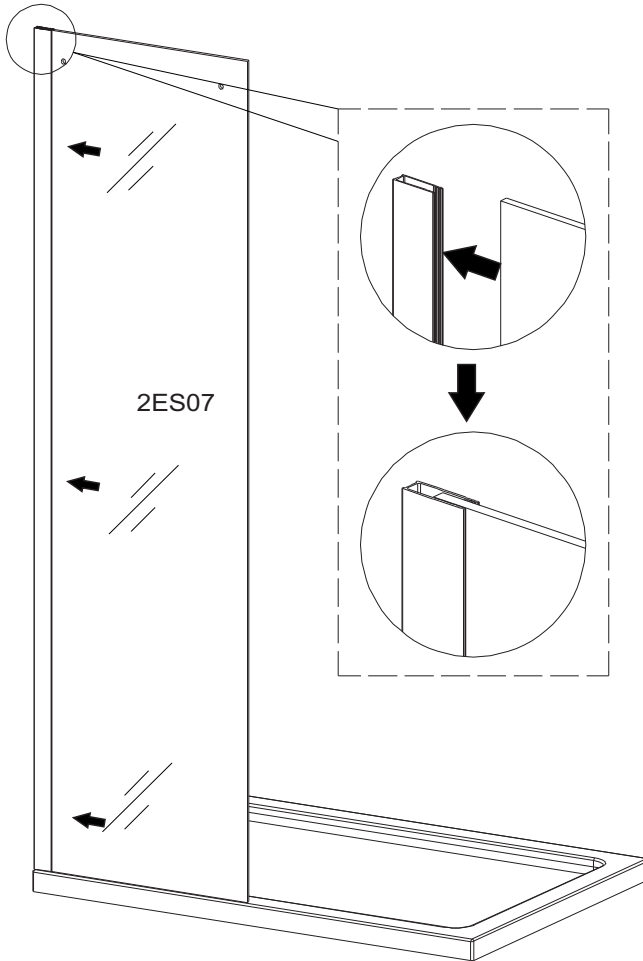
② ASSEMBLY INSTRUCTIONS

2ES07

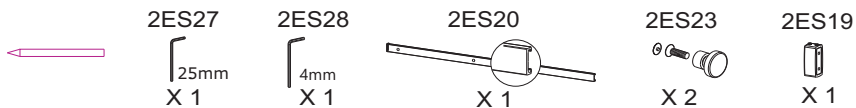


X 1

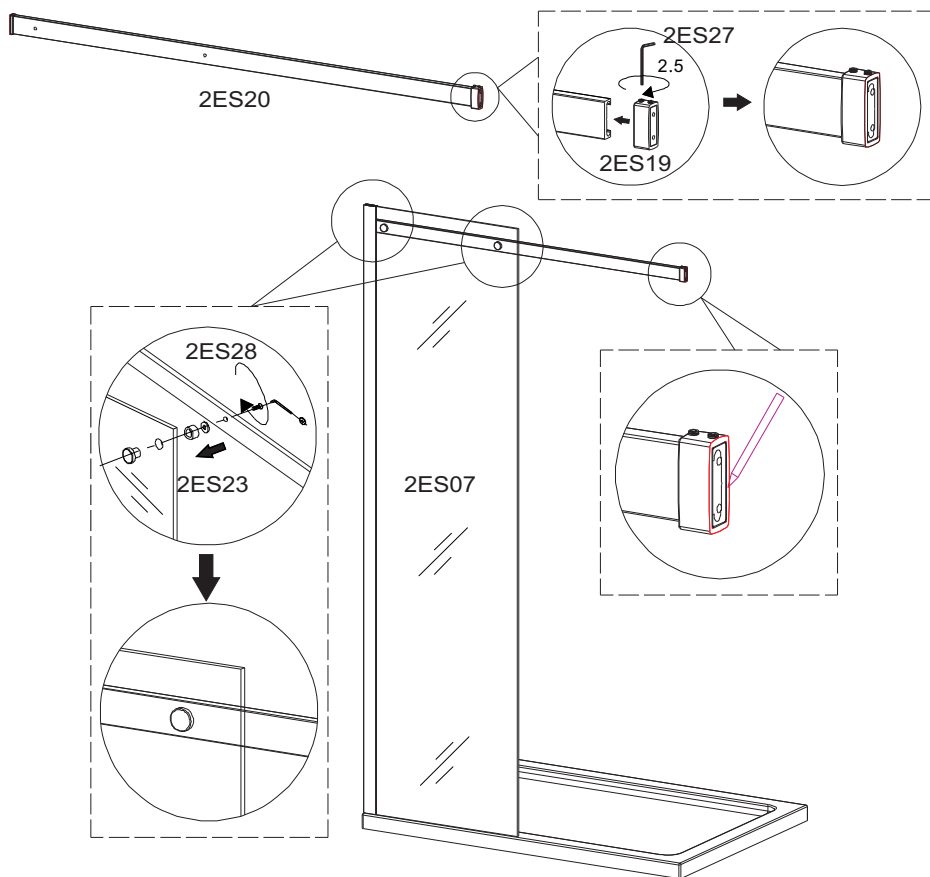
-Insert fix panel 2ES07 in to the channel of wall profile.



③ ASSEMBLY INSTRUCTIONS



- Mount wall bracket 2ES19 on the end of rail profile 2ES20 . Fasten the screw by hex key 2ES27 .
- Mount rail profile 2ES20 on fix panel 2ES07 by fixing part 2ES23 and 4mm hex key 2ES28 . Cover the screw on the back .
- Mark the position of wall bracket on the wall .



④ ASSEMBLY INSTRUCTIONS

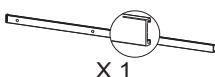
2ES27



2ES28



2ES20



2ES23

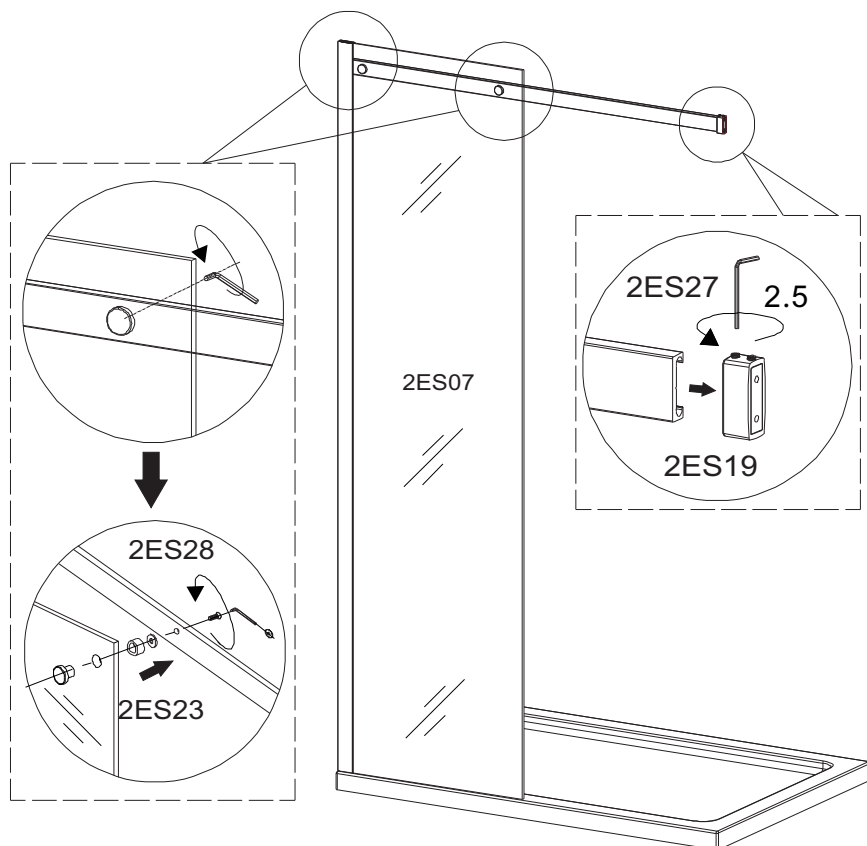


2ES19



-Disassemble the rail profile 2ES20 from fix panel 2ES07 by loose fixing part 2ES23 with hex key 2ES28.

-Disassemble the wall bracket 2ES19 from rail profile 2ES20 by loose screw with hex key 2ES27.



5 ASSEMBLY INSTRUCTIONS



2ES02



X 2

2ES04



ST3. 9X40

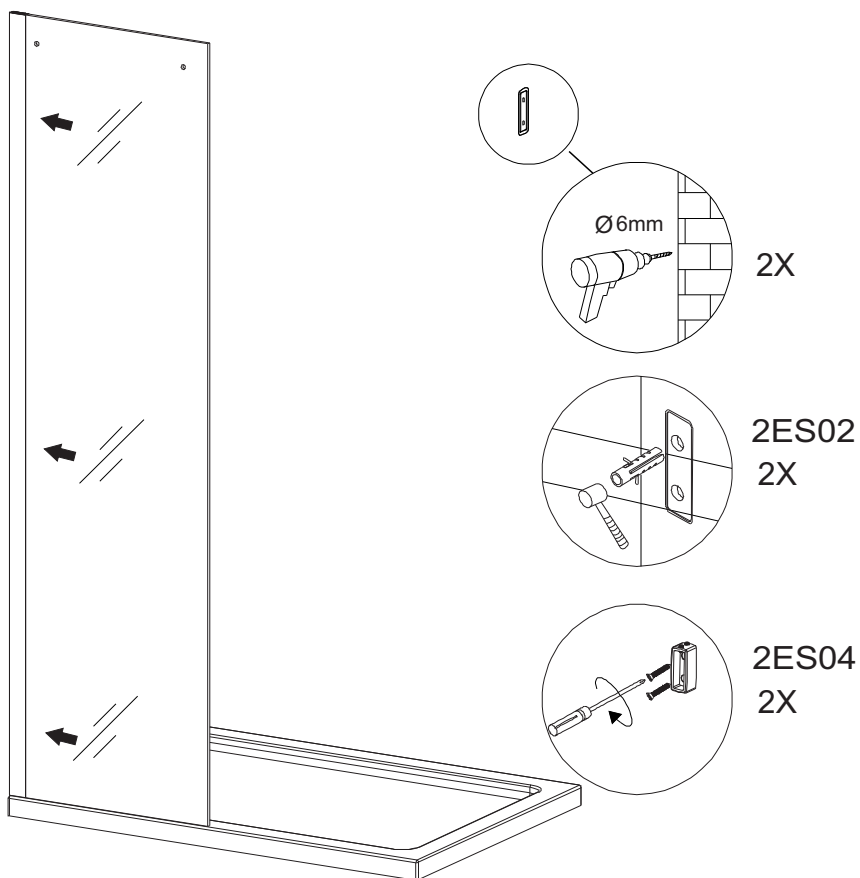
X 2

2ES19



X 1

- Take the wall seat from the wall bracket .
- Drill the holes accordingly .
- Insert wall plug 2ES02 into the holes .
- Fix the wall seat on the wall with screw 2ES04 .



6 ASSEMBLY INSTRUCTIONS

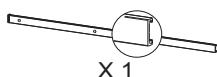
2ES27



2ES28



2ES20



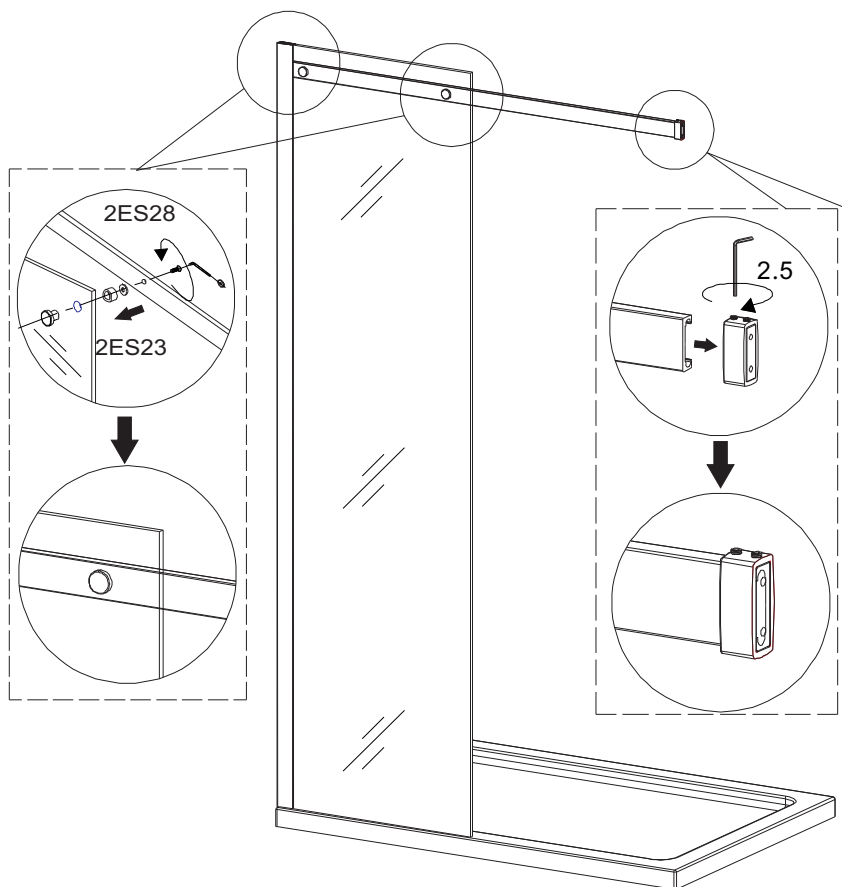
2ES23



2ES19



- Insert rail profile 2ES20 into the wall bracket 2ES19 and fasten them together with screw.
- Assemble fixing part 2ES23 on the rail profile through fixing panel.



7 ASSEMBLY INSTRUCTIONS

2ES06



X 1

2ES25



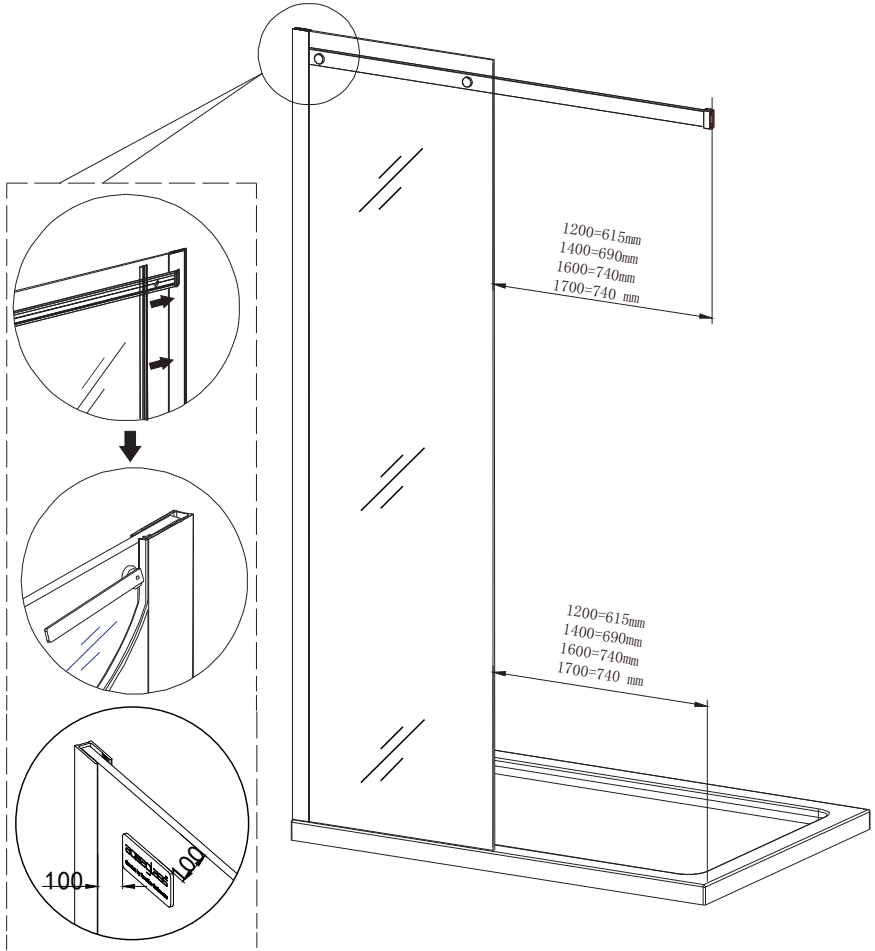
X 1

8FR17

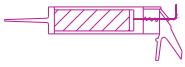


X 2

- Adjust the position of fix panel to meet with opening requirement . Please make sure the same opening both on top and bottom .
- Insert sealer 2ES06 between glass panel and wall profile from inside of cabin .



8 ASSEMBLY INSTRUCTIONS



2ES12



X 1

2ES11



X 1

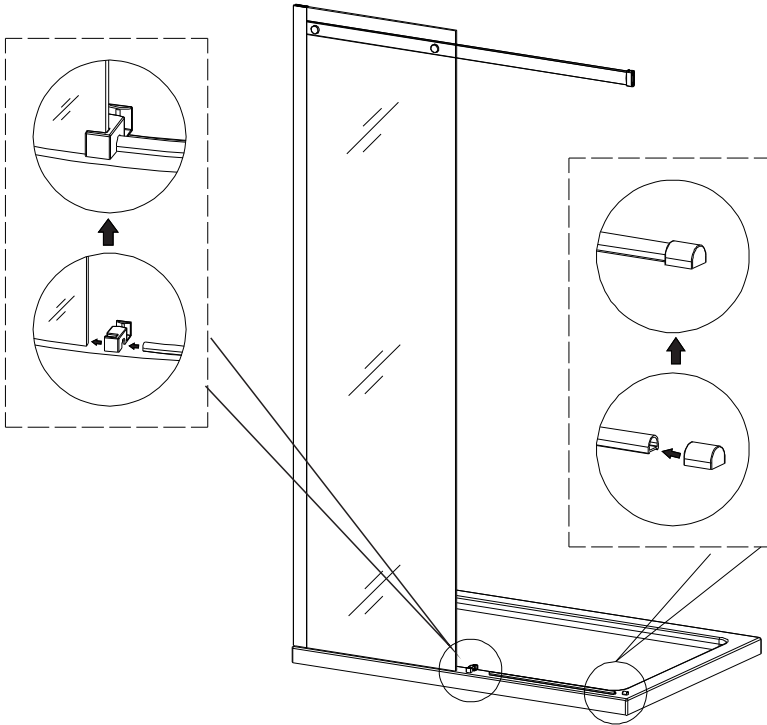
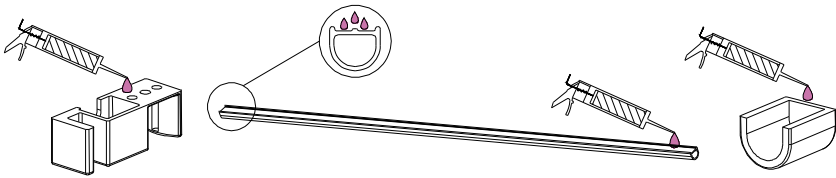
2ES14



X 1

-Apply silicone glue on the back of the bottom anti-water profile 2ES12 and sliding guide 2ES11 and end cover 2ES14.

-Put sliding guide 2ES11 next to the fix panel. Insert bottom profile 2ES12 into the guide. Put cover 2ES14 on the other end of 2ES12.



9 ASSEMBLY INSTRUCTIONS

2ES18



X 1

2ES13



X 1

2ES21



X 1

2ES22



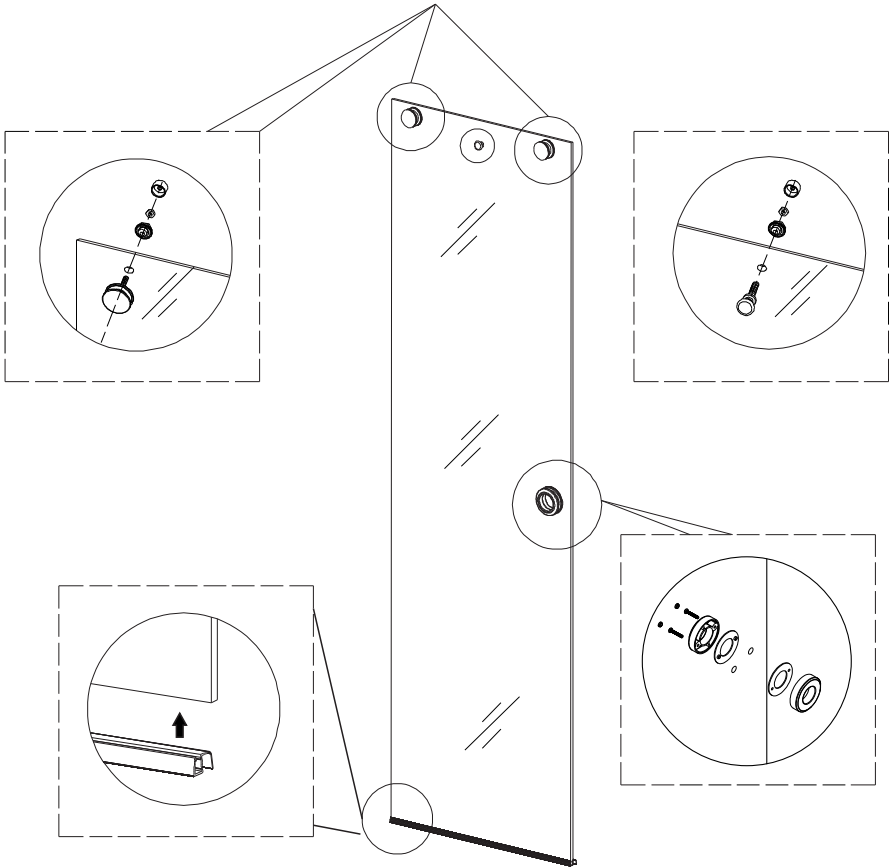
X 2

2ES24

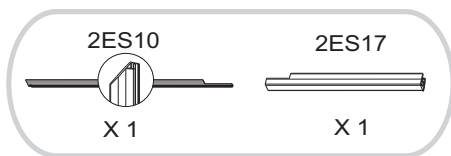


X 1

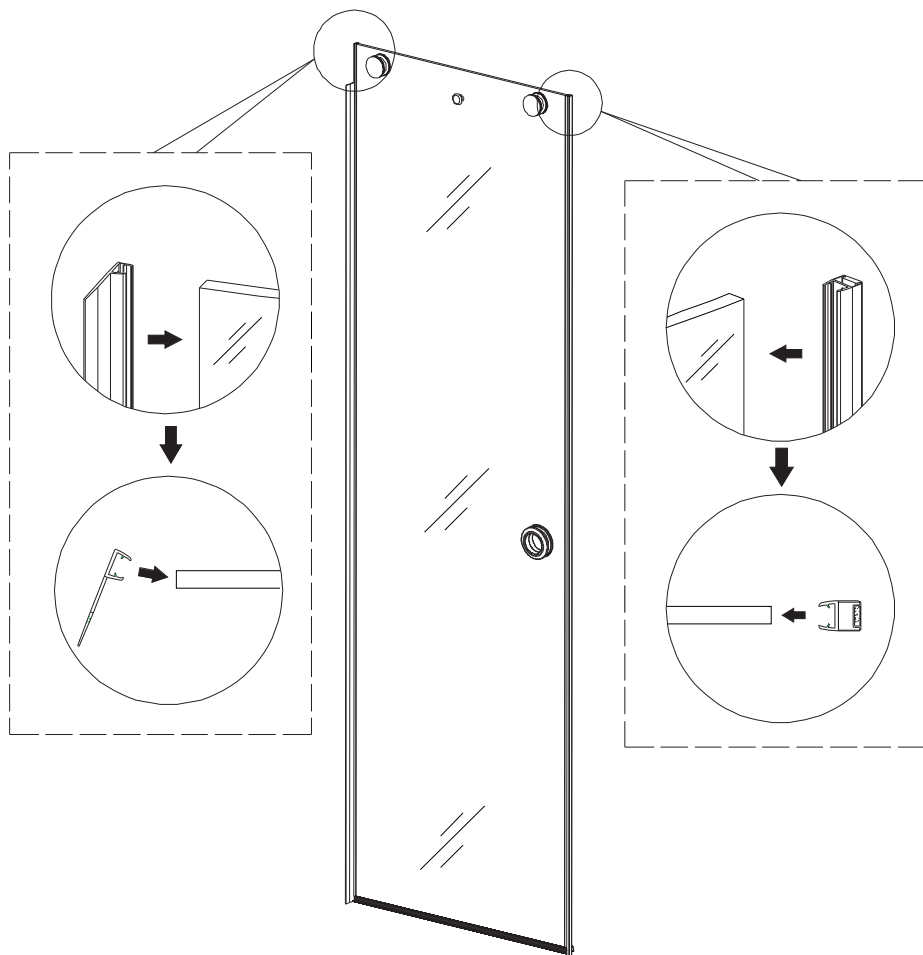
- Mount roller 2ES22 on sliding panel 2ES18 .
- Mount anti -jump part 2ES21 on the sliding panel 2ES18 .
- Mount handle 2ES24 on the sliding panel . Please make sure the washers on the 2 sides of glass panel before fasten the handle part.
- Apply bottom sealer 2ES13 on the bottom of sliding panel ..



10 ASSEMBLY INSTRUCTIONS



- Apply magnetic strip 2ES17 on the sliding panel edge next to the handle.
- Apply vertical sealer 2ES10 on the other edge of sliding panel for left hand installation. For right hand installation, apply vertical sealer 2ES09 on the edge of sliding panel.



11 ASSEMBLY INSTRUCTIONS



2ES09



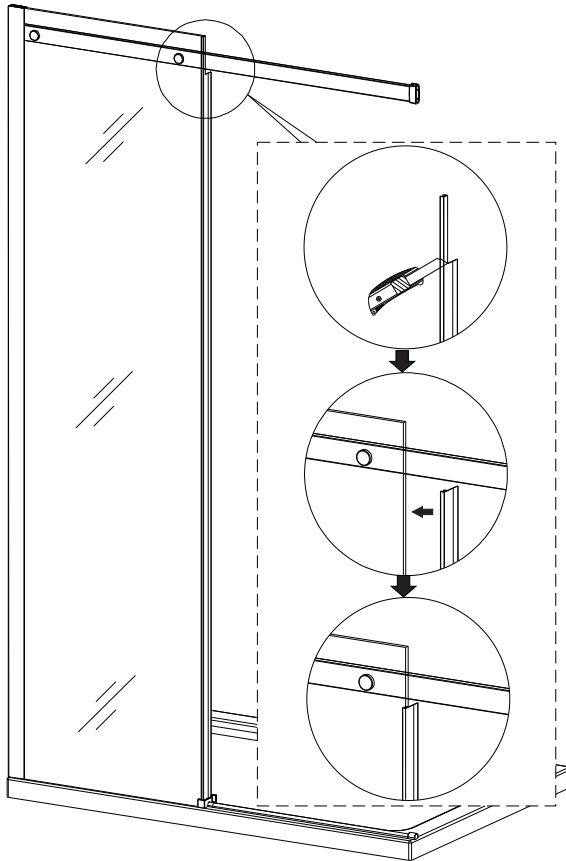
X 1

2ES10



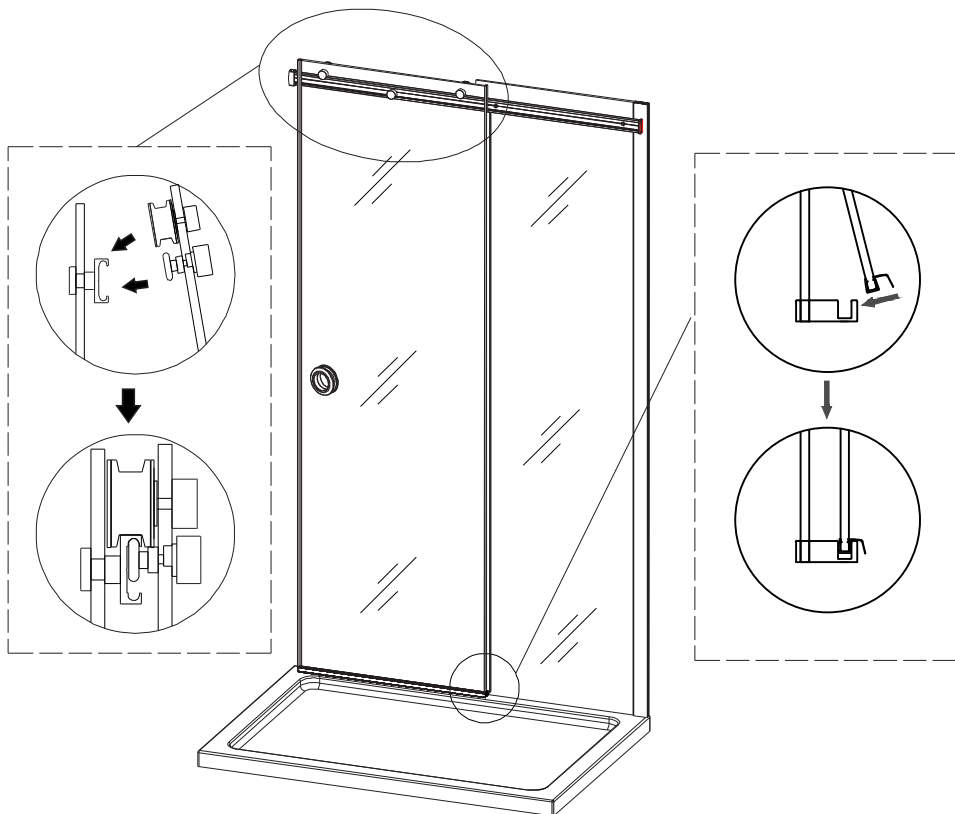
X 1

- Apply vertical sealer 2ES09 on the edge of fix panel for left hand installation.
- Cut the extra part on top according to below.
- For right hand installation, please apply vertical sealer 2ES10 on the fixing panel edge and cut the extra part accordingly.

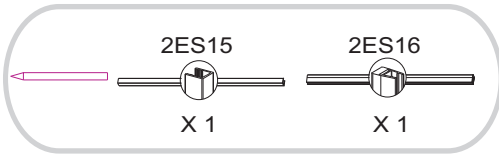


12 ASSEMBLY INSTRUCTIONS

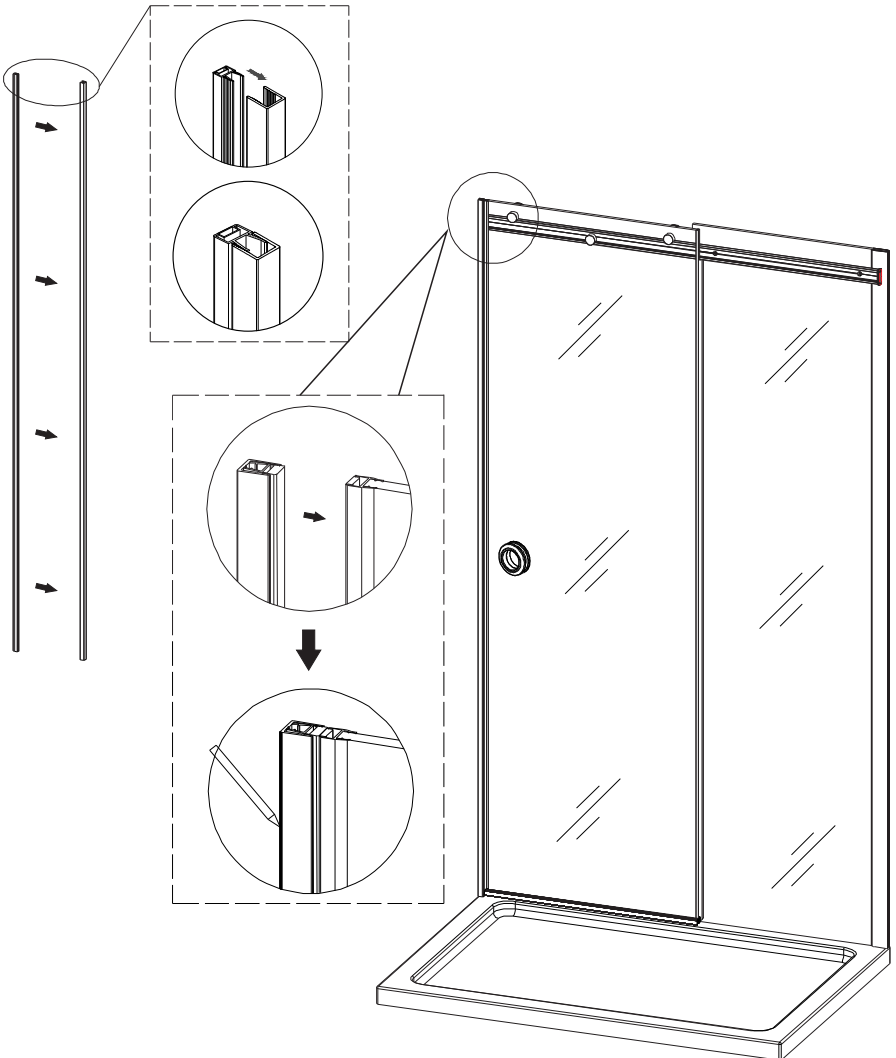
- Mount sliding panel on the rail profile . Put the top roller on the top of rail profile and put anti -jump part into the channel of rail profile . Make sure the bottom sealer of sliding panel into the channel of bottom sliding bracket .



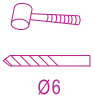
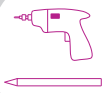
13 ASSEMBLY INSTRUCTIONS



- Insert magnetic strip 2ES16 into the small wall profile 2ES15 .
- Put 2 magnetic strip closed on the sliding panel .
- Close the door to mark the position of small wall profile .



14 ASSEMBLY INSTRUCTIONS



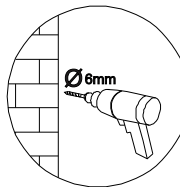
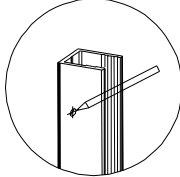
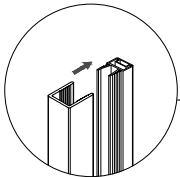
2ES02

2ES08

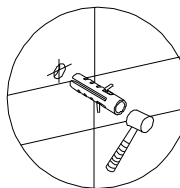
X 4

X 4

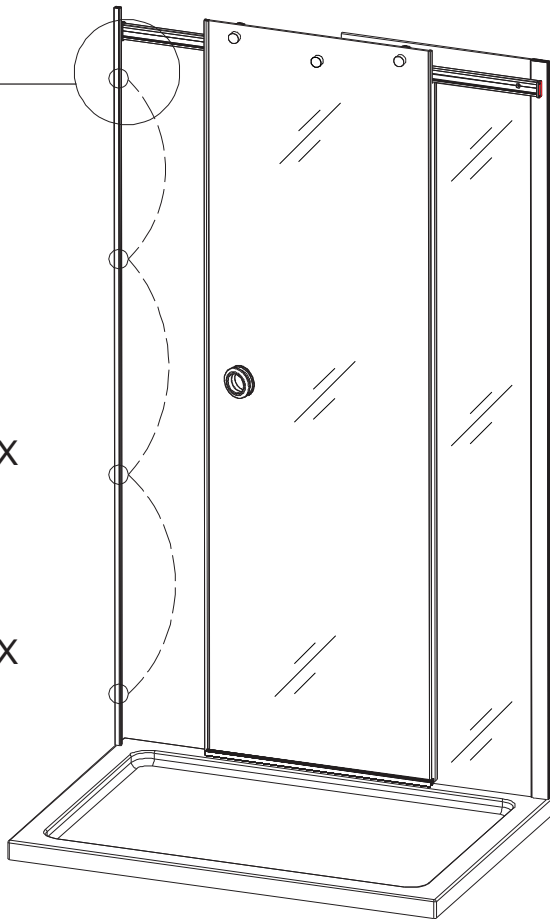
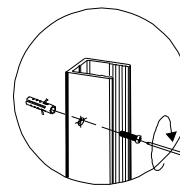
- Take off the magnetic strip out off small wall profile .
- Put the small wall profile on the wall according to the mark .
- Mark the hole position .
- Drill the holes accordingly .
- Insert wall plug 2ES02 into the holes .
- Fix small wall profile on the wall with screw 2ES08 and washer 2ES05 .



4X



4X



15 ASSEMBLY INSTRUCTIONS

2ES15



X 1

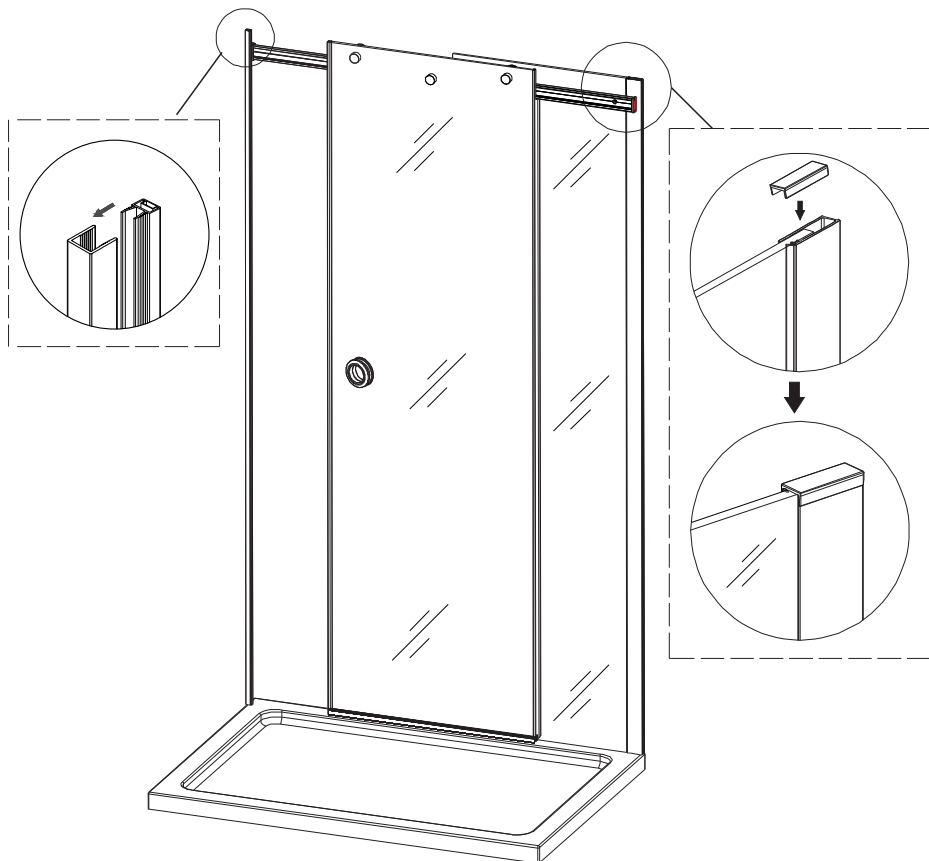
2ES01



X 1

- Insert magnetic strip 2ES15 into the channel of small wall profile .

- Put top cover 2ES01 on the big wall profile .



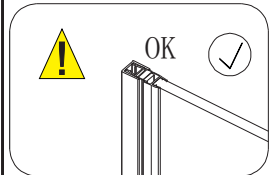
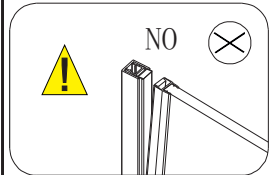
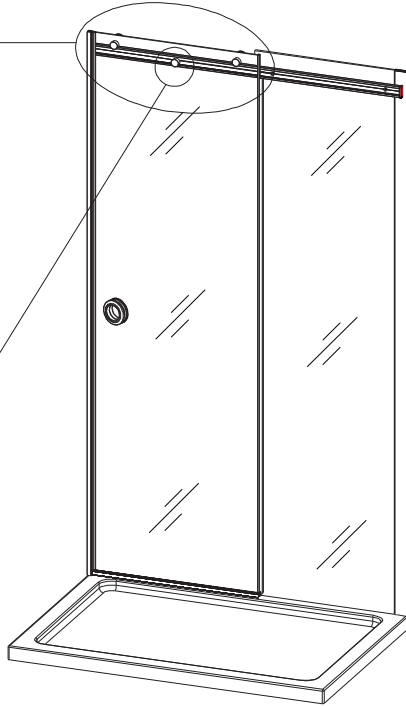
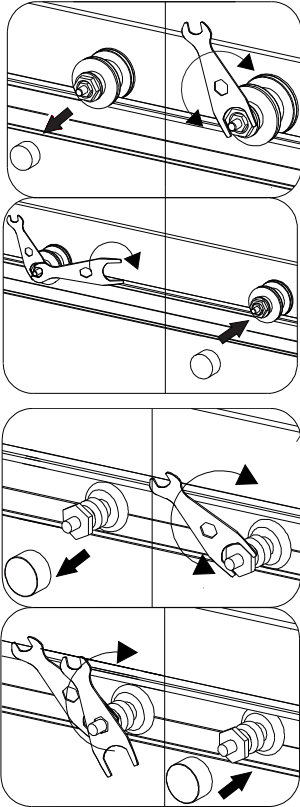
16 ASSEMBLY INSTRUCTIONS

2ES26



X 2

- The top roller is adjustable to make door vertical.
- Take off the back cover off. Turn the nut on the back with tool 2ES26.
- Turn the nut until the door is vertical with magnetic strip closing well.
- Put the back cover on the roller.

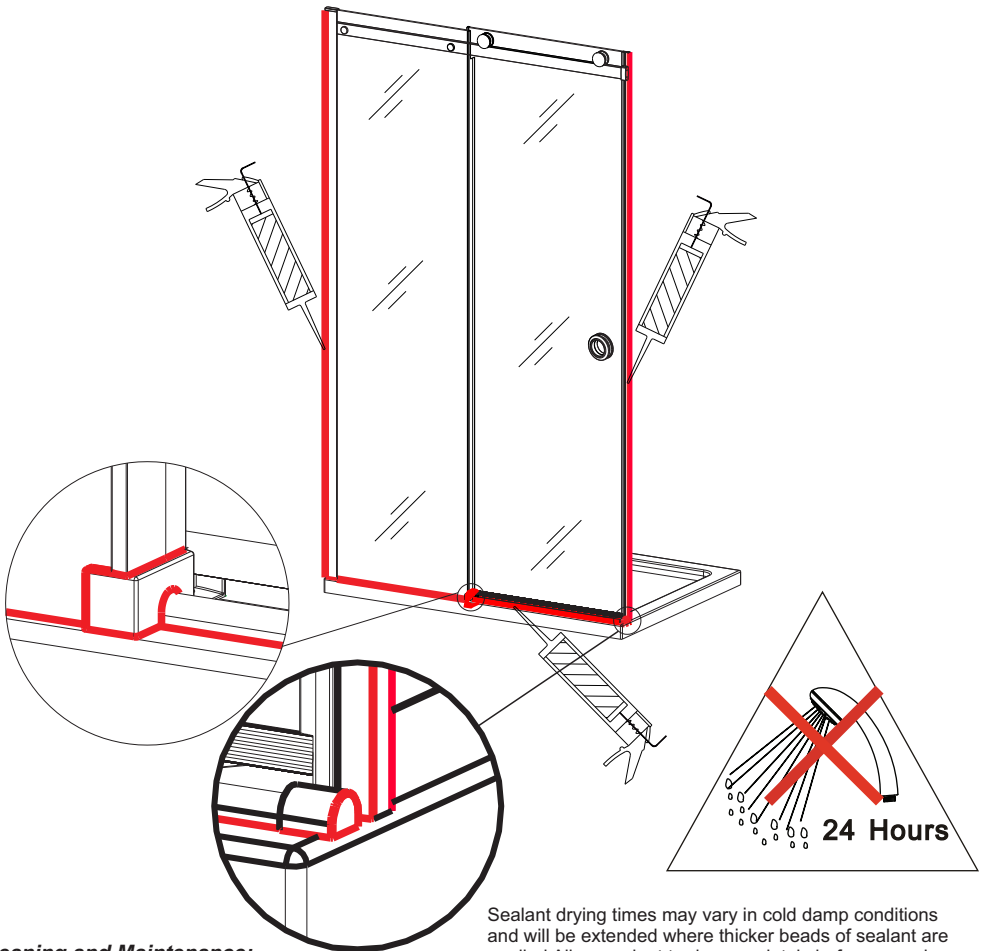


17 ASSEMBLY INSTRUCTIONS



-Apply silicone sealant to the outside of the enclosure.

Please note: Do not apply silicone sealant to the inside of the enclosure.



Cleaning and Maintenance:

Please do not use abrasive or strong cleaning solutions on the shower enclosure, such as alcohol, petroleum liquids or any other chemical cleaner.

Should there be any dirty stains on the shower enclosure, please clean it with a soft lint free cloth and warm soapy water. Please rinse it with clean water afterwards.

Sealant drying times may vary in cold damp conditions and will be extended where thicker beads of sealant are applied. Allow sealant to dry completely before exposing to water.

reaches you in perfect condition. However should any parts be damaged or missing please contact your point of purchase. This does not affect your statutory rights. In addition if you require replacement parts your point of purchase will be happy to assist.

For information and support phone: 0845 47024 27

V18125