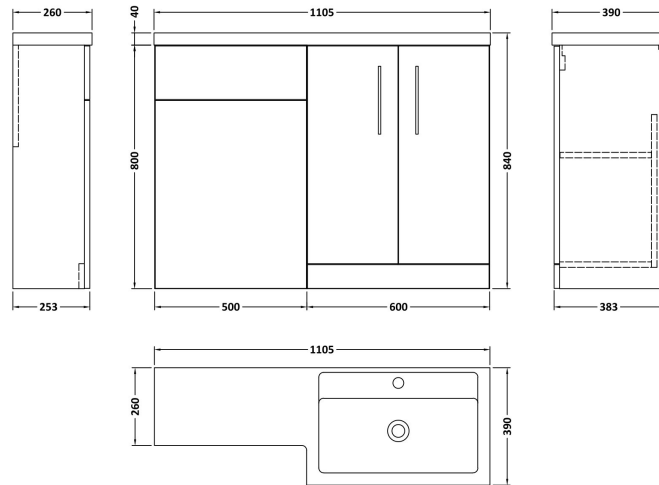


Sales Code: ARN111R

Description: 1100X390 Combination Unit Rh

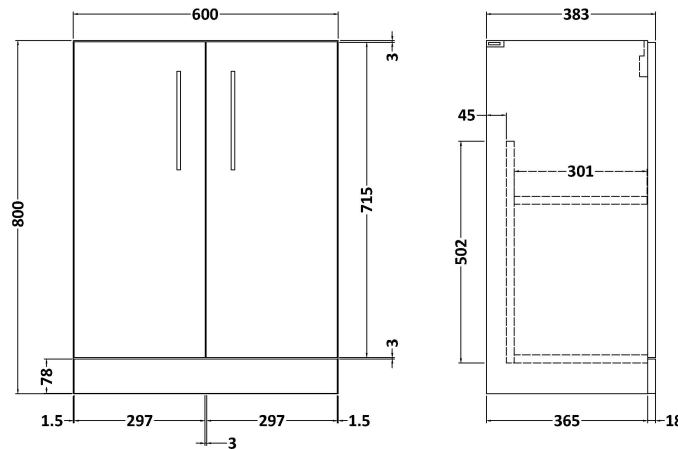
Packaging Details

Barcode: 5056462626567



Sales Code: NVF103F

Description: 600 Fs 2-Door Unit (365 Deep)



Product Dimensions

| | |
|-------------------|------|
| Height (mm): | 800 |
| Width (mm): | 600 |
| Depth (mm): | 383 |
| Nett Weight (kg): | 19.5 |

Packaging Dimensions

| | |
|--------------------|-----|
| Height (mm): | 835 |
| Width (mm): | 620 |
| Depth (mm): | 375 |
| Gross Weight (kg): | 20 |

Packaging Data

| | |
|---------------|-------------------------------|
| Box Colour: | Brown Cardboard Box - Printed |
| Box Qty: | 0 |
| Label Size: | 0 x 0 |
| Label Colour: | Not Applicable |
| Label Qty: | 0 |

Outer Box Dimensions (If Applicable)

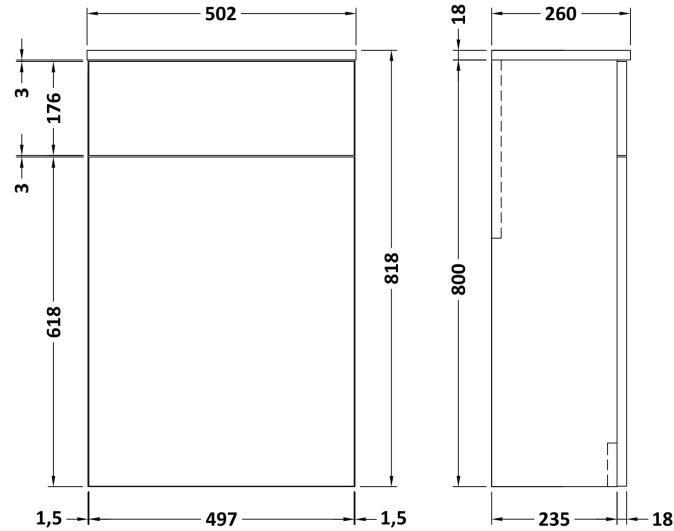
| | |
|--------------------|---------------|
| Height (mm): | |
| Width (mm): | |
| Depth (mm): | |
| Gross Weight (kg): | |
| Barcode: | 5056462614298 |

Product Details

| | |
|--------------------------|----------------------|
| Country of Origin: | China |
| Fitting Instruction: | No |
| CE & UKCA: | N/A |
| FSC Certified Materials: | Yes |
| Colour: | Gloss White |
| Construction Method: | Cam & Wood Dowel |
| Construction Type: | Rigid |
| Cabinet Finish: | MFC Painted Gloss |
| Fascia Finish: | Mdf Painted Gloss |
| Cabinet Thickness (mm): | 16 |
| Fascia Thickness (mm): | 18 |
| Drawer Included: | No |
| Drawer Type: | Not Applicable |
| No of Shelves: | 1 |
| Hinge Type: | 95 Degree Soft Close |
| Hinge Included: | Yes, Supplied |
| Adjustable Legs: | No, Not Required |
| Fixings Included: | Yes |
| Handle Style: | Contemporary |
| Waste Shroud: | No |
| Handle Included: | Yes, Supplied |
| Handle Type: | D-Shape |

Sales Code: NVF141

Description: 500 Wc Unit (235 Deep)



Product Dimensions

| | |
|-------------------|------|
| Height (mm): | 818 |
| Width (mm): | 502 |
| Depth (mm): | 260 |
| Nett Weight (kg): | 13.1 |

Packaging Dimensions

| | |
|--------------------|------|
| Height (mm): | 825 |
| Width (mm): | 525 |
| Depth (mm): | 260 |
| Gross Weight (kg): | 13.6 |

Packaging Data

| | |
|---------------|-------------------------------|
| Box Colour: | Brown Cardboard Box - Printed |
| Box Qty: | 0 |
| Label Size: | 0 x 0 |
| Label Colour: | Not Applicable |
| Label Qty: | 0 |

Outer Box Dimensions (If Applicable)

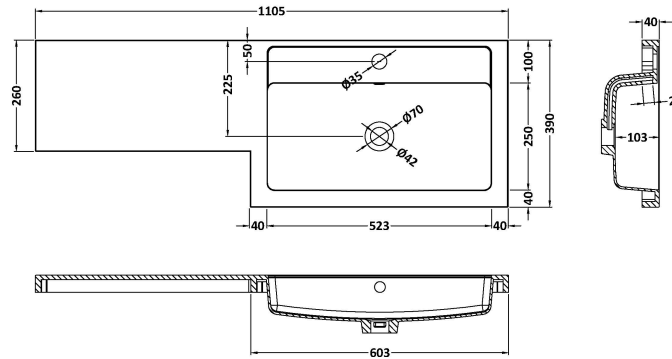
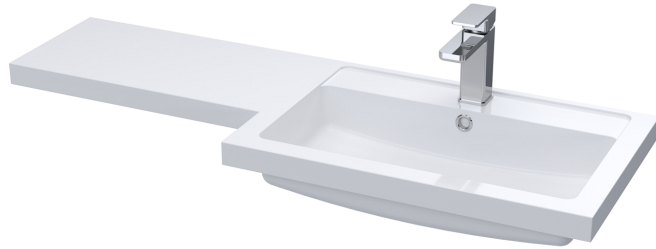
| | |
|--------------------|---------------|
| Height (mm): | |
| Width (mm): | |
| Depth (mm): | |
| Gross Weight (kg): | |
| Barcode: | 5056462618395 |

Product Details

| | |
|--------------------------|-------------------|
| Country of Origin: | China |
| Fitting Instruction: | No |
| CE & UKCA: | N/A |
| FSC Certified Materials: | Yes |
| Colour: | Gloss White |
| Construction Method: | Cam & Wood Dowel |
| Construction Type: | Rigid |
| Cabinet Finish: | MFC Painted Gloss |
| Fascia Finish: | Mdf Painted Gloss |
| Cabinet Thickness (mm): | 16 |
| Fascia Thickness (mm): | 18 |
| Drawer Included: | Not Applicable |
| Drawer Type: | Not Applicable |
| No of Shelves: | 0 |
| Hinge Type: | Not Applicable |
| Hinge Included: | No |
| Adjustable Legs: | No, Not Required |
| Fixings Included: | Yes |
| Handle Style: | Not Applicable |
| Waste Shroud: | No |
| Handle Included: | No |
| Handle Type: | Not Applicable |

Sales Code: PMB411R

Description: 1100X390 L Shaped Polymarble Basin Rh



Product Dimensions

| | |
|-------------------|------|
| Height (mm): | 135 |
| Width (mm): | 1105 |
| Depth (mm): | 390 |
| Nett Weight (kg): | 16 |

Packaging Dimensions

| | |
|--------------------|------|
| Height (mm): | 190 |
| Width (mm): | 420 |
| Depth (mm): | 1160 |
| Gross Weight (kg): | 16.5 |

Packaging Data

| | |
|---------------|-------------------------------|
| Box Colour: | Brown Cardboard Box - Printed |
| Box Qty: | 1 |
| Label Size: | 100 x 50 |
| Label Colour: | White Label |
| Label Qty: | 2 |

Outer Box Dimensions (If Applicable)

| | |
|--------------------|---------------|
| Height (mm): | |
| Width (mm): | |
| Depth (mm): | |
| Gross Weight (kg): | |
| Barcode: | 5056211874195 |

Product Details

| | |
|---------------------------|------------|
| Country of Origin: | China |
| Fitting Instruction: | No |
| Certification: CE & UKCA: | No |
| WRAS: | N/A |
| WRAS No: | N/A |
| Product Material: | Polymarble |
| Fixing Supplied: | No |

Pans/Bidets: Trap Style: Not Applicable Includes Seat: Not Applicable

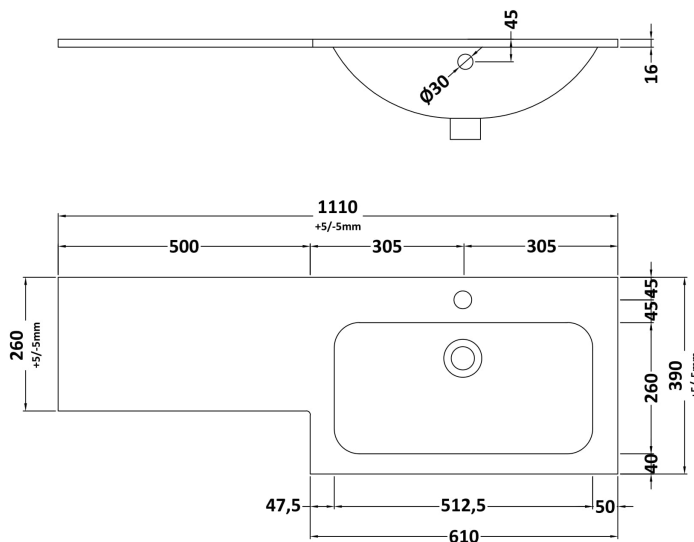
Seats: Seat Type: Not Applicable Material: Not Applicable
Function: Not Applicable Hinge Type: Not Applicable
Hinge Material: Not Applicable

Cisterns: Operating Type: Not Applicable Fittings: Not Applicable
Lever Type: Not Applicable

Basins: Tap Hole: One Taphole Chain Stay Hole: No
Template: Not Required Waste Type Req: Slotted
Overflow Inc: Yes Overflow Cover: Yes
Inner Bowl Depth (mm): 103mm

Sales Code: SBM111R

Description: L Shaped Basin Rh 1T/H



Product Dimensions

Height (mm):
 Width (mm):
 Depth (mm):
 Nett Weight (kg): 16.5

Packaging Dimensions

Height (mm): 200
 Width (mm): 1175
 Depth (mm): 460
 Gross Weight (kg): 17

Packaging Data

Box Colour:
 Box Qty:
 Label Size: x
 Label Colour:
 Label Qty:

Outer Box Dimensions (If Applicable)

Height (mm):
 Width (mm):
 Depth (mm):
 Gross Weight (kg):
 Barcode: 5056678424308

Product Details

Country of Origin: China
 Fitting Instruction: No
 Certification: CE & UKCA: WRAS: WRAS No:
 Product Material:
 Fixing Supplied:

Pans/Bidets: Trap Style: Includes Seat:

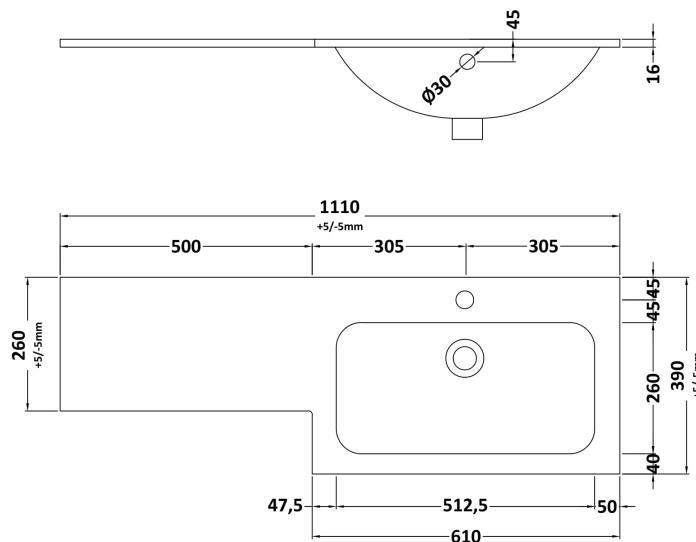
Seats: Seat Type: Material:
 Function: Hinge Type:
 Hinge Material:

Cisterns: Operating Type: Fittings:
 Lever Type:

Basins: Tap Hole: Chain Stay Hole:
 Template: Waste Type Req:
 Overflow Inc: Overflow Cover:
 Inner Bowl Depth (mm):

Sales Code: SBM911R

Description: L Shaped Basin Rh 1T/H



Product Dimensions

Height (mm):
 Width (mm):
 Depth (mm):
 Nett Weight (kg): 16.5

Packaging Dimensions

Height (mm): 200
 Width (mm): 1175
 Depth (mm): 460
 Gross Weight (kg): 17

Packaging Data

Box Colour:
 Box Qty:
 Label Size: x
 Label Colour:
 Label Qty:

Outer Box Dimensions (If Applicable)

Height (mm):
 Width (mm):
 Depth (mm):
 Gross Weight (kg):
 Barcode: 5056678424292

Product Details

Country of Origin: China
 Fitting Instruction: No
 Certification: CE & UKCA: WRAS: WRAS No:
 Product Material:
 Fixing Supplied:

Pans/Bidets: Trap Style: Includes Seat:

Seats: Seat Type: Material:
 Function: Hinge Type:
 Hinge Material:

Cisterns: Operating Type: Fittings:
 Lever Type:

Basins: Tap Hole: Chain Stay Hole:
 Template: Waste Type Req:
 Overflow Inc: Overflow Cover:
 Inner Bowl Depth (mm):