

# PRODUCT DATA SHEET



## PRODUCT CODE

RT001C

## RANGE

Rotar

## DESCRIPTION

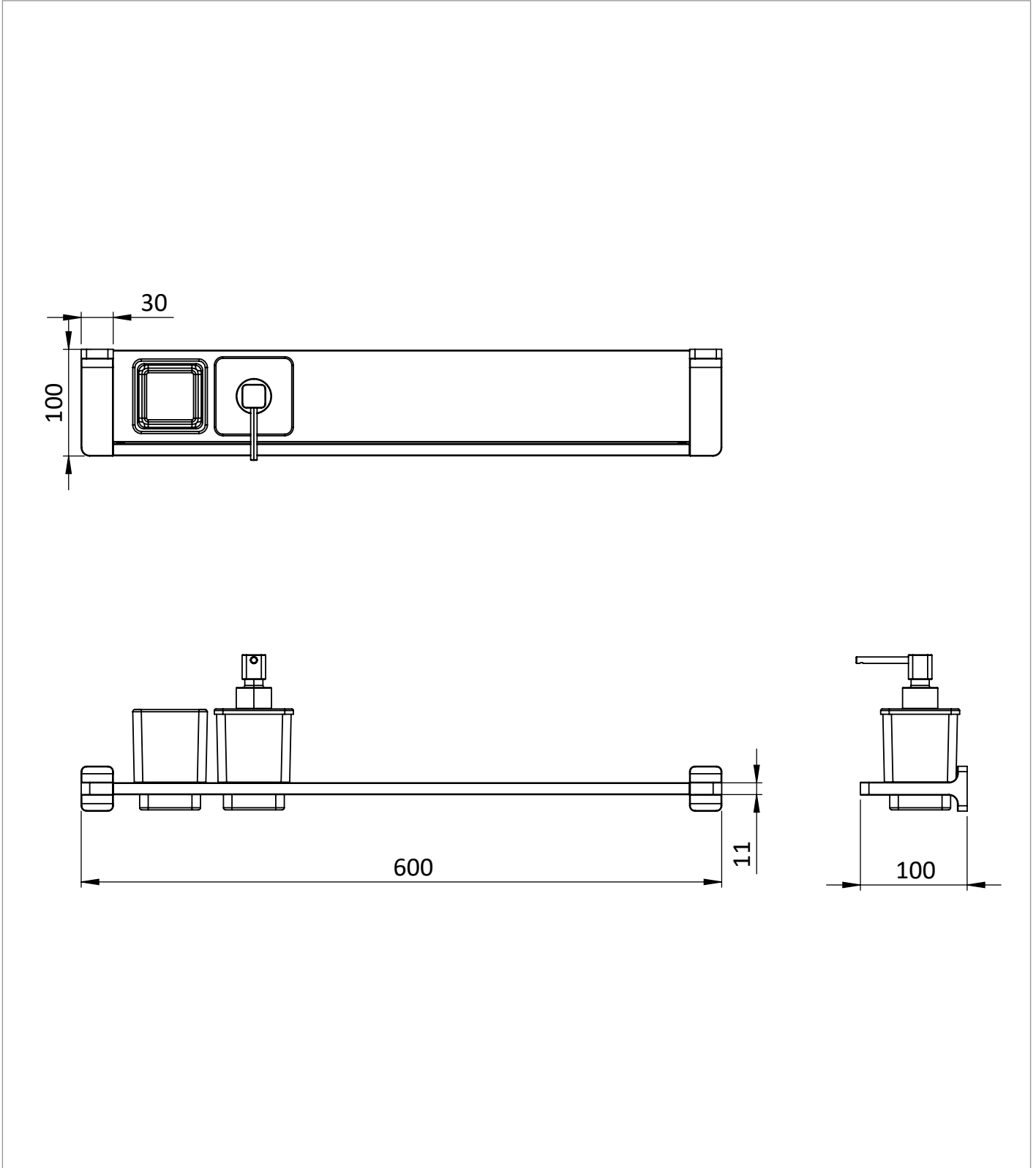
Rotar Shelf 600mm Chrome

CATEGORY	Accessories
WARRANTY DETAILS	15 Years
COLOUR	Chrome
FINISH APPLICATION	Electroplated
PRIMARY MATERIAL	Zamac
SECONDARY MATERIAL	Brass
INSTALL TYPE	Wall Mounted
PRODUCT WIDTH MM	600
PRODUCT HEIGHT MM	155
PRODUCT DEPTH MM	100
PRODUCT NET WEIGHT KG	1.7

## TECHNICAL DIMENSIONS

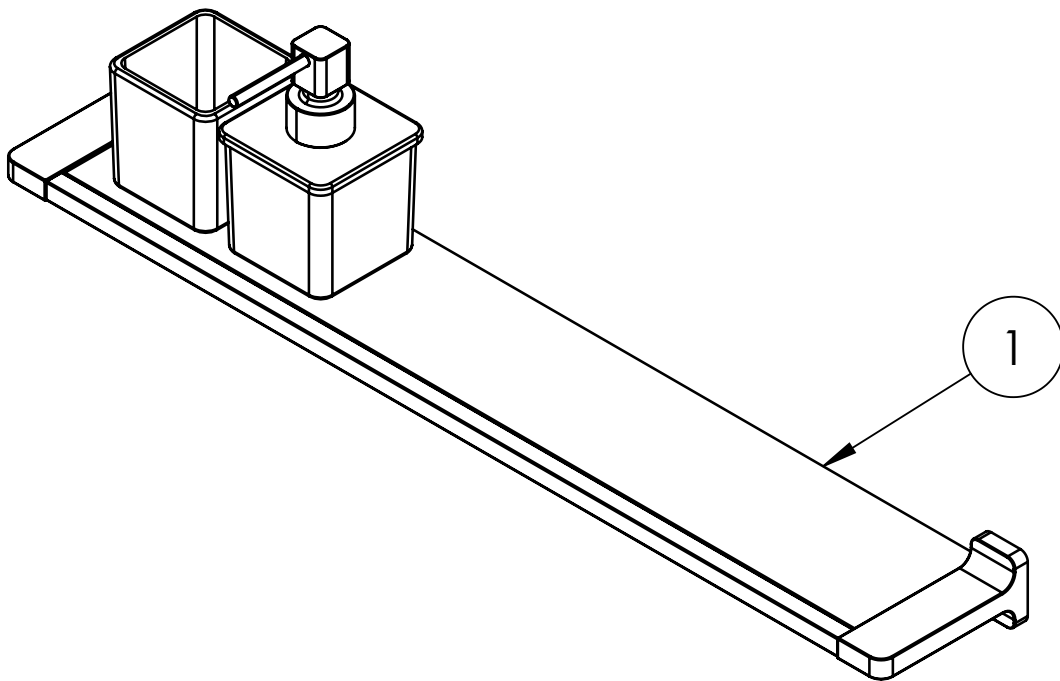
Dimensions in mm unless otherwise specified.

Tolerances (per material type) apply.



## SPARES LIST

Only the parts labelled are available as spares.



NUMBER	PART CODE	DESCRIPTION
1	7020044_142	Rotar Shelf 600mm