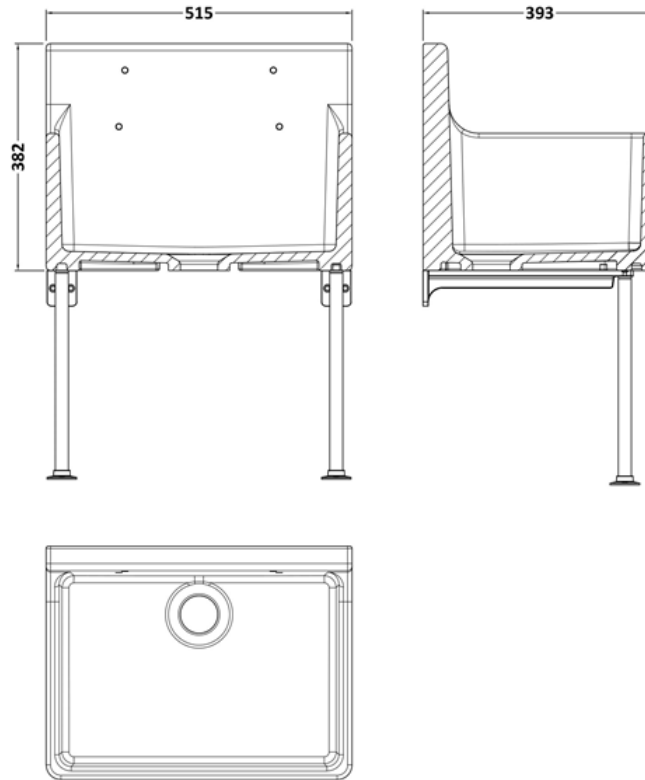


Sales Code: CS10421LB

Description: Cleaner Sink Inc Leg&Bracket 515X382x393

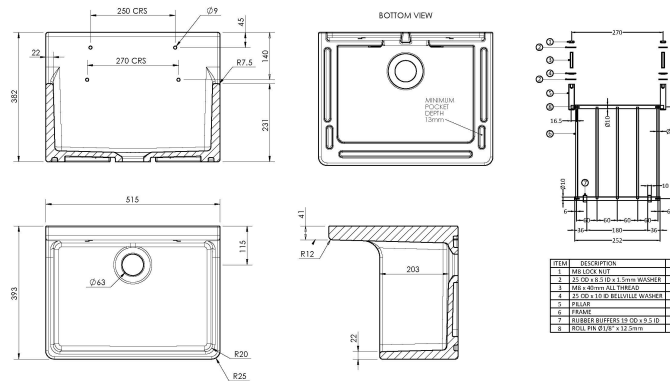
Packaging Details

Barcode: 5056678448366



Sales Code: CS10421

Description: Cleaner Sink Inc Grid 515X382x393



Product Dimensions

Height (mm):	382
Width (mm):	515
Depth (mm):	393
Nett Weight (kg):	27.5

Packaging Dimensions

Height (mm):	412
Width (mm):	523
Depth (mm):	405
Gross Weight (kg):	28

Packaging Data

Box Colour:	Brown Cardboard Box
Box Qty:	1
Label Size:	100 x 50
Label Colour:	White Label
Label Qty:	2

Outer Box Dimensions (If Applicable)

Height (mm):	
Width (mm):	
Depth (mm):	
Gross Weight (kg):	
Barcode:	5056462683560

Product Details

Country of Origin:	Utd.Arab.Emir.
Fitting Instruction:	No
Certification: CE & UKCA:	WRAS: WRAS No:
Product Material:	
Fixing Supplied:	

Pans/Bidets: Trap Style: Includes Seat:

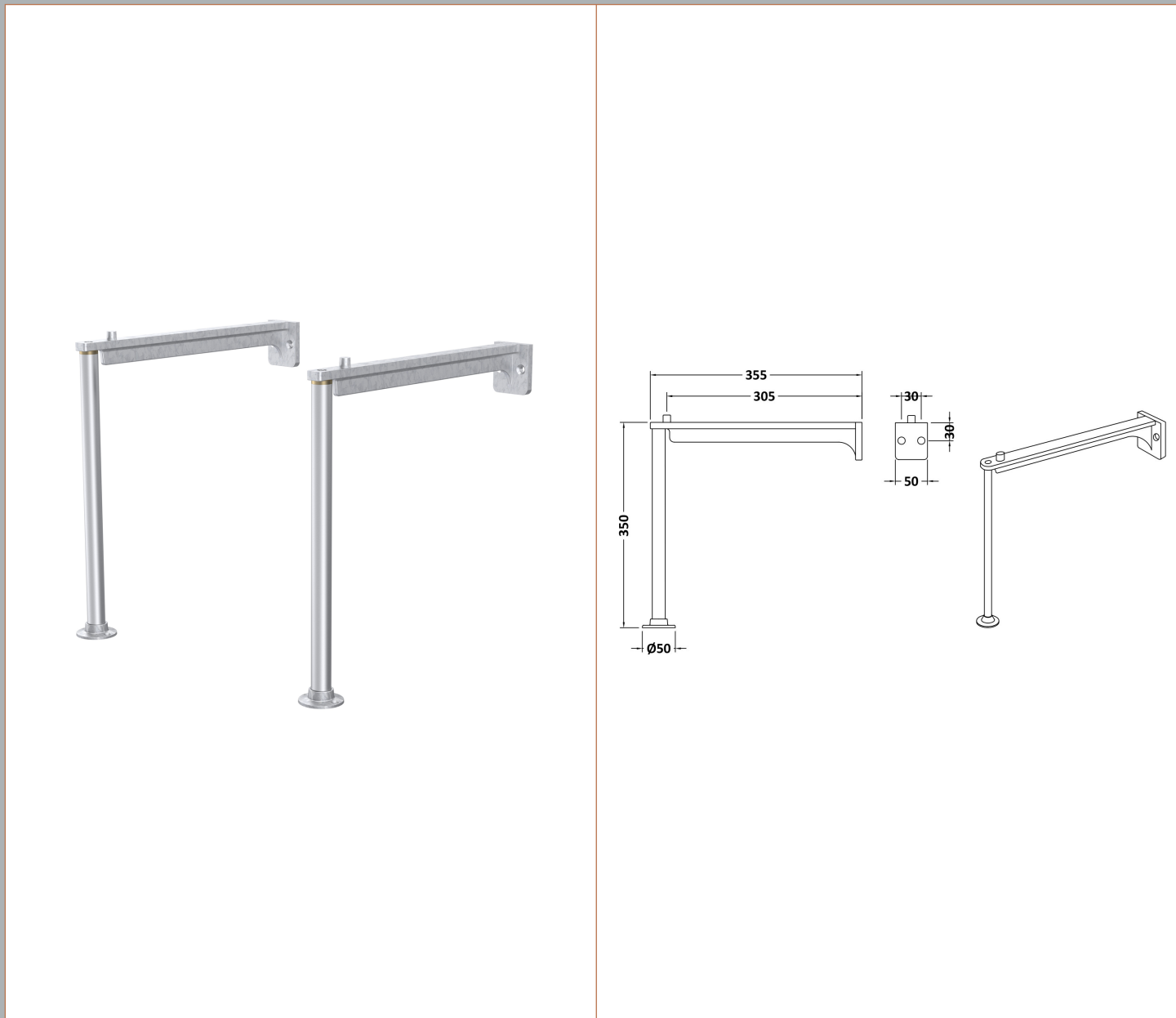
Seats: Seat Type: Material:
Function: Hinge Type:
Hinge Material:

Cisterns: Operating Type: Fittings:
Lever Type:

Basins: Tap Hole: Chain Stay Hole:
Template: Waste Type Req:
Overflow Inc: Overflow Cover:
Inner Bowl Depth (mm): 203

Sales Code: CSL301

Description: Cleaner Sink Leg/Socket & Bracket Kit



Product Dimensions

Length (mm):	
Width (mm):	50
Height (mm):	350
Depth (mm):	355
Nett Weight (kg):	3.58

Packaging Dimensions

Height (mm):	600
Width (mm):	295
Depth (mm):	90
Gross Weight (kg):	3.95

Packaging Data

Box Colour:	Brown Cardboard Box
Box Qty:	1
Label Size:	100 x 50
Label Colour:	White Label
Label Qty:	2

Outer Box Dimensions (If Applicable)

Height (mm):	
Width (mm):	
Length (mm):	
Depth (mm):	
Gross Weight (kg):	
Barcode:	5056678445716

Product Details

Country of Origin:	China
Fitting Instruction:	No
CE & UKCA:	N/A
Product Material:	Stainless Steel
Heating Element Wattage:	Not Applicable
Colour/Finish:	Brushed Stainless Steel
Product Diameter:	N/A
Connection Size:	30 mm