

PRODUCT DATA SHEET



PRODUCT CODE

LM6100TST+

RANGE

Limit

DESCRIPTION

Limit Worktop 600 Steelwood

WEBSITE LINK [Click Here](#)

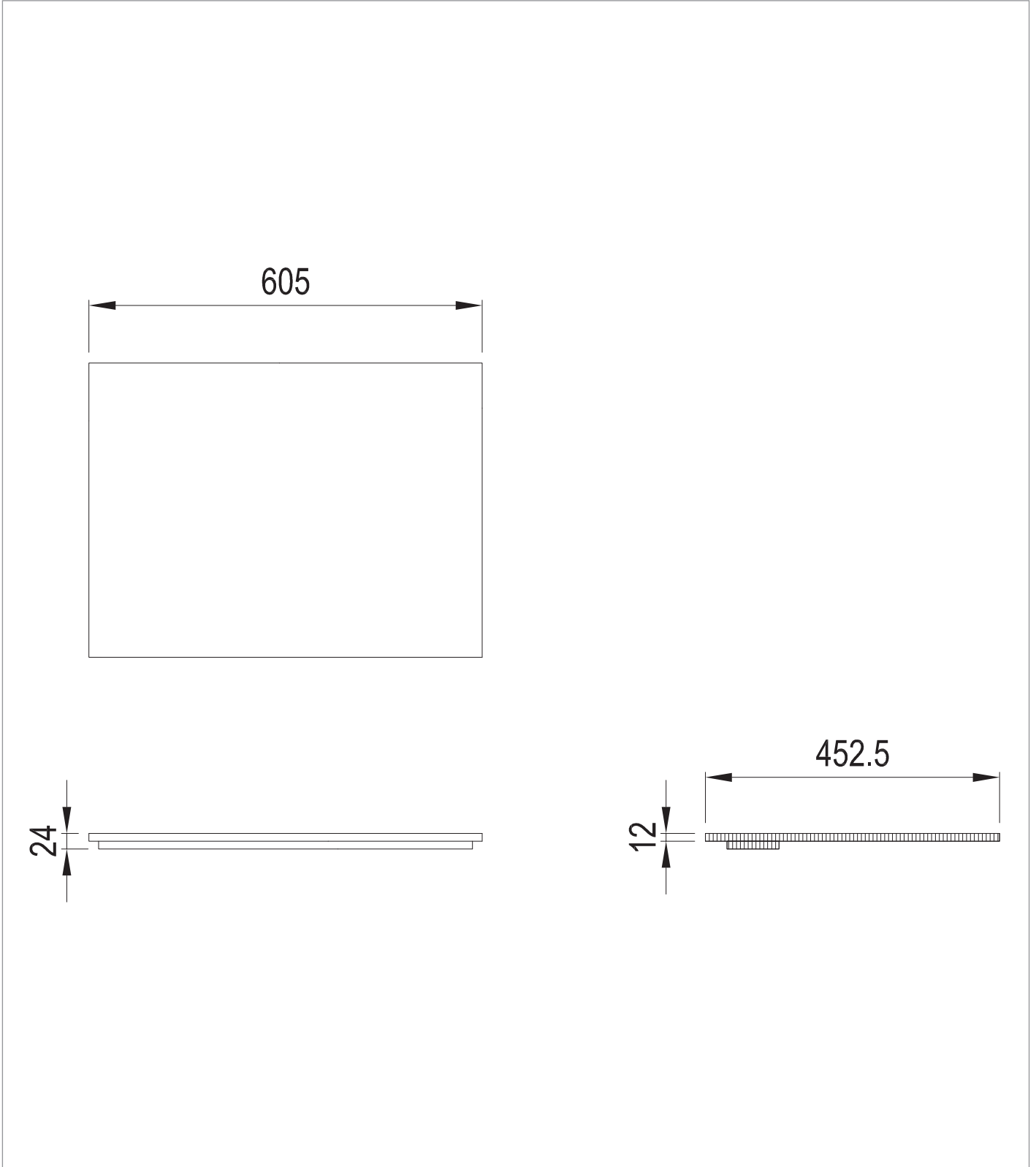
CATEGORY	Furniture
WARRANTY DETAILS	10 Years
COLOUR	Steelwood
PRIMARY MATERIAL	MFC
INSTALL TYPE	Furniture Mounted
PRODUCT WIDTH MM	605
PRODUCT HEIGHT MM	12
PRODUCT DEPTH MM	452.5
PRODUCT NET WEIGHT KG	2.93

DRAWER BOX	MFC
ADJUSTABLE FEET	No

TECHNICAL DIMENSIONS

Dimensions in mm unless otherwise specified.

Tolerances (per material type) apply.



SPARES LIST

Only the parts labelled are available as spares.

NO SPARES AVAILABLE

PRODUCT DATA SHEET



PRODUCT CODE

FWT6100TGE

RANGE

Furniture Worktop

DESCRIPTION

Furniture Worktop 610 x 455mm Gold Estatuario

WEBSITE LINK [Click Here](#)

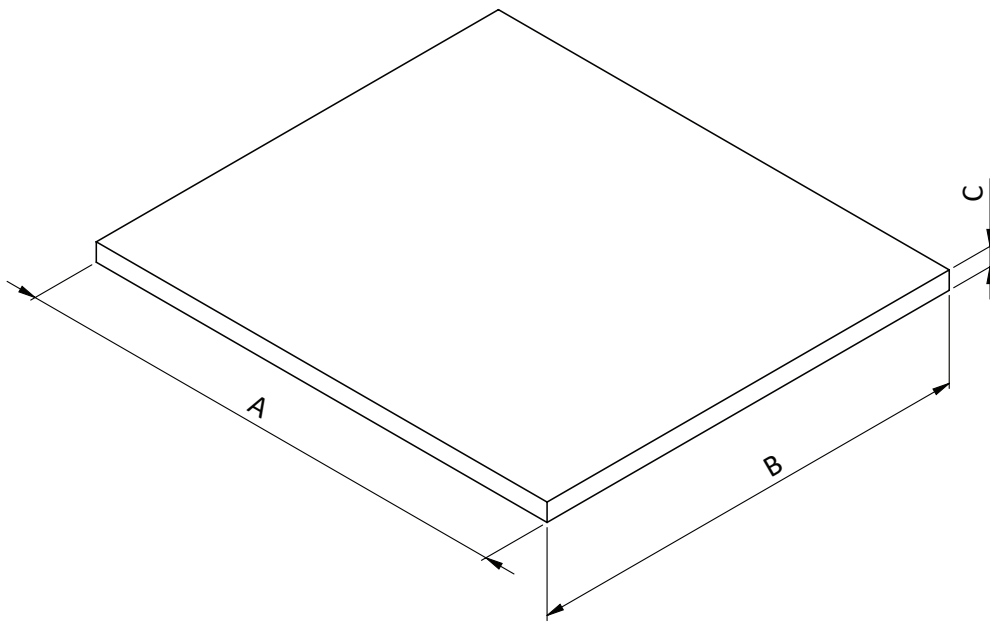
CATEGORY	Furniture
WARRANTY DETAILS	10 Years
COLOUR	White Gold
PRIMARY MATERIAL	Natural Stone
INSTALL TYPE	Furniture Mounted
PRODUCT HEIGHT MM	20
PRODUCT LENGTH MM	610
PRODUCT DEPTH MM	455
PRODUCT NET WEIGHT KG	15.98
STANDARDS	ISO9001/ISO 14001/ISO 45001

WALL HANGERS	No
ADJUSTABLE FEET	No
DRAWER OPERATION	No

TECHNICAL DIMENSIONS

Dimensions in mm unless otherwise specified.

Tolerances (per material type) apply.



CODE	DESCRIPTION	FINISH	A (mm)	B (mm)	C (mm)	WEIGHT
FWT5100TGE	Furniture Worktop 510 x 455mm	Gold Vein Estatuario	510	455	20	13kg
FWT6100TGE	Furniture Worktop 610 x 455mm	Gold Vein Estatuario	610	455	20	16kg
FWT7100TGE	Furniture Worktop 710 x 455mm	Gold Vein Estatuario	710	455	20	19kg
FWT1000TGE	Furniture Worktop 1010 x 455mm	Gold Vein Estatuario	1010	455	20	24kg

SPARES LIST

Only the parts labelled are available as spares.

NO SPARES AVAILABLE