

PRODUCT DATA SHEET



PRODUCT CODE

DE0005SCW+

RANGE

GLIDE II

DESCRIPTION

Basin Ceramic 600 White With Overflow

COLOUR Euro White

MATERIAL Vitreous China

STANDARDS EN 31
EN 14688 - CLO

INSTALLATION TYPE Furniture Mounted

BASIN WASTE SIZE 45mm

TAP HOLES 1

OVERFLOW Yes

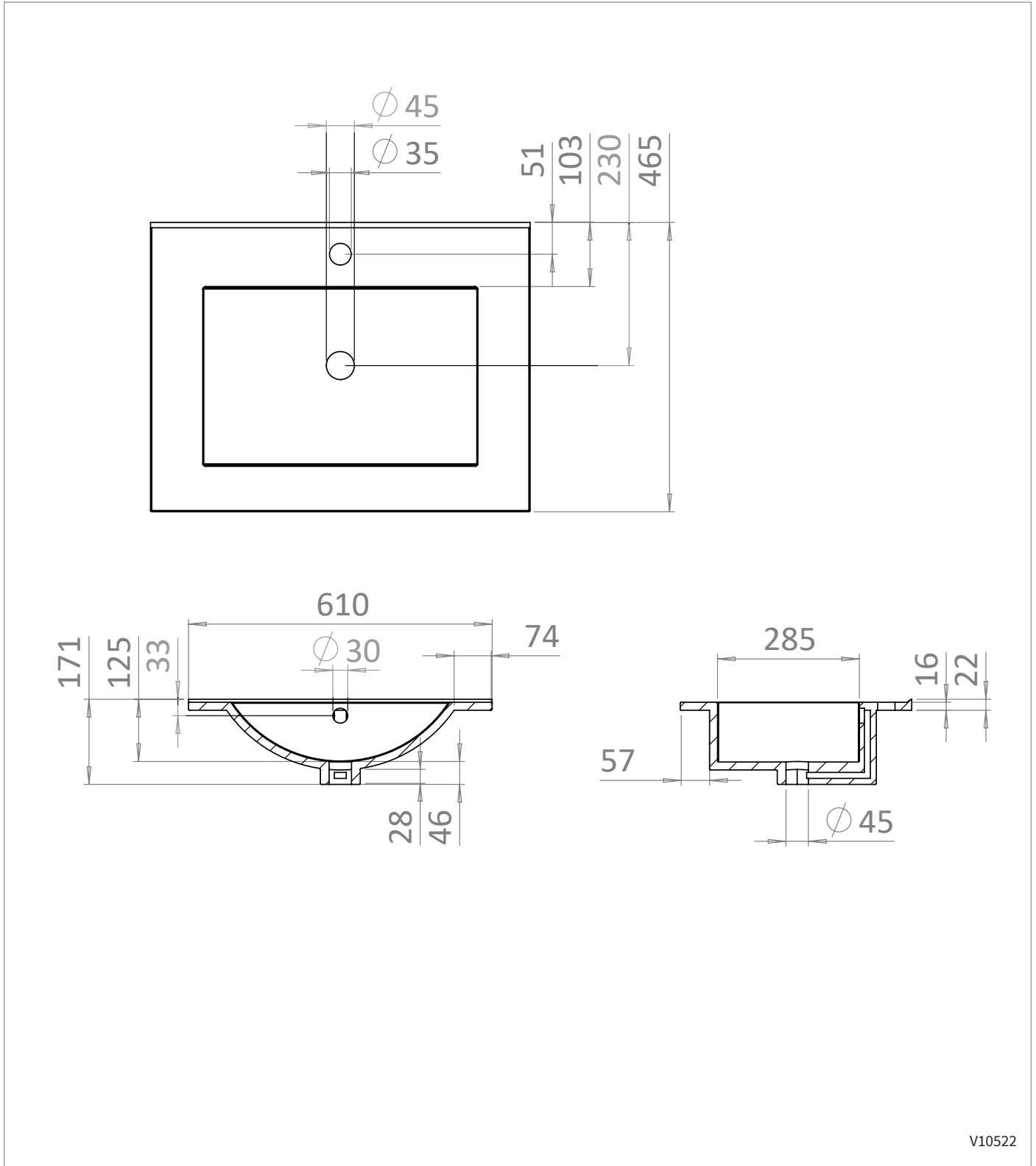
WEIGHT 12.5kg

WARRANTY 10 Years

TECHNICAL DIMENSIONS

Dimensions in mm unless otherwise specified.

Tolerances (per material type) apply.



V10522

PRODUCT DATA SHEET

crosswater[®]



PRODUCT CODE

DE0613SCW+

RANGE

Glide II

DESCRIPTION

Glide II Basin 600 Ceramic O/F 3TH
White

WEBSITE LINK [Click Here](#)

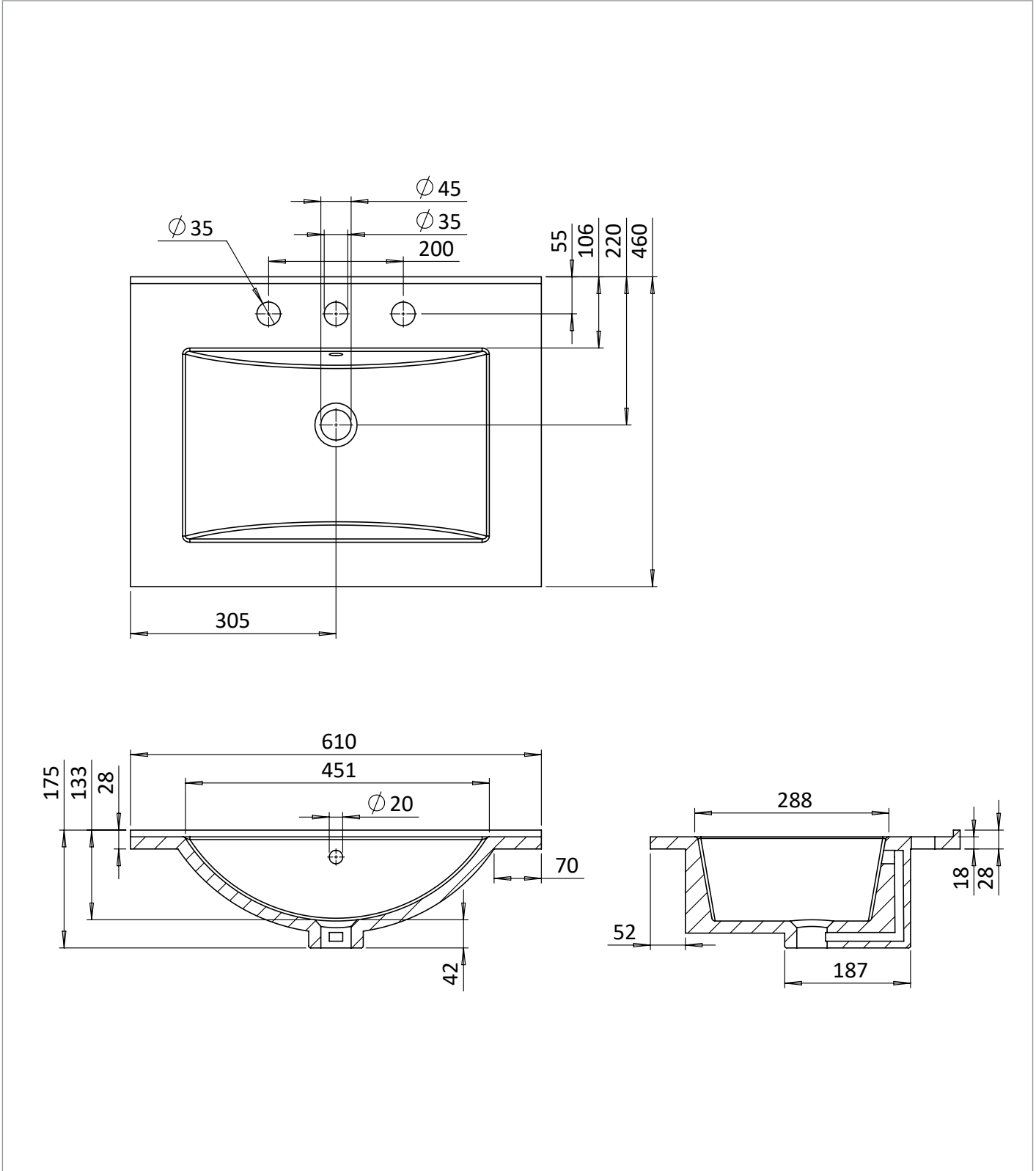
CATEGORY	Sanitaryware
WARRANTY DETAILS	Lifetime*
COLOUR	White Gloss
FINISH APPLICATION	Glazed
PRIMARY MATERIAL	Vitreous China
INSTALL TYPE	Furniture Mounted
PRODUCT WIDTH MM	610
PRODUCT HEIGHT MM	175
PRODUCT DEPTH MM	460
PRODUCT NET WEIGHT KG	12
STANDARDS	BS EN 14688, BS EN 31

TAP HOLES	3TH
FIXINGS INCLUDED	No
OVERFLOW	Yes
BASIN WASTE SIZE	45 mm
CAPACITY 1L - WATER AT OVERFLOW LEVEL BASIN	4.3

TECHNICAL DIMENSIONS

Dimensions in mm unless otherwise specified.

Tolerances (per material type) apply.



SPARES LIST

Only the parts labelled are available as spares.

NO SPARES AVAILABLE