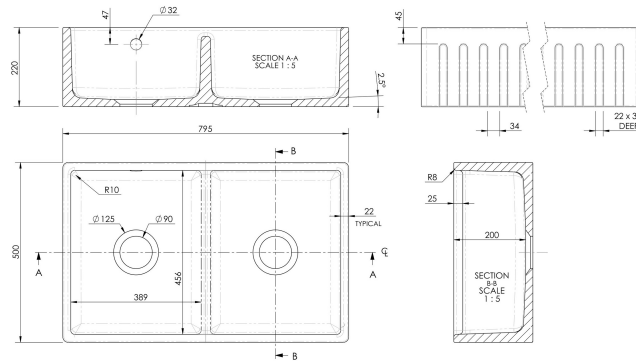


Sales Code: BUF111AS32D

Description: Butler Sink Fluted Sw & Of 795X500x220



Product Dimensions

Height (mm):	220
Width (mm):	795
Depth (mm):	500
Nett Weight (kg):	42.7

Packaging Dimensions

Height (mm):	237
Width (mm):	814
Depth (mm):	507
Gross Weight (kg):	43.2

Packaging Data

Box Colour:	Brown Cardboard Box
Box Qty:	1
Label Size:	100 x 50
Label Colour:	White Label
Label Qty:	2

Outer Box Dimensions (If Applicable)

Height (mm):	
Width (mm):	
Depth (mm):	
Gross Weight (kg):	
Barcode:	5056678435816

Product Details

Country of Origin:	Utd.Arab.Emir.	
Fitting Instruction:	No	
Certification: CE & UKCA:	WRAS:	WRAS No:
Product Material:		
Fixing Supplied:		

Pans/Bidets: Trap Style: Includes Seat:

Seats: Seat Type: Material:
Function: Hinge Type:
Hinge Material:

Cisterns: Operating Type: Fittings:
Lever Type:

Basins: Tap Hole: Chain Stay Hole:
Template: Waste Type Req:
Overflow Inc: Overflow Cover:
Inner Bowl Depth (mm): 198