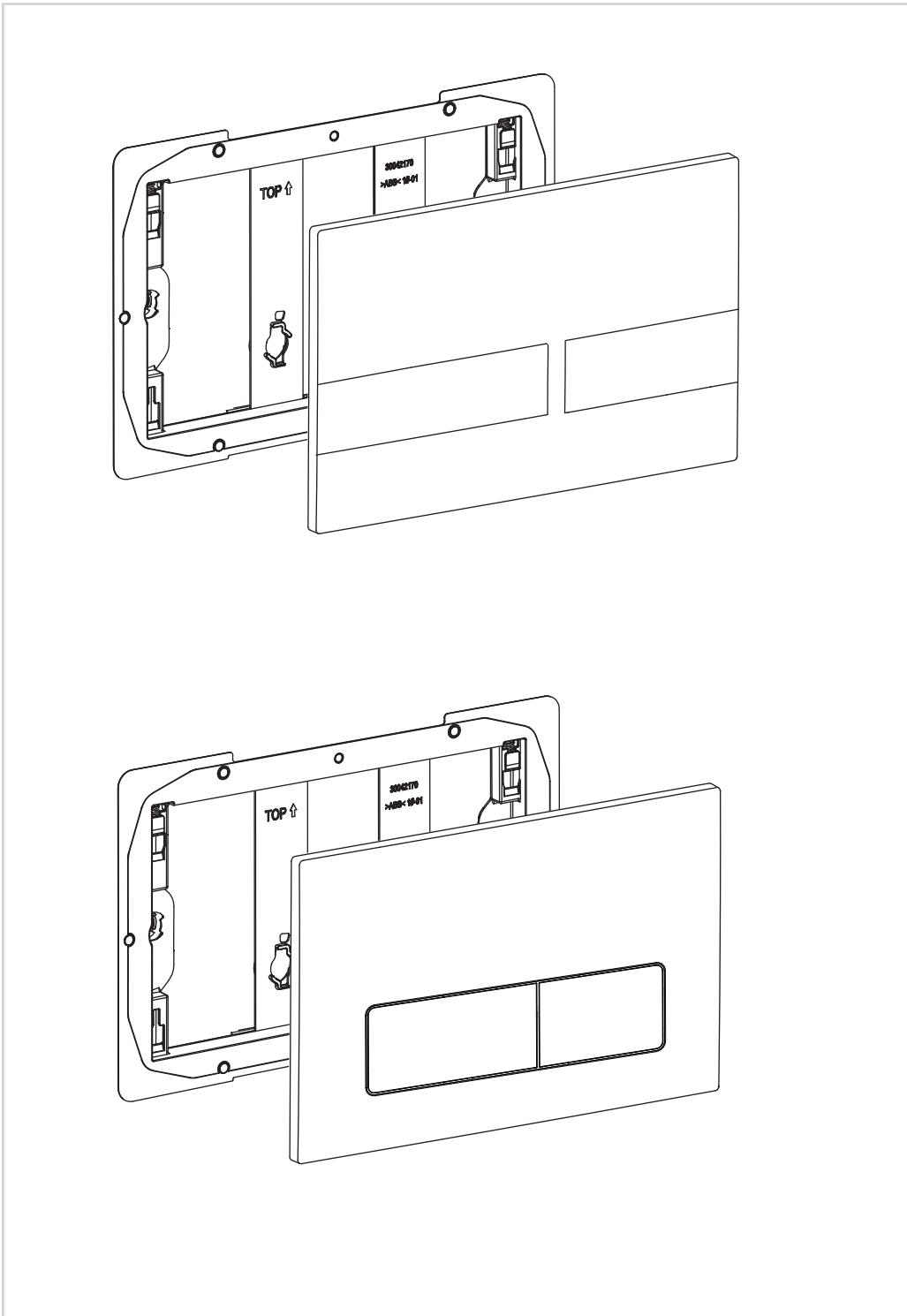


CISTERN & FRAME

FLUSH PLATE



PRODUCT CODES:

VENFLUSHC
VENFLUSHB
VENFLUSHF
VENFLUSHV
VENFLUSHT
VENFLUSHBZ
MPROFLUSHC
MPROFLUSHB
MPROFLUSHF
MPROFLUSHV
MPROFLUSHT
MPROFLUSHBZ

BR_VENFLUSHC
BR_VENFLUSHB
BR_VENFLUSHF
BR_VENFLUSHV

BEFORE YOU START



IMPORTANT INFORMATION BEFORE YOU START

Please read carefully and keep this information for reference. Thank you for buying a Bathroom Brands Product. To ensure that it works to its full potential, it needs to be fitted correctly. Check the contents of the pack carefully before installation.

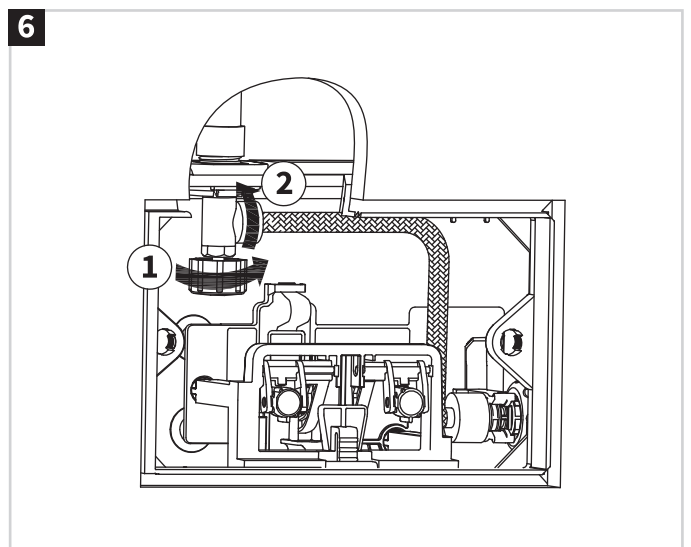
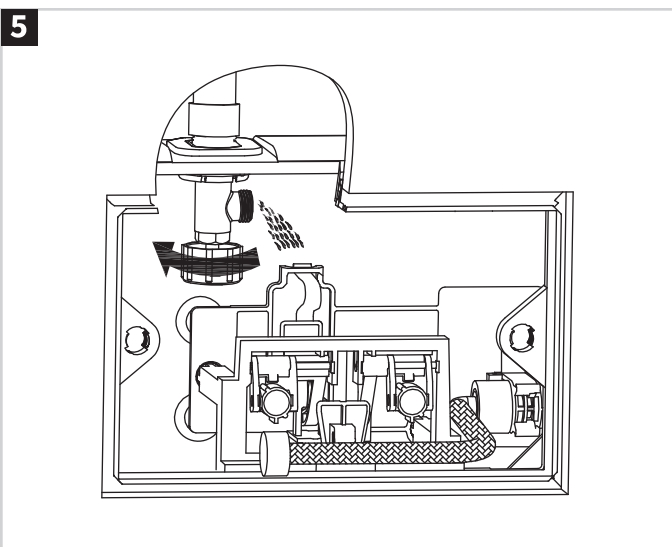
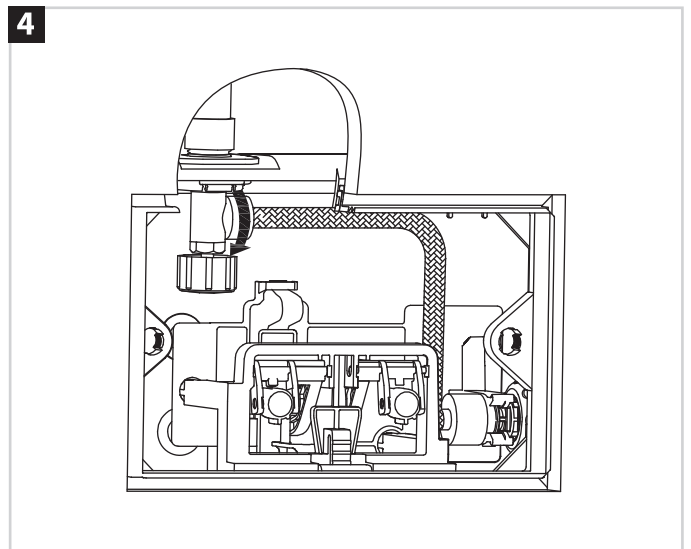
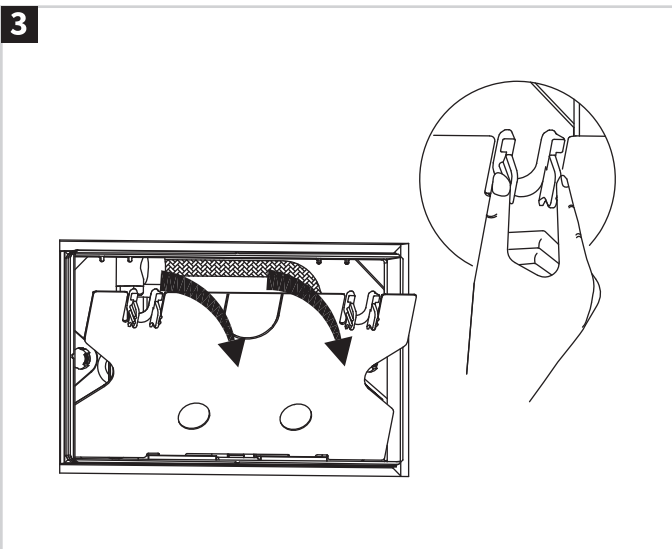
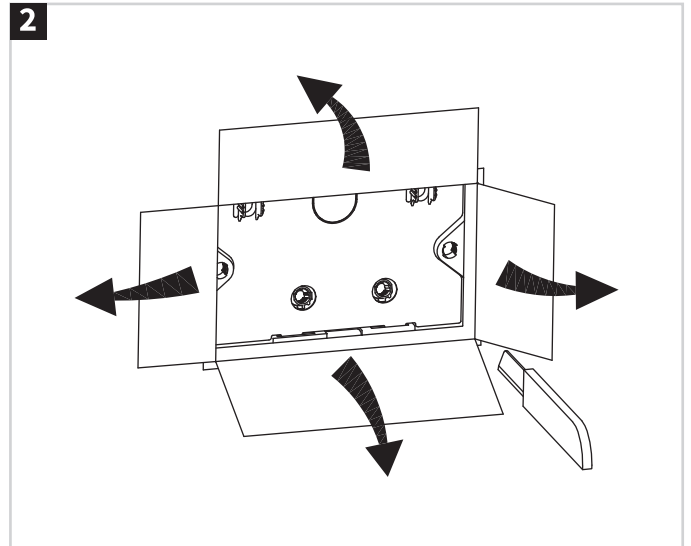
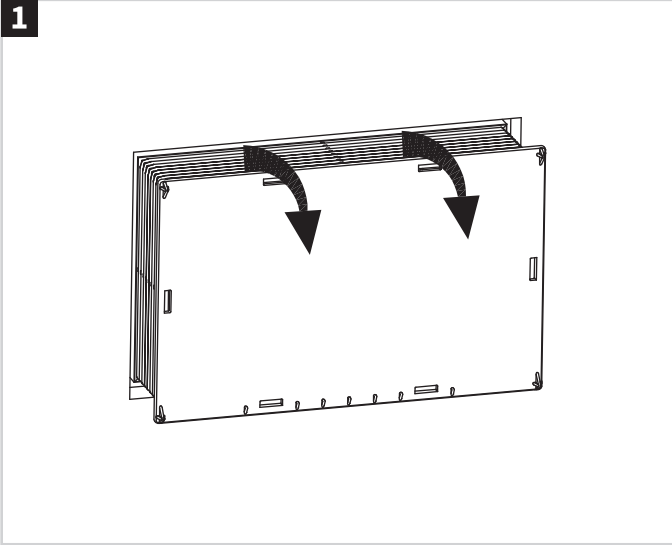
Bathroom Brands will not be held responsible for any re-fit costs where faulty product has been. If any fault is found with materials or workmanship, it must be reported immediately to the manufacturer. Remedial action will be taken based on information received, on condition that:

1. Full details are supplied to the manufacturer.
2. The product has not been modified or tampered with.
3. The manufacturer is informed of any damage/shortages prior to installation.
4. The product has not been installed, or attempts have been made to install.

We do not accept responsibility for any problems that may occur through incorrect installation. This product should only be installed by a suitably qualified plumber/installer.

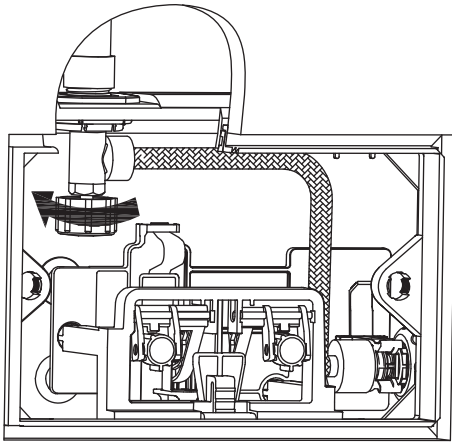
Should the installation be completed by a non-qualified person any product guarantee maybe considered invalid.

INSTALLATION

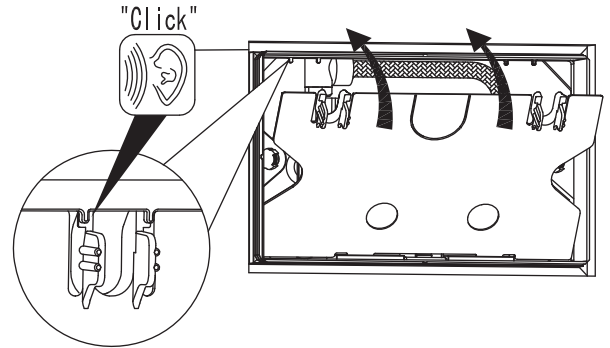


INSTALLATION

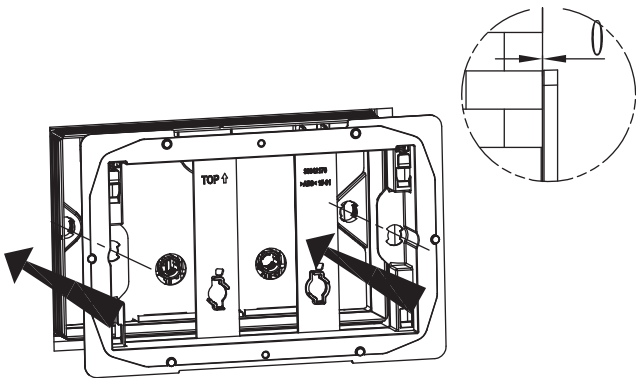
7



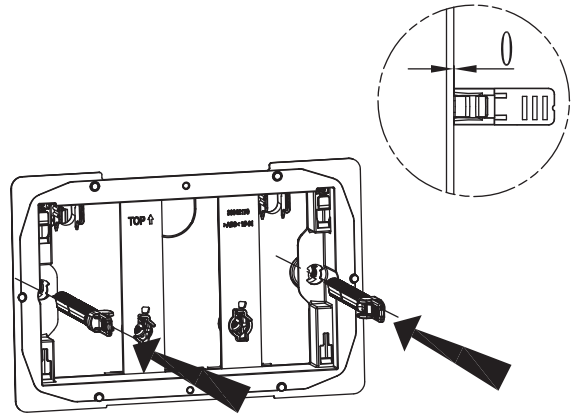
8



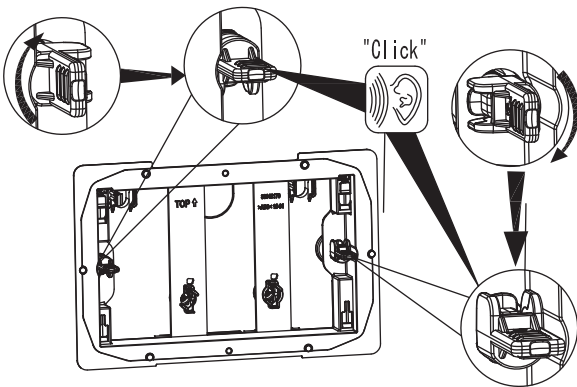
9



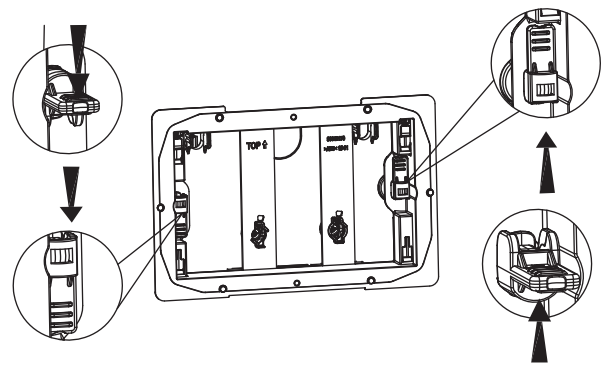
10



11

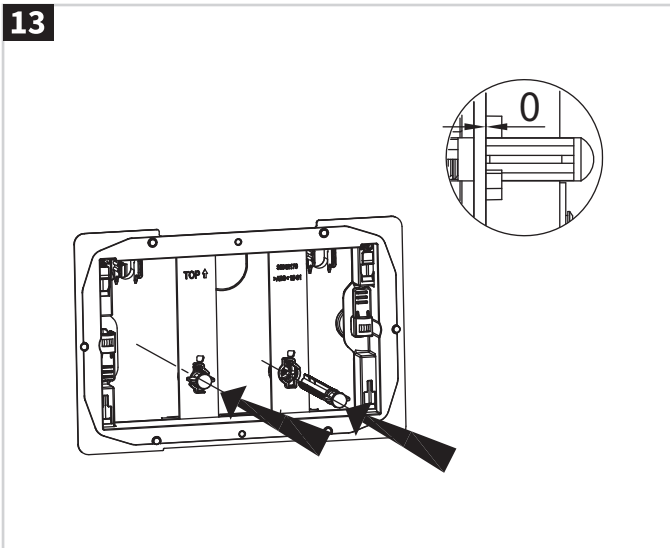


12

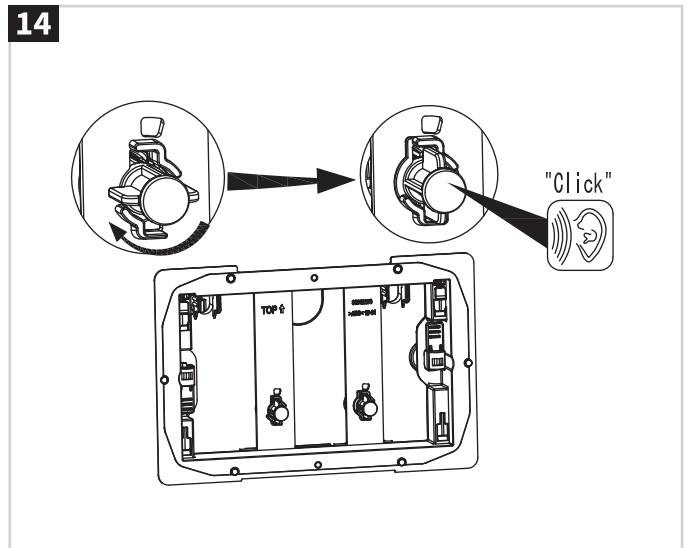


INSTALLATION

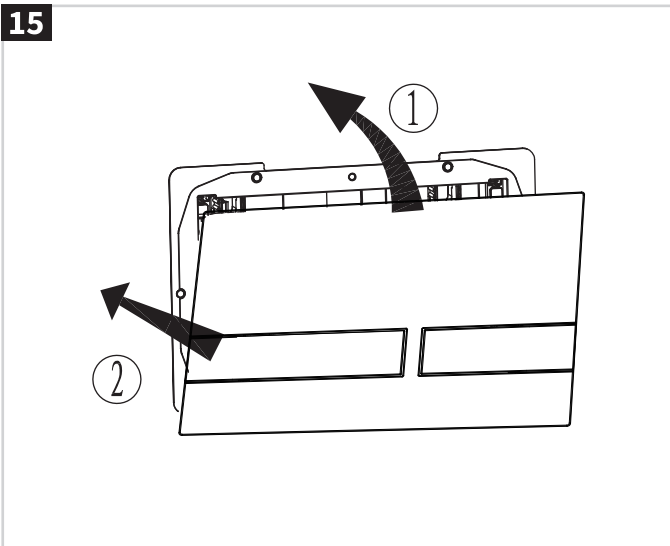
13



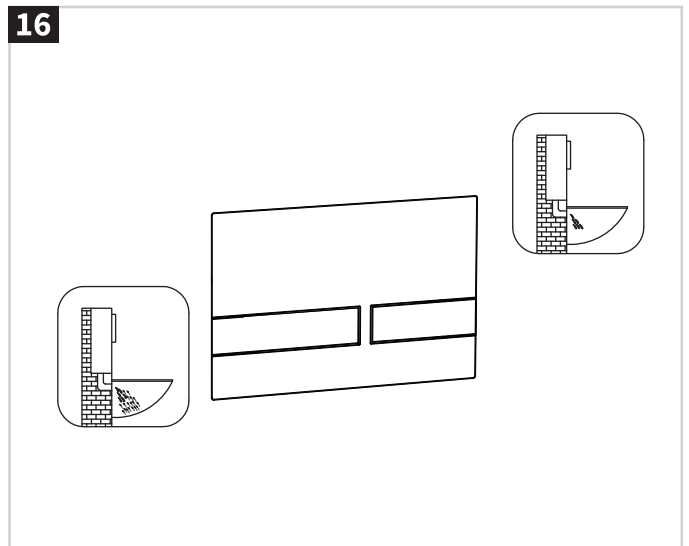
14



15



16



Compatible with following concealed cisterns:

WCC46X39R	BR_WCC46X39R
WCC51X51R	BR_WCC51X51R
WCF114X50R	BR_WCF114X50R
WCF114X51R	BR_WCF114X51R
WCF114X59R	BR_WCF114X59R
WCF80X45R	BR_WCF80X45R
WCF98X45R	BR_WCF98X45R

CARE & MAINTENANCE

Do not use cleaning agents containing chlorine, acids or abrasive agents which could damage the surface.
Clean only with a soft cloth using a mild detergent and dry with a micro fibre cloth or similar.