

# PRODUCT DATA SHEET

crosswater<sup>®</sup>



## PRODUCT CODE

WCC46X39R

## RANGE

Toilet Cisterns

## DESCRIPTION

Dual Flush Concealed Cistern (with discharge pipe & installation kit)

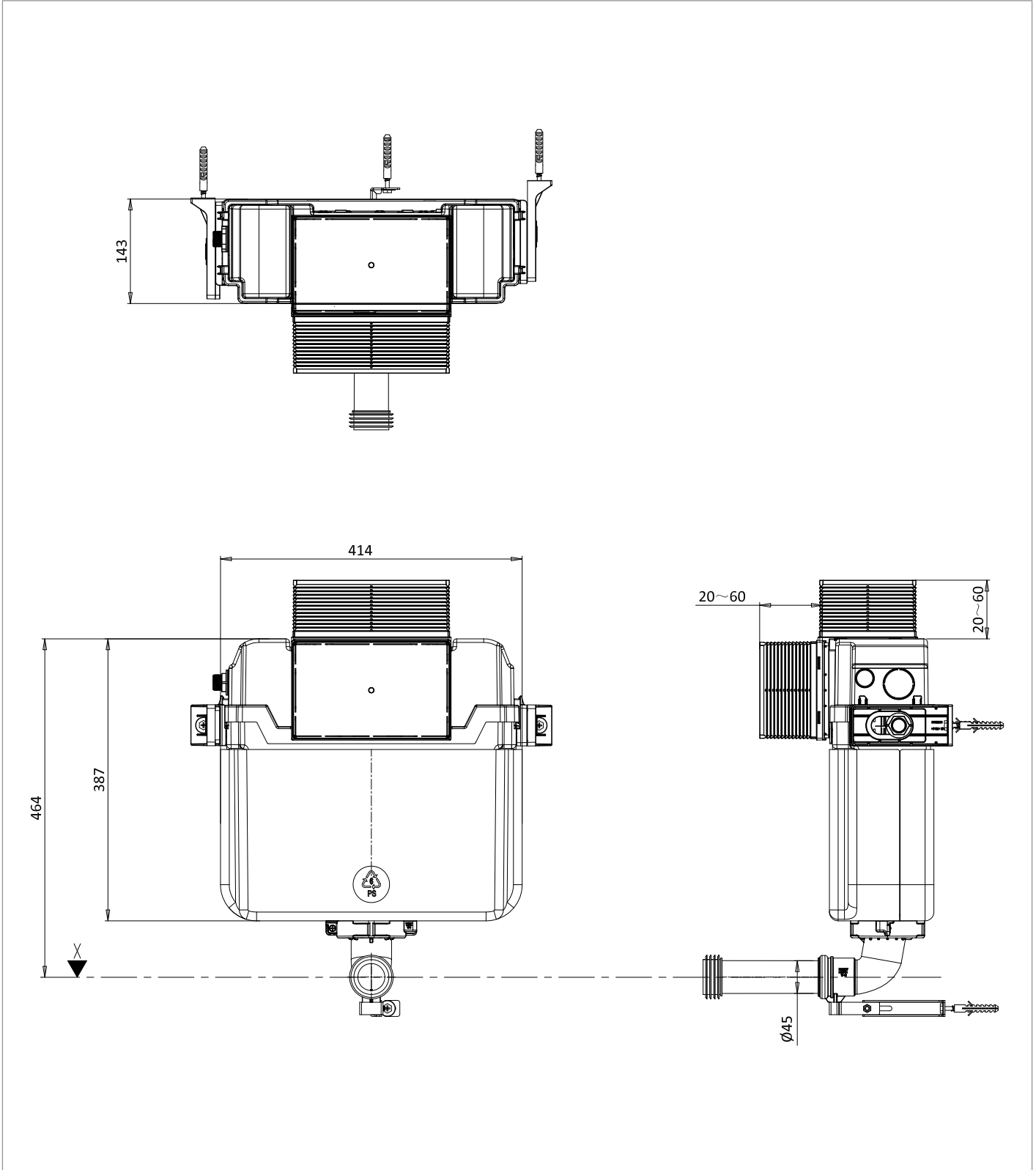
CATEGORY	Sanitaryware
WARRANTY DETAILS	5 Years
PRIMARY MATERIAL	Plastic
INSTALL TYPE	Wall Mounted
PRODUCT WIDTH MM	414
PRODUCT HEIGHT MM	387
PRODUCT LENGTH MM	143
PRODUCT NET WEIGHT KG	2.93
STANDARDS	BS EN 14055:2018

FIXINGS INCLUDED	Yes
FLUSH VOLUME	6/4L
FIXING TYPE	Wall Mounted fixing
CISTERN FLUSH MECHANISM	Dual Flush with Mechanical Flush Plate
NOISE CLASS	Group I

## TECHNICAL DIMENSIONS

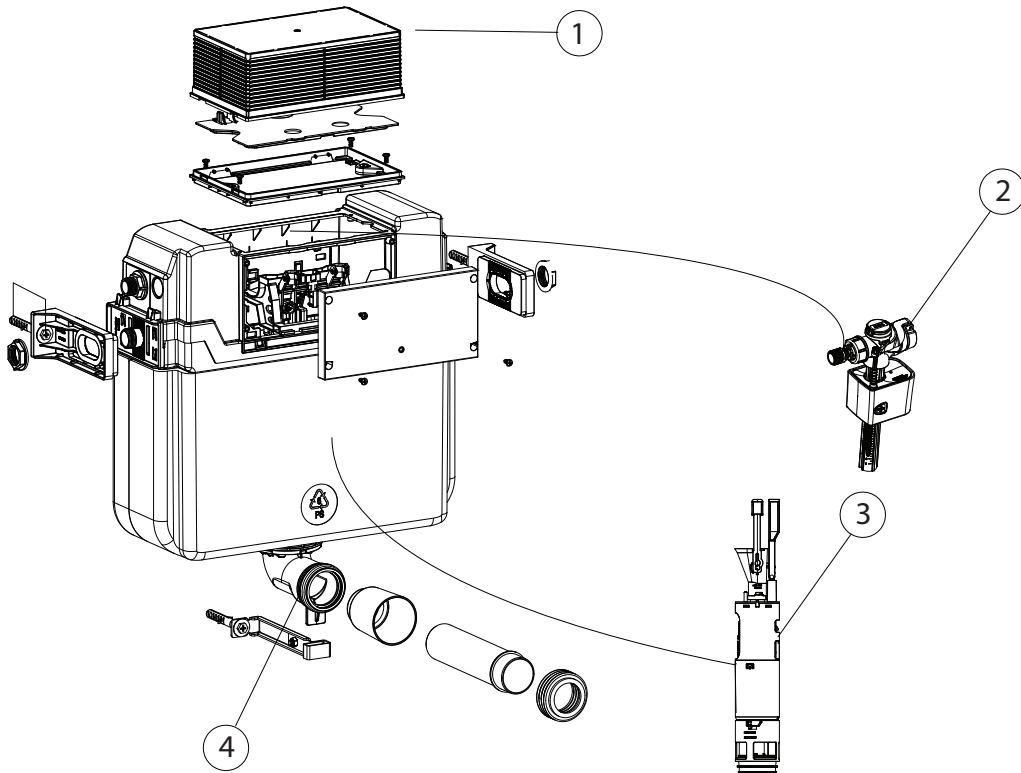
Dimensions in mm unless otherwise specified.

Tolerances (per material type) apply.



## SPARES LIST

Only the parts labelled are available as spares.



NUMBER	PART CODE	DESCRIPTION
1	CWSP008	Flush plate mounting assembly for WCC46X39R/WCF80X45R/WCF98X45R
2	CWSP020	Replacement fill valve for WCC46X39R/WCF80X45R/WCF98X45R
3	CWSP024	Replacement flush valve for WCC46X39R/WCF80X45R/WCF98X45R
4	CWSP028	Replacement waste pipe for concealed frames