

PRODUCT DATA SHEET



PRODUCT CODE
PROMODPUSH2000LBPF

RANGE
Module

DESCRIPTION
Module MRPO Push 2 Outlet Trimset
Brushed Brass

WEBSITE LINK [Click Here](#)

| | |
|-----------------------|---------------|
| CATEGORY | Brassware |
| WARRANTY DETAILS | 15 Years |
| COLOUR | Brushed Brass |
| FINISH APPLICATION | PVD |
| PRIMARY MATERIAL | Zamac |
| SECONDARY MATERIAL | Plastic |
| INSTALL TYPE | Wall Mounted |
| PRODUCT WIDTH MM | 70 |
| PRODUCT HEIGHT MM | 70 |
| PRODUCT LENGTH MM | 280 |
| PRODUCT DEPTH MM | 62 |
| PRODUCT NET WEIGHT KG | 1.2 |

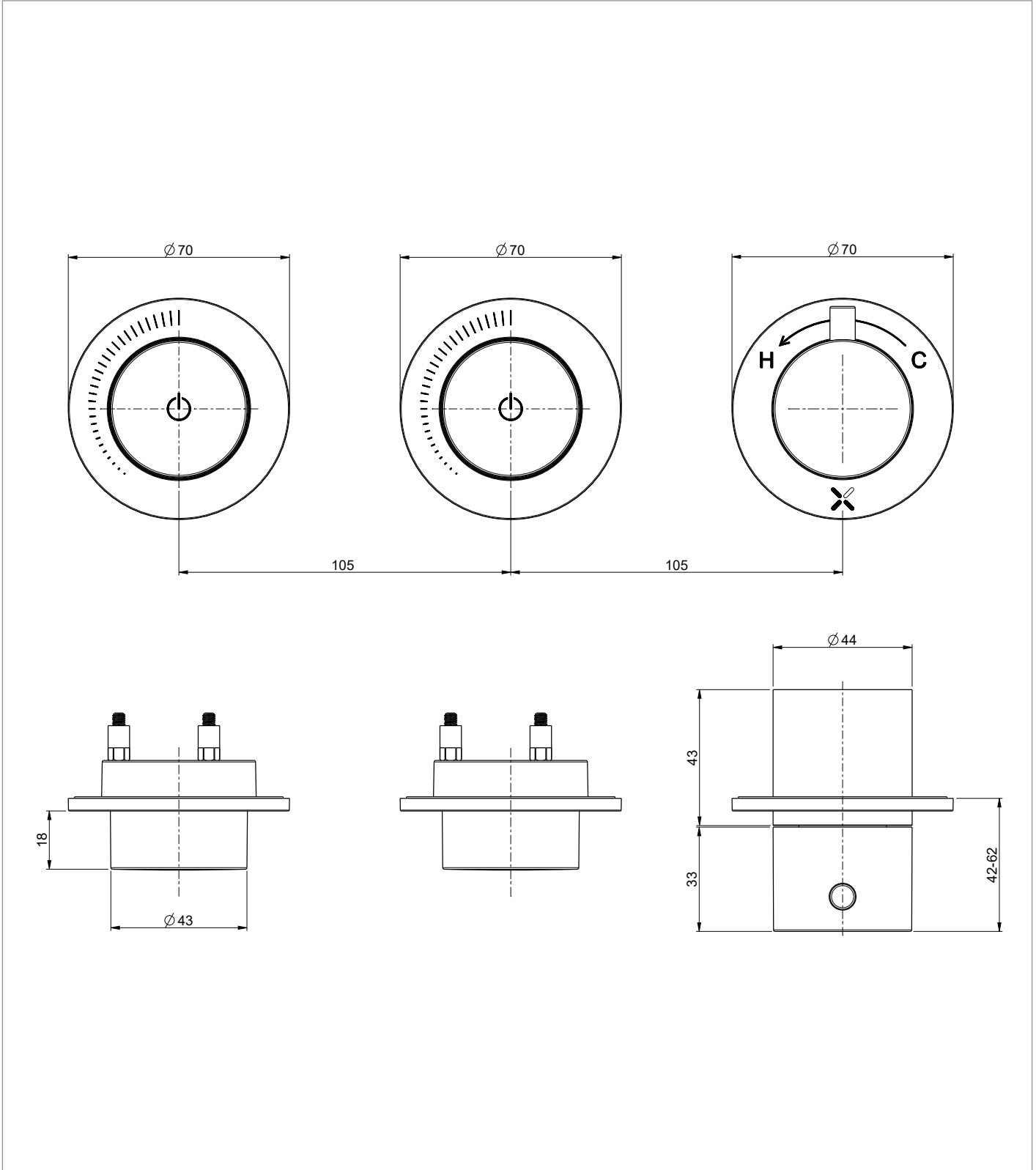
| | |
|------------------------------------|----|
| STANDARDS | NO |
| NUMBER OF FUNCTIONS | 2 |
| SWIVEL SPOUT | No |
| WASTE INCLUDED | No |
| ANTI-SCALD | No |
| ENERGY SAVING | No |
| SHOWER HOSE & HANDSET ARE INCLUDED | No |

| | | | | | | | |
|---------------------|-----|-----|---|---|---|---|---|
| PRESSURE (BAR) | 0.2 | 0.5 | 1 | 2 | 3 | 4 | 5 |
| PRIMARY FLOWRATE | | | | | | | |
| HANDSET FLOWRATE | | | | | | | |
| MASSAGE FLOW RATE | | | | | | | |
| AIR FLOW RATE | | | | | | | |
| WIRE FLOW RATE | | | | | | | |
| WATERFALL FLOW RATE | | | | | | | |
| MIST FLOW RATE | | | | | | | |
| HANDSPRAY FLOW RATE | | | | | | | |

TECHNICAL DIMENSIONS

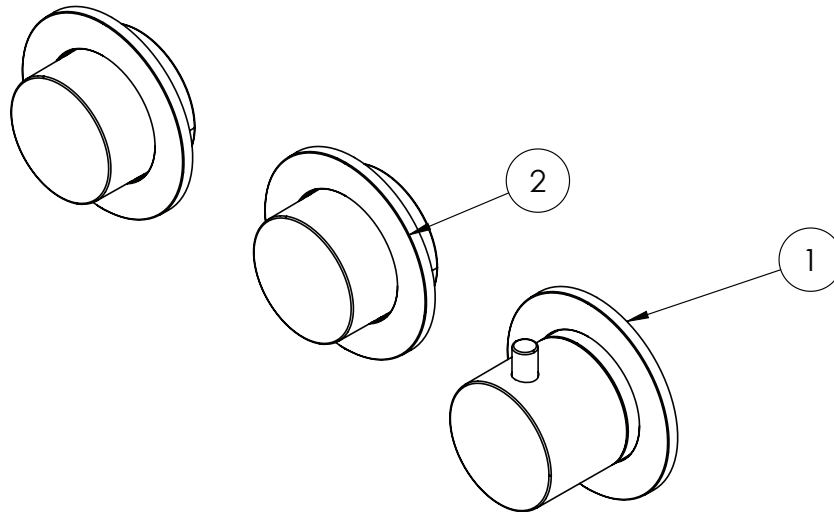
Dimensions in mm unless otherwise specified.

Tolerances (per material type) apply.



SPARES LIST

Only the parts labelled are available as spares.



| NUMBER | PART CODE | DESCRIPTION |
|--------|----------------|--------------------------------------------------------|
| 1 | R005117137HESC | Thermostatic handle collar round plate Bronze Painted |
| | R005117021HESC | Thermostatic handle collar round plate Chrome |
| | R005117282HESC | Thermostatic handle collar round plate Brushed Brass |
| | R005117130HESC | Thermostatic handle collar round plate Matt Black |
| | R005117486HESC | Thermostatic handle collar round plate Slate |
| | R005117275HESC | Thermostatic handle collar round plate Stainless Steel |
| 2 | R005101137HESC | Push handle round plate Bronze |
| | R005101021HESC | Push handle round plate Chrome |
| | R005101282HESC | Push handle round plate Brushed Brass |
| | R005101130HESC | Push handle round plate Matt Black |
| | R005101486HESC | Push handle round plate Slate |
| | R005101275HESC | Push handle round plate Stainless Steel |

PRODUCT DATA SHEET



PRODUCT CODE
PROMODPUSH2701LBPF

RANGE

Module

DESCRIPTION

Module MRPO Push 2 Outlet Trimset with Handset Brushed Brass

WEBSITE LINK [Click Here](#)

| | |
|----------------------------|---------------|
| CATEGORY | Brassware |
| WARRANTY DETAILS | 15 Years |
| COLOUR | Brushed Brass |
| FINISH APPLICATION | PVD |
| PRIMARY MATERIAL | Zamac |
| SECONDARY MATERIAL | Plastic |
| INSTALL TYPE | Wall Mounted |
| PRODUCT WIDTH MM | 70 |
| PRODUCT HEIGHT MM | 70 |
| PRODUCT LENGTH MM | 385 |
| PRODUCT DEPTH MM | 62 |
| PRODUCT NET WEIGHT KG | 2.2 |
| MINIMUM PRESSURE (BAR) | 1 |
| MAX WORKING PRESSURE (BAR) | 5 |

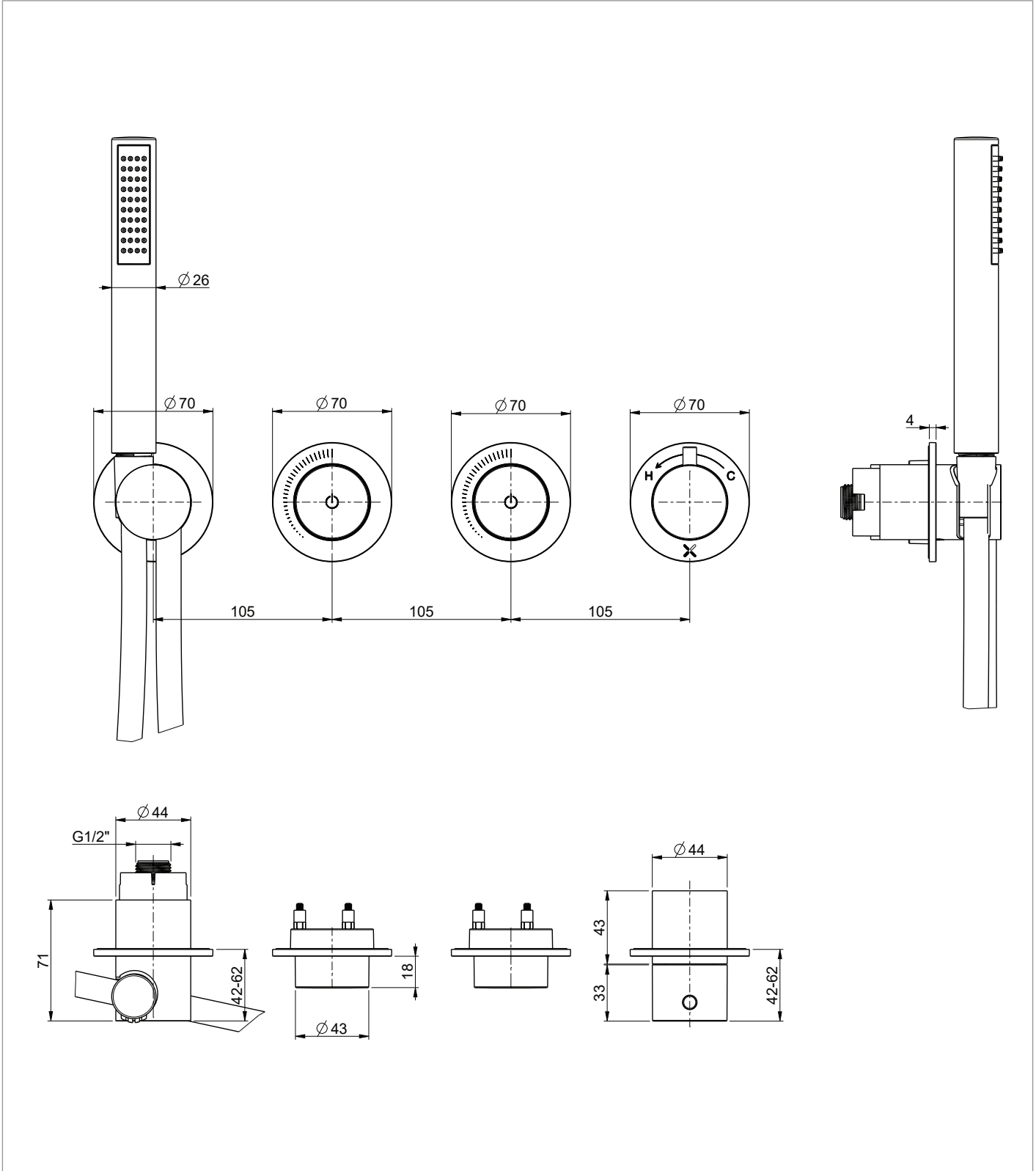
| | |
|------------------------------------|-----|
| STANDARDS | NO |
| NUMBER OF FUNCTIONS | 2 |
| SWIVEL SPOUT | No |
| WASTE INCLUDED | No |
| ANTI-SCALD | No |
| ENERGY SAVING | No |
| SHOWER HOSE & HANDSET ARE INCLUDED | Yes |

| PRESSURE (BAR) | 0.2 | 0.5 | 1 | 2 | 3 | 4 | 5 |
|---------------------|-----|-----|-----|------|------|------|------|
| PRIMARY FLOWRATE | | | | | | | |
| HANDSET FLOWRATE | | | 9.7 | 13.6 | 16.6 | 19.1 | 21.8 |
| MASSAGE FLOW RATE | | | | | | | |
| AIR FLOW RATE | | | | | | | |
| WIRE FLOW RATE | | | | | | | |
| WATERFALL FLOW RATE | | | | | | | |
| MIST FLOW RATE | | | | | | | |
| HANDSPRAY FLOW RATE | | | | | | | |

TECHNICAL DIMENSIONS

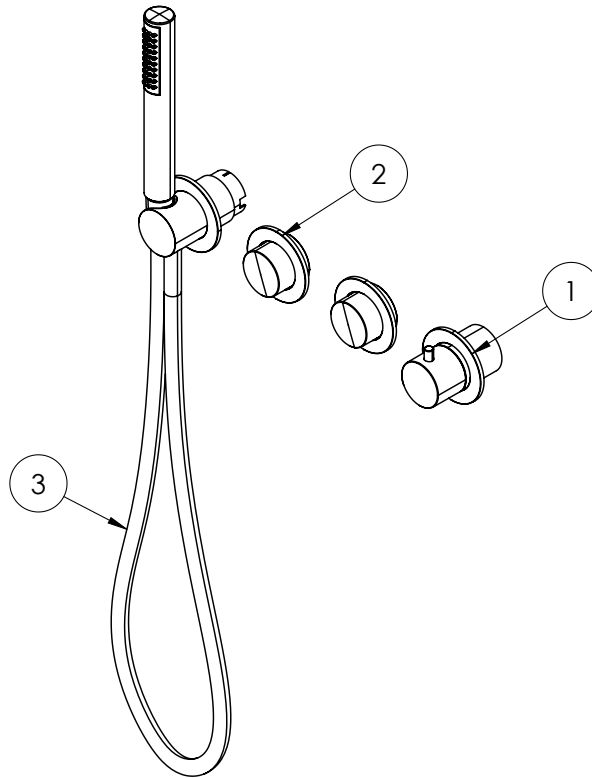
Dimensions in mm unless otherwise specified.

Tolerances (per material type) apply.



SPARES LIST

Only the parts labelled are available as spares.



| NUMBER | PART CODE | DESCRIPTION |
|--------|----------------|--------------------------------------------------------|
| 1 | R005117137HESC | Thermostatic handle collar round plate Bronze Painted |
| | R005117021HESC | Thermostatic handle collar round plate Chrome |
| | R005117282HESC | Thermostatic handle collar round plate Brushed Brass |
| | R005117130HESC | Thermostatic handle collar round plate Matt Black |
| | R005117486HESC | Thermostatic handle collar round plate Slate |
| | R005117275HESC | Thermostatic handle collar round plate Stainless Steel |
| 2 | R005101137HESC | Push handle round plate Bronze |
| | R005101021HESC | Push handle round plate Chrome |
| | R005101282HESC | Push handle round plate Brushed Brass |
| | R005101130HESC | Push handle round plate Matt Black |
| | R005101486HESC | Push handle round plate Slate |
| | R005101275HESC | Push handle round plate Stainless Steel |
| 3 | C084089000G8HE | Module hose Bronze |