

PRODUCT DATA SHEET



PRODUCT CODE
PROMODDIVLBPC

RANGE
MODULE

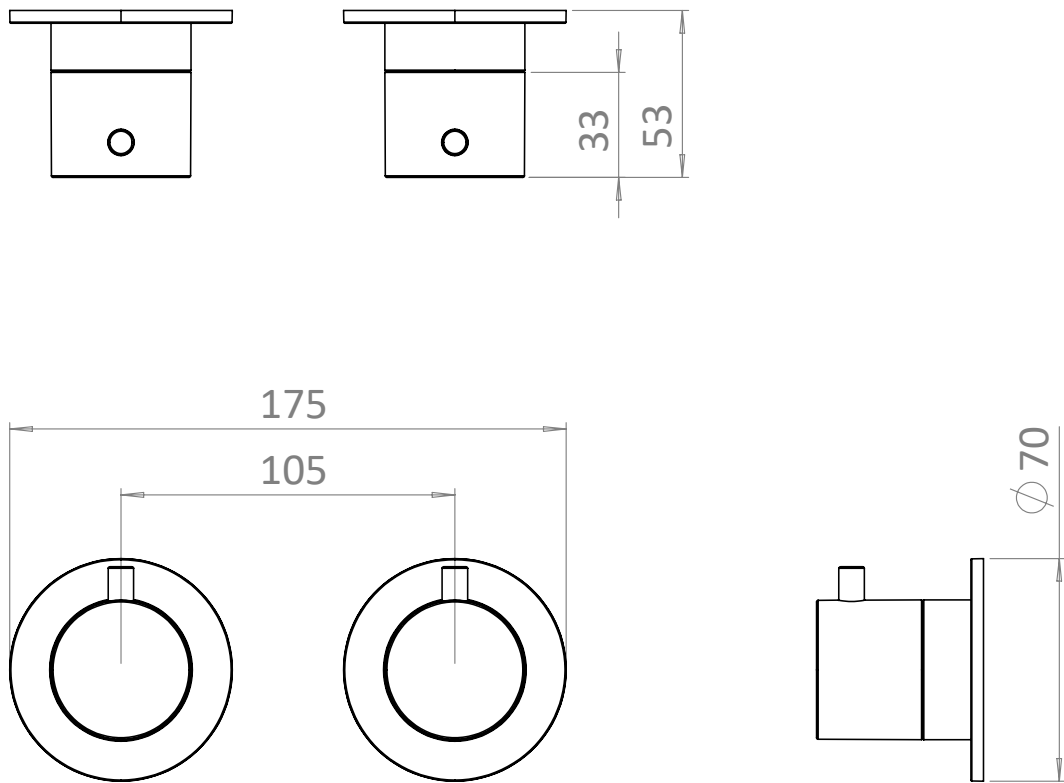
DESCRIPTION
Module 2 Control Diverter Trimset
Chrome

COLOUR	Chrome
MATERIAL	Brass
FINISH APPLICATION	Electroplating
INSTALLATION TYPE	Wall Mounted
WEIGHT	0.95kg
WARRANTY	15 Years

TECHNICAL DIMENSIONS

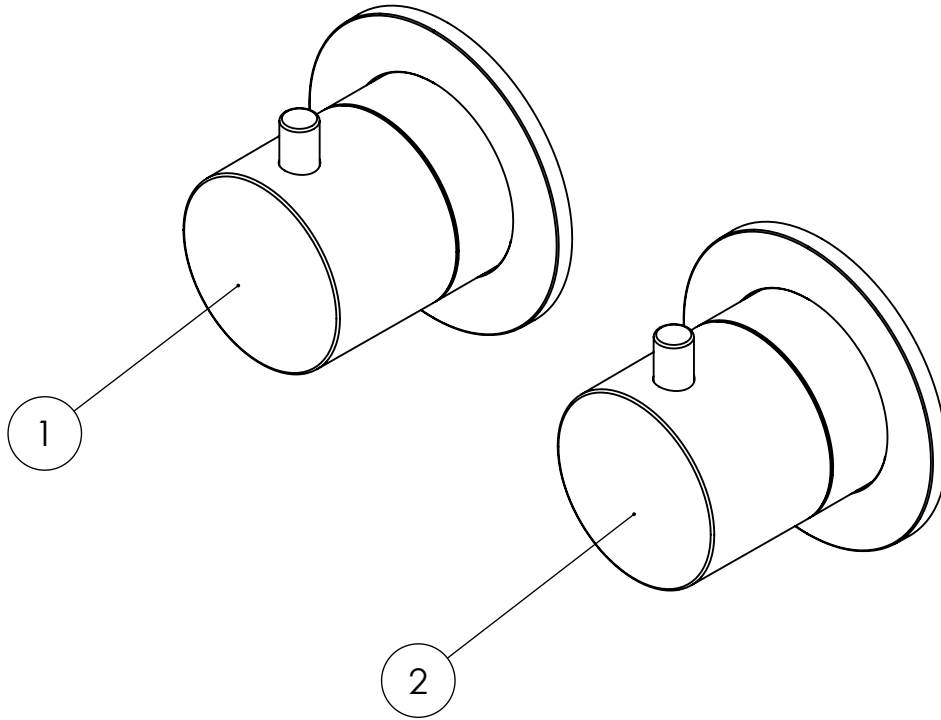
Dimensions in mm unless otherwise specified.

Tolerances (per material type) apply.



V10622

SPARES DIAGRAM



NUMBER	PART CODE	DESCRIPTION
1	E005058.021HESC	Mod Handle, Collar and Plate for Diverter Chrome
2	E005056.021HESC	Mod Handle, Collar and Plate for Thermostat Chrome

Only the parts labelled are available as spares.

V10622

PRODUCT DATA SHEET



PRODUCT CODE
PROMOD1701TRIMC

RANGE
MODULE

DESCRIPTION
Module 2 Control Trimset Chrome With Handshower

COLOUR Chrome

MATERIAL Brass

FINISH Electroplating

INSTALLATION TYPE Wall Mounted

WEIGHT 1.9kg

STANDARDS EN 1111:2008

WARRANTY 15 Years

MIN. PRESSURE 1 Bar

MAX. PRESSURE 5 Bar

MOD1701R - 2 OUTLET

PRESSURE (BAR)	FLOWRATE			
	EXIT 1	EXIT 2 HAND SHOWER	EXIT 1+2	
MID	0.5	9.2	4.2	9.3
	1	13	6	13.4
	2	18.7	8.5	19
HIGH	3	23	10.7	23.5
	4	26.5	12.3	27
	5	29.5	13.8	30.3

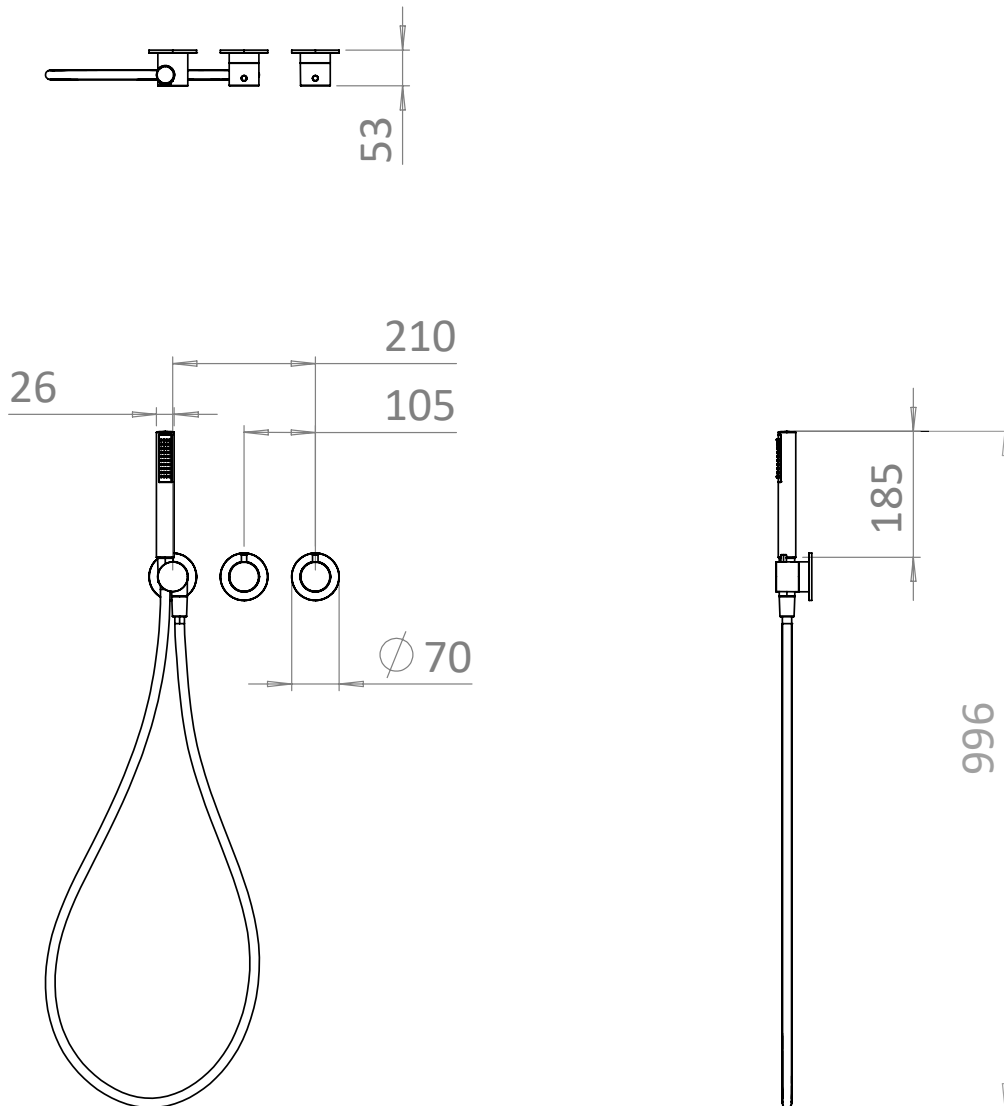
MOD3701R - 3 OUTLET

PRESSURE (BAR)	FLOWRATE			
	EXIT 1	EXIT 2 HAND SHOWER	EXIT 3	
MID	0.5	10	4.1	9.7
	1	13.7	6	13.4
	2	19.5	8.5	19
HIGH	3	23.8	10.6	23.3
	4	27.5	12.3	26.8
	5	30.5	13.8	29.8

TECHNICAL DIMENSIONS

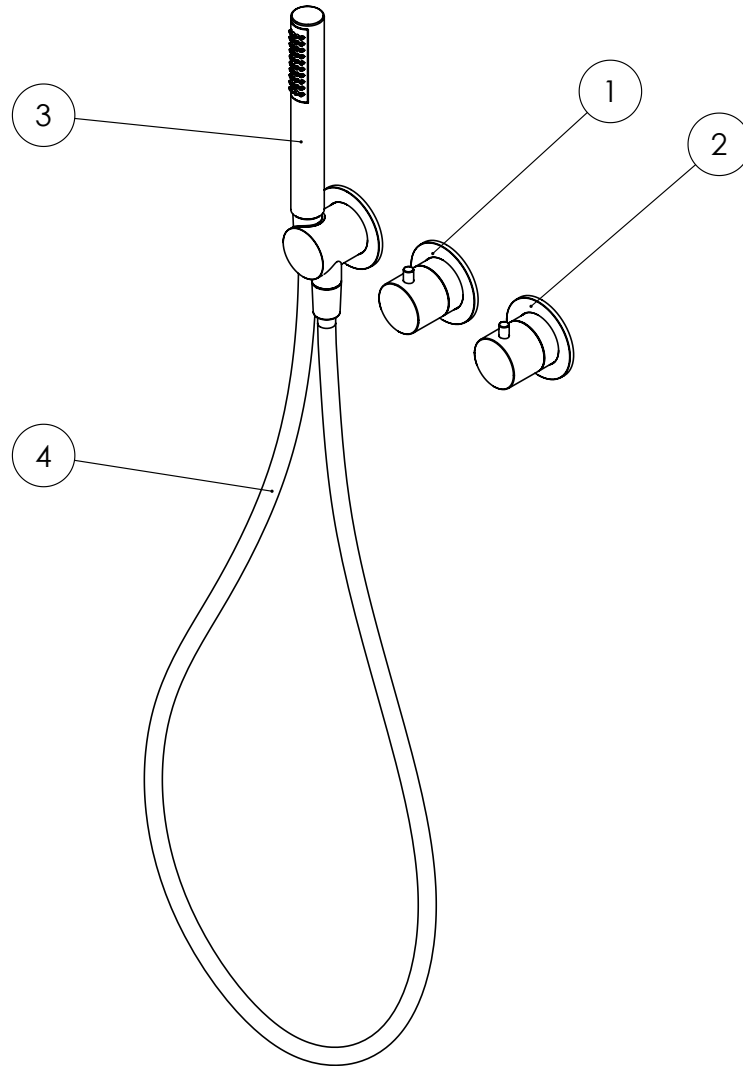
Dimensions in mm unless otherwise specified.

Tolerances (per material type) apply.



V10622

SPARES DIAGRAM



NUMBER	PART CODE	DESCRIPTION
1	E005058.021HESC	Mod Handle, Collar and Plate for Diverter Chrome
2	E005056.021HESC	Mod Handle, Collar and Plate for Thermostat Chrome
3	E082019.00200SC	Module Bath Spout Chrome
4	C084021.00001SA	Module Shower Hose Chrome

Only the parts labelled are available as spares.

V10622