

# PRODUCT DATA SHEET



## PRODUCT CODE

MOD3701R

## RANGE

Module

## DESCRIPTION

Module 3 Outlet Valve Bath Spout Or Handshower And 2 Other Outlets

|                           |                                   |
|---------------------------|-----------------------------------|
| MATERIAL                  | Brass                             |
| INSTALLATION TYPE         | Wall Mounted                      |
| STANDARDS                 | EN 1111:2017                      |
| HEADWORK                  | Thermo Cartridge<br>Flow Controls |
| INLET CONNECTIONS THREAD  | G3/4"                             |
| OUTLET CONNECTIONS THREAD | G3/4"                             |
| WEIGHT                    | 4kg                               |
| WARRANTY                  | 15 Years (5 Years Cartridge)      |

MIN. PRESSURE 1 Bar

MAX. PRESSURE 5 Bar

### PROMOD1601TRIMx - 3 OUTLET

| PRESSURE (BAR) | FLOWRATE |                   |        |
|----------------|----------|-------------------|--------|
|                | EXIT 1   | EXIT 2 BATH SPOUT | EXIT 3 |
| MID            | 0.5      | 10                | 9.7    |
|                | 1        | 13.7              | 13.4   |
|                | 2        | 19.5              | 19     |
| HIGH           | 3        | 23.8              | 23.3   |
|                | 4        | 27.5              | 26.8   |
|                | 5        | 30.5              | 29.8   |

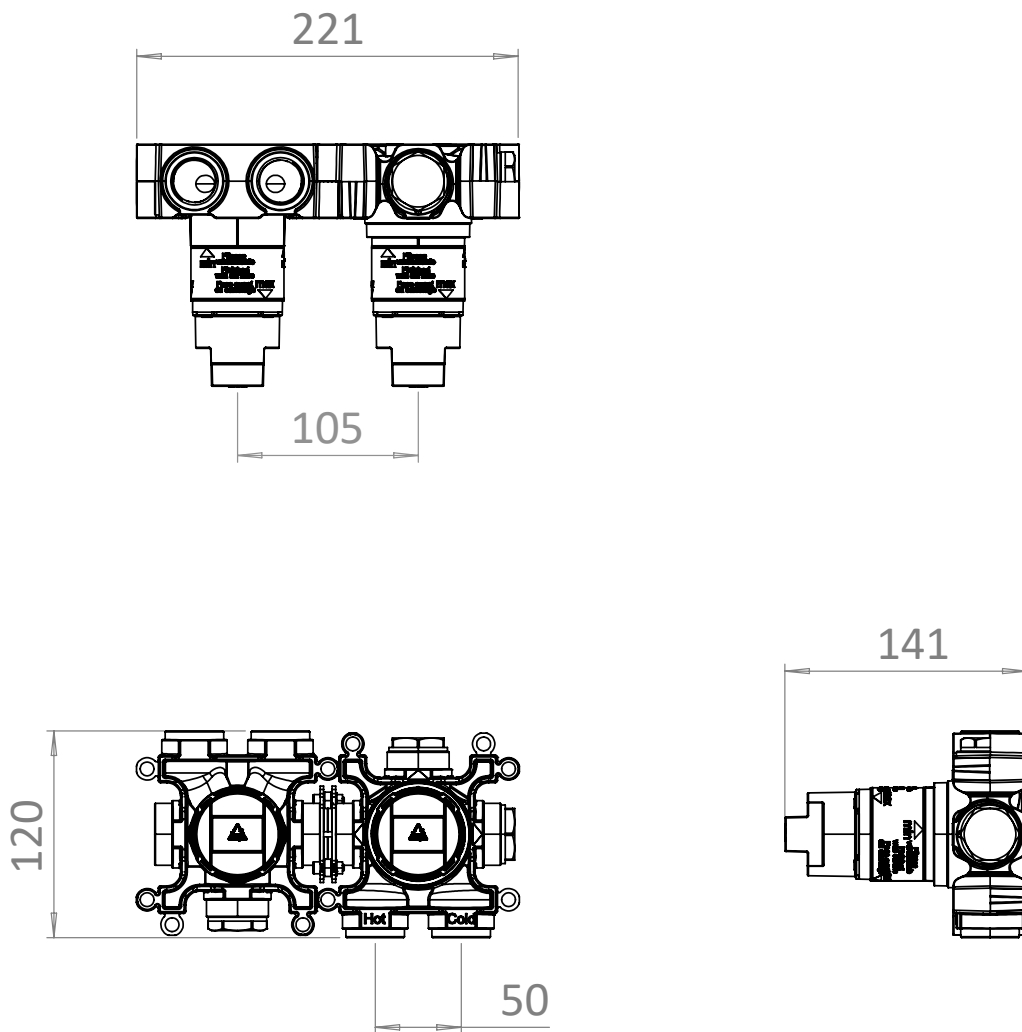
### PROMOD1701TRIMx - 3 OUTLET

| PRESSURE (BAR) | FLOWRATE |                    |        |
|----------------|----------|--------------------|--------|
|                | EXIT 1   | EXIT 2 HAND SHOWER | EXIT 3 |
| MID            | 0.5      | 10                 | 9.7    |
|                | 1        | 13.7               | 13.4   |
|                | 2        | 19.5               | 19     |
| HIGH           | 3        | 23.8               | 23.3   |
|                | 4        | 27.5               | 26.8   |
|                | 5        | 30.5               | 29.8   |

## TECHNICAL DIMENSIONS

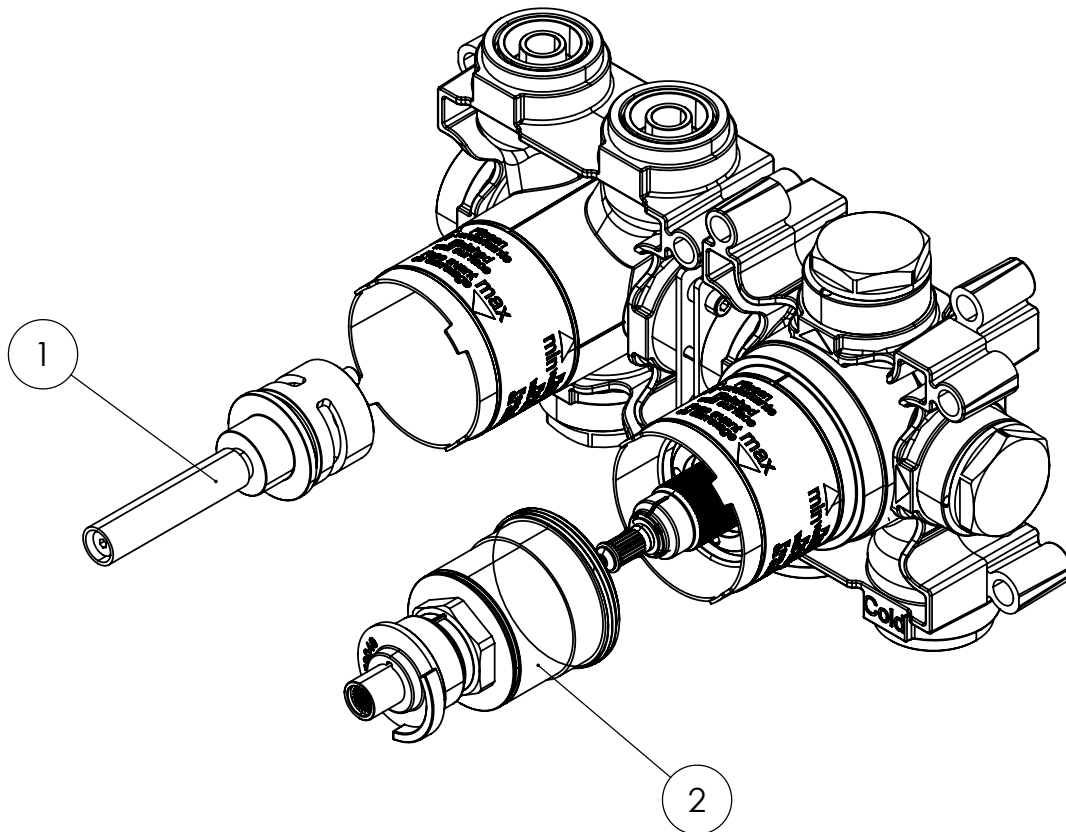
Dimensions in mm unless otherwise specified.

Tolerances (per material type) apply.



V10622

**SPARES DIAGRAM**



| NUMBER | PART CODE       | DESCRIPTION                     |
|--------|-----------------|---------------------------------|
| 1      | E250005.000HESC | Module 2 Way Diverter Cartridge |
| 2      | E250031.000HESC | Module Thermo Cartridge         |

Only the parts labelled are available as spares.

V10822

# PRODUCT DATA SHEET



**PRODUCT CODE**

MOD2500R

**RANGE**

Module

**DESCRIPTION**

Module 3 Outlet Valve

|                           |                                   |
|---------------------------|-----------------------------------|
| MATERIAL                  | Brass                             |
| INSTALLATION TYPE         | Wall Mounted                      |
| STANDARDS                 | EN 1111:2017                      |
| HEADWORK                  | Thermo Cartridge<br>Flow Controls |
| INLET CONNECTIONS THREAD  | G3/4"                             |
| OUTLET CONNECTIONS THREAD | G3/4"                             |
| WEIGHT                    | 3kg                               |
| WARRANTY                  | 15 Years (5 Years Cartridge)      |

MIN. PRESSURE 1 Bar

MAX. PRESSURE 5 Bar

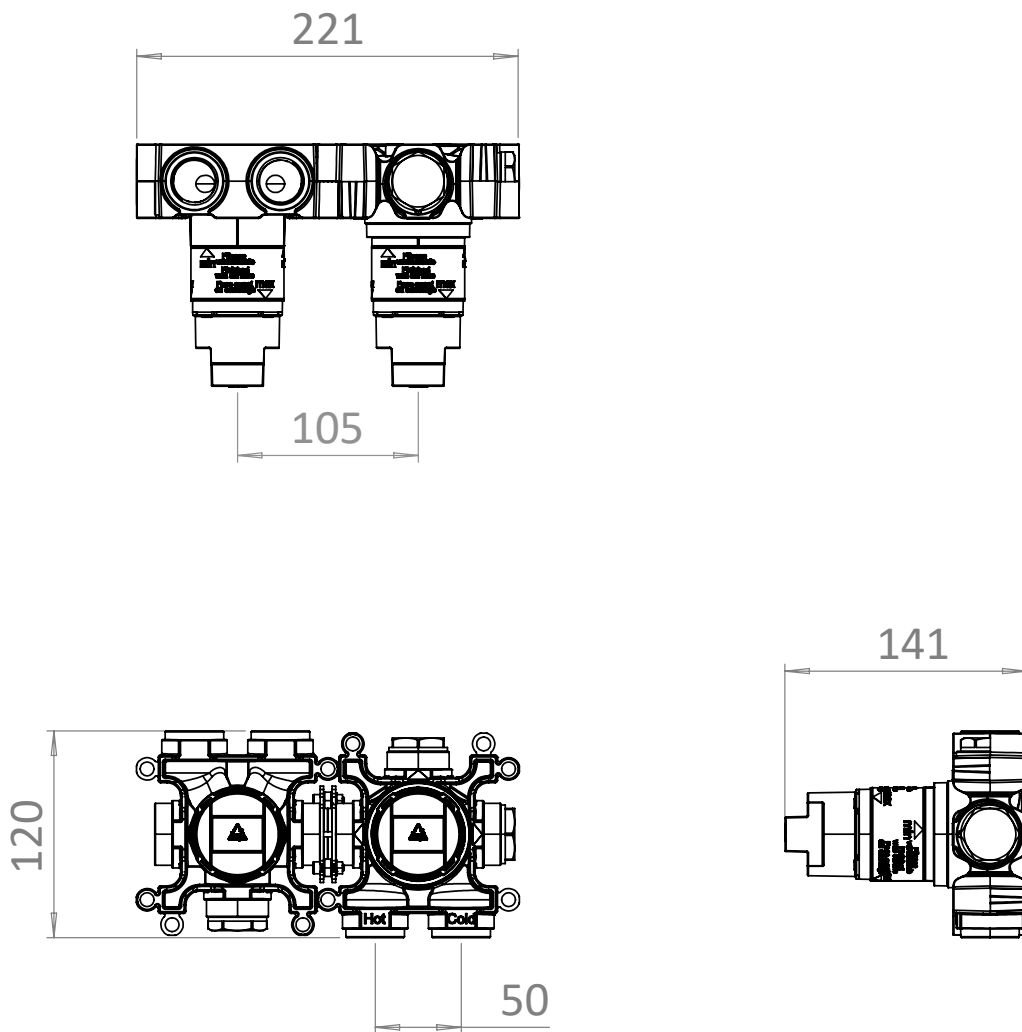
**PROMODDIVLBPx - 3 OUTLET**

| PRESSURE (BAR) | FLOWRATE |        |        |
|----------------|----------|--------|--------|
|                | EXIT 1   | EXIT 2 | EXIT 3 |
| MID            | 0.5      | 10     | 9.7    |
|                | 1        | 13.7   | 13.4   |
|                | 2        | 19.5   | 19     |
| HIGH           | 3        | 23.8   | 23.3   |
|                | 4        | 27.5   | 26.8   |
|                | 5        | 30.5   | 29.8   |

## TECHNICAL DIMENSIONS

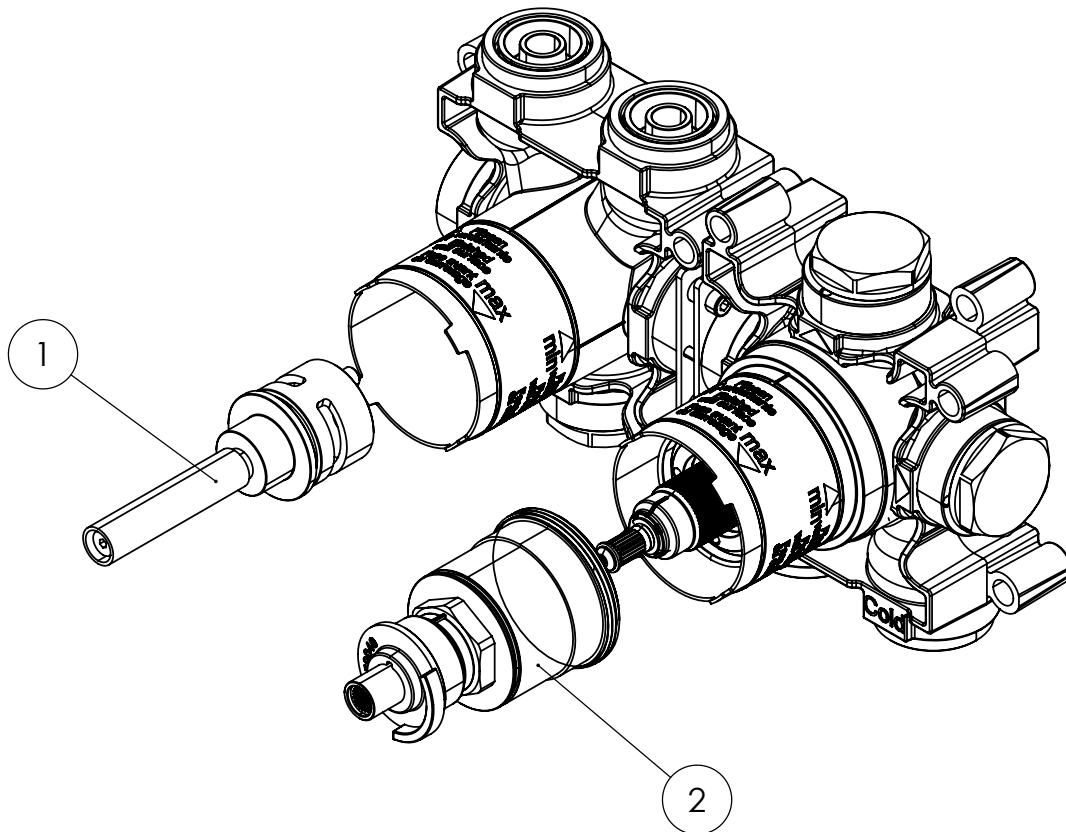
Dimensions in mm unless otherwise specified.

Tolerances (per material type) apply.



V10622

**SPARES DIAGRAM**



| NUMBER | PART CODE       | DESCRIPTION                     |
|--------|-----------------|---------------------------------|
| 1      | E250005.000HESC | Module 2 Way Diverter Cartridge |
| 2      | E250031.000HESC | Module Thermo Cartridge         |

Only the parts labelled are available as spares.

V10822