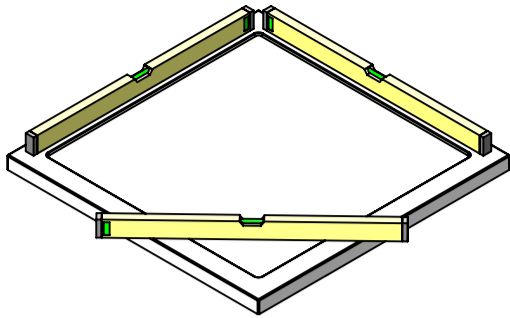
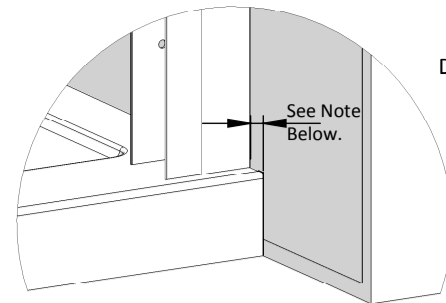
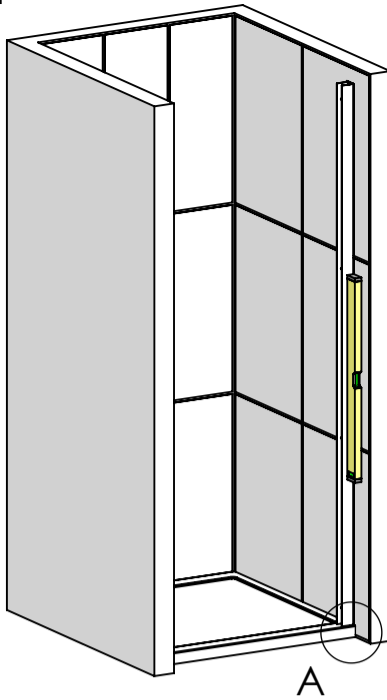


1



ENSURE THE TRAY IS LEVEL IN ALL PLANES.

2



DETAIL 'A'

OFFER THE FRAME ONTO THE TRAY FIRST. ENSURE WALL PROFILES WILL REACH BOTH WALLS.

SOME APPLICATIONS MAY REQUIRE MORE EXTENSION THAN THE ENCLOSURE WAS DESIGNED TO DO. IF THIS IS THE CASE YOU CAN PURCHASE EXTENSION PROFILES FROM YOUR SUPPLIER THAT WILL GIVE AN EXTRA 20mm PER SIDE.

**IN AN IDEAL INSTALLATION**

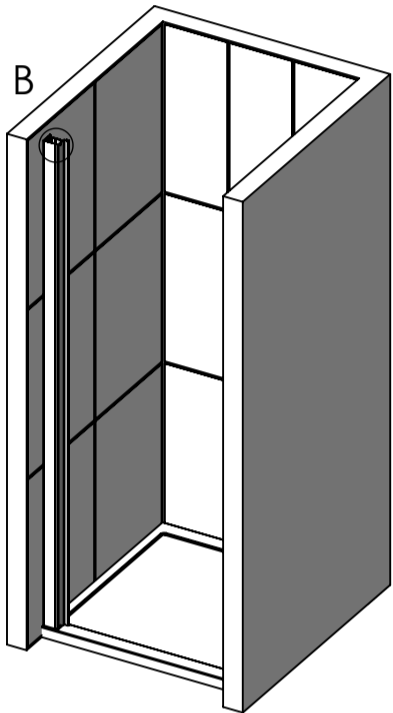
FOR ALCOVE FIT, SET BOTH WALL PROFILES 10mm BACK FROM THE FRONT FACE OF THE TRAY. **IMPORTANT** - THEY MUST BE LEVEL WITH EACH OTHER FROM THE BOTTOM TO THE TOP. MAKING SURE THEY ARE TRUE WITH A SPIRIT LEVEL, MARK THROUGH THE FIXING HOLES WITH A PENCIL.

REMOVE PROFILES THEN DRILL AND PLUG THE WALL (ITEM 25). NOW FIX THE WALL PROFILES IN PLACE USING ITEMS 21, 23\* & 24\*

\*IF YOU HAVE THE OPTIONAL SCREW COVER PROFILES (ITEM 5) DO NOT USE ITEMS 23 & 24 WHEN FIXING.

**NOTE:** IF FITTING THIS DOOR WITH A SIDE PANEL, FIT ONLY ONE WALL PROFILE AT THE FRONT OF THE TRAY AND REFER TO THE SIDE PANEL INSTRUCTIONS WITHIN THE SIDE PANEL BOX. ALSO IF USING A SIDE PANEL YOU WILL ALSO NEED TO FIT THE TOP SUPPORT BAR (ITEM 7), SEE STEP 4 - SIDE PANEL FIT.

3



CHOOSE WHICH SIDE YOU WANT THE DOOR TO HINGE FROM AND THEN SLIDE THE MAGNET POST (ITEM 3) INTO THE OPPOSITE WALL CHANNEL. (DETAIL 'B')

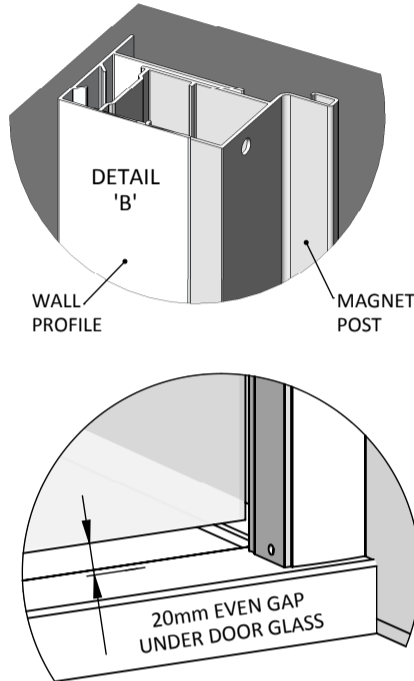
FIT THE HANDLE (ITEM 14) TO THE GLASS ENSURING ITS THE RIGHT WAY UP. THIS WILL HELP YOU LIFT THE DOOR INTO POSITION.

NOW SLIDE THE DOOR SUB ASSEMBLY INTO THE OTHER WALL PROFILE WITH ONE PERSON SITUATED EITHER SIDE OF DOOR.

THE PERSON ON THE OUTSIDE WILL ADJUST THE DOOR AS NECESSARY. THE SECOND PERSON INSIDE THE ENCLOSURE WILL DRILL AND PIN THE PROFILES IN PLACE WHEN IT IS TRUE, SQUARE AND SET TO THE CORRECT DIMENSIONS LISTED NEXT.

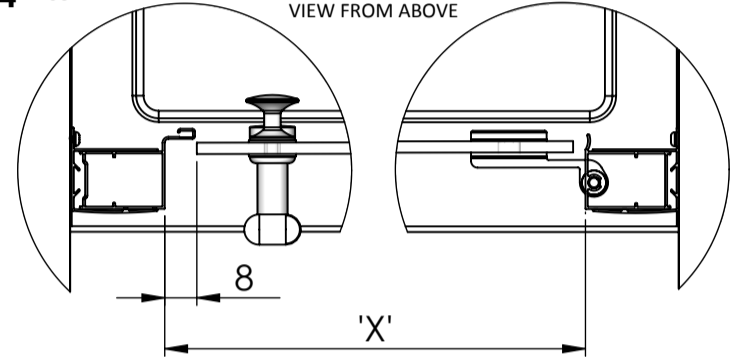
IT IS VERY IMPORTANT TO HAVE THE BOTTOM OF THE GLASS PARALLEL TO THE TRAY TOP FACE. IT MUST HAVE A 20mm EVEN GAP ALL THE WAY ALONG.

MAKING A TEMPORARY SPACER BLOCK WILL ASSIST FITTING.



4 ALCOVE FIT

VIEW FROM ABOVE



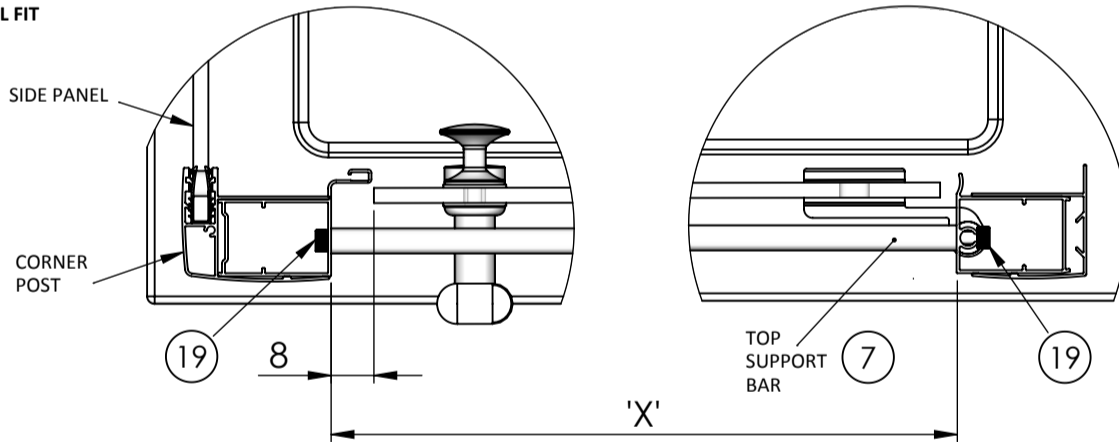
THE DOOR GLASS EDGE IS TO BE SET 8mm (SEE ABOVE) FROM THE MAGNETIC POST FACE (ITEM 3).

THERE SHOULD BE AN EQUAL AMOUNT OF VERTICAL PROFILE (ITEMS 1 AND 3) LOCATED IN EACH WALL PROFILE (ITEM 2). ADJUST TO CENTRALISE.

'X' IS THE IMPORTANT MEASUREMENT REQUIRED BETWEEN THE TWO VERTICAL PROFILE FACES. THE SIZES ARE TO BE SET AS FOLLOWS:  
700 DOOR = 550mm, 760 DOOR = 610mm, 800 DOOR = 650mm, 900 DOOR = 750mm

THE PROFILES AND THE GLASS SHOULD BE SET TRUE & LEVEL WITH A SPIRIT LEVEL. THE 'X' MEASUREMENT SHOULD BE THE SAME AT THE TOP AND THE BOTTOM.

4 SIDE PANEL FIT



THE DOOR GLASS EDGE IS TO BE SET 8mm (SEE ABOVE) FROM THE MAGNETIC POST FACE (ITEM 3)

THERE SHOULD BE AN EQUAL AMOUNT OF VERTICAL PROFILE (ITEMS 1 AND 3) LOCATED IN THE WALL PROFILE (ITEM 2) AND THE SIDE PANEL CORNER POST. ADJUST TO CENTRALISE.

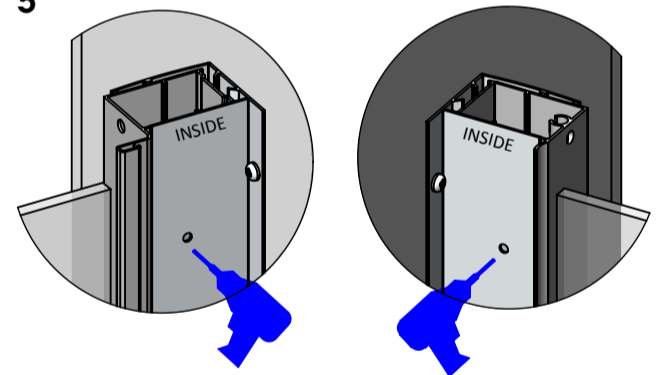
'X' IS THE IMPORTANT MEASUREMENT REQUIRED BETWEEN THE TWO VERTICAL PROFILE FACES. THE SIZES ARE TO BE SET AS FOLLOWS:

700 DOOR = 550mm, 760 DOOR = 610mm, 800 DOOR = 650mm, 900 DOOR = 750mm

**IF FITTING A SIDE PANEL, FIT THE TOP SUPPORT BAR (ITEM 7), THIS WILL ALSO SET THE GAP.**

THE PROFILES AND THE GLASS SHOULD BE SET TRUE & LEVEL WITH A SPIRIT LEVEL. THE 'X' MEASUREMENT SHOULD BE THE SAME AT THE TOP AND THE BOTTOM.

5



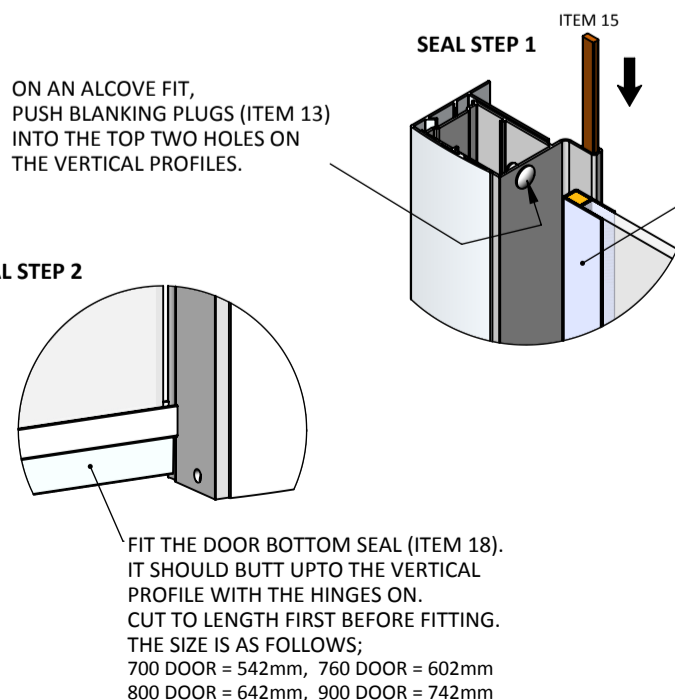
WHEN YOU ARE SATISFIED THE DOOR IS TRUE, SQUARE AND DIMENSIONALLY CORRECT IT CAN BE FIXED IN PLACE.

DRILL THROUGH THE PRE-DRILLED HOLES IN THE REAR OF THE WALL PROFILES (SHOWN ABOVE). USE A 3mm DRILL AND MAKE SURE YOU ONLY DRILL THROUGH ONE WALL THICKNESS.

FIX THE PROFILES WITH ITEMS 22, 23\* & 24\*

**\*NOTE:** IF YOU HAVE THE OPTIONAL SCREW COVER PROFILES (ITEM 5) DON'T USE ITEMS 23 & 24, FIT THE SCREW PROFILE FIXING CLIPS (ITEM 6) UNDER THE SAME SCREWS.

6



SEAL STEP 1

ITEM 15

ON AN ALCOVE FIT, PUSH BLANKING PLUGS (ITEM 13) INTO THE TOP TWO HOLES ON THE VERTICAL PROFILES.

SLIDE THE CONCEALED MAGNET (ITEM 15) INTO PROFILE. CHECK POLARITY ATTRACTS DOOR BEFORE INSERTING. FIT DOOR MAGNET ITEM 16 TO DOOR GLASS.

IT IS TO BE LEVEL WITH THE TOP OF THE DOOR. AND CUT TO LENGTH PRIOR TO FITTING.

ON AN 1850mm ENCLOSURE CUT TO 1798mm LONG.  
ON A 1900mm ENCLOSURE CUT TO 1848mm LONG.

FIT 'P' SHAPED VERTICAL SEAL (ITEM 17). IT SHOULD SIT FLUSH ON THE TOP OF THE DOOR BOTTOM SEAL. THE 'P' PART OF THE SEAL IS TO BE TOWARDS THE INSIDE OF THE ENCLOSURE. (SEE BELOW) CUT TO LENGTH FIRST BEFORE FITTING.

THE SIZE IS AS FOLLOWS;  
1850 mm ENCLOSURE = CUT TO 1798mm LONG  
1900 mm ENCLOSURE = CUT TO 1848mm LONG

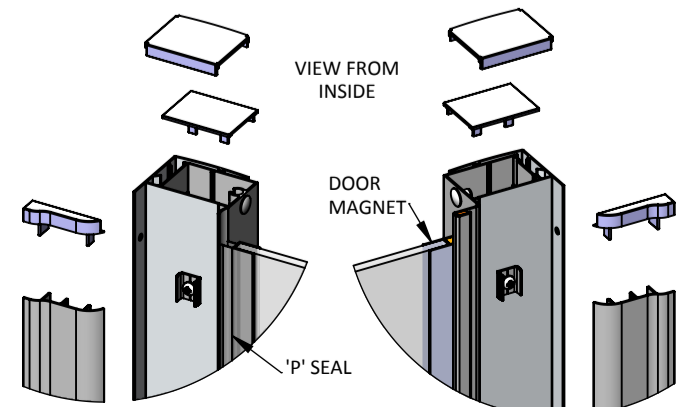
SEAL STEP 3

FIT THE DOOR BOTTOM SEAL (ITEM 18). IT SHOULD BUTT UP TO THE VERTICAL PROFILE WITH THE HINGES ON. CUT TO LENGTH FIRST BEFORE FITTING. THE SIZE IS AS FOLLOWS;  
700 DOOR = 542mm, 760 DOOR = 602mm  
800 DOOR = 642mm, 900 DOOR = 742mm

7

NOW YOU HAVE FITTED THE DOOR MAGNET (ITEM 16) AND SEALS, CHECK THE OPERATION OF THE DOOR. MAKE SURE THE DOOR SHUTS PARALLEL TO THE MAGNETIC POST ITEM 3 (TOP TO BOTTOM). IF IT DOESN'T, SLACKEN THE WALL PROFILE FIXING SCREWS AND SLIGHTLY ADJUST THE WALL PROFILES UNTIL IT DOES. **IMPORTANT:** THE DOOR MAGNET SHOULD ENGAGE ON ITS FULL LENGTH. RETIGHTEN ALL SCREWS AFTER ANY ADJUSTING. ALSO CHECK THE 'P' SEAL SEALS ON THE VERTICAL PROFILE WHEN CLOSED.

IF YOU HAVE THE OPTIONAL SCREW COVER PROFILE (ITEM 5) PUSH FIT THEM ONTO THE FIXING CLIPS (ITEM 6).



## 8 FITTING THE DRIP STRIP

**STEP 1**  
CHECK THE LENGTH OF THE DRIP STRIP PROFILE.  
IT SHOULD MEASURE THE FOLLOWING:  
700mm DOOR = 545mm 760mm DOOR = 605mm  
800mm DOOR = 645mm 900mm DOOR = 745mm

**STEP 2**  
FILL THE UNDERSIDE OF THE DRIP STRIP PROFILE WITH SILICONE (ITEM 4)

**STEP 3**  
FIT THE DRIP STRIP END CAPS (ITEM 19) ONTO EACH END OF THE PROFILE.

**STEP 4**  
FIT THE DRIP STRIP AND CAPS INTO THE TWO BOTTOM HOLES IN THE VERTICAL PROFILES.

## 9

EXTERNALLY SILICONE SEAL THE WALL PROFILES WHERE THEY MEET THE WALL AND ALONG THE BOTTOM WHERE THEY MEET THE TRAY. ALSO FULLY SEAL THE DRIP STRIP AND RETAINER CLIPS (ITEM 4 & 19) ALL IN A CONTINUOUS BEAD.

SILICONE PLASTIC MOULDING AND 150mm HIGH AS SHOWN IN DETAILED VIEW BELOW.

DO NOT SILICONE INSIDE THE ENCLOSURE.

ALLOW THE SILICONE AT LEAST 24 HOURS TO FULLY CURE.

WHERE THE FRAME VERTICAL PROFILE MEETS THE WALL PROFILE.

150

SILICONE THE PLASTIC MOULDING WITH AS SMALL A BEAD AS POSSIBLE.

**AFTERCARE** - ENSURE YOU CLEAN YOUR PRODUCT USING A MILD DETERGENT DILUTED IN WATER, REMOVING ANY RESIDUE WITH A SOFT DAMP CLOTH.

**MAINTENANCE** - ENSURE MOVING PARTS ARE FREE FROM ANY DEBRIS OR SOAP BUILD UP.

### SHOWER ENCLOSURE WITH WHEELS

THE WHEELS MUST ROTATE FREELY AND THE SPRING LOADED MECHANISM IN THE BOTTOM WHEELS MUST OPERATE WITHOUT INTERFERENCE.

### TROUBLE SHOOTING GUIDE

1. IS THE TRAY LEVEL? (SEE STEP 1).
2. HAVE YOU COMPLETED STEP 2 CORRECTLY.?
3. ARE THE WALL PROFILES PLUMB VERTICALLY? (SEE STEP 2).
4. DOES THE DOOR HAVE A 20mm EVEN / PARALLEL GAP BETWEEN THE BOTTOM OF THE GLASS AND TRAY? (SEE STEP 3).
5. IS THERE A 17mm GAP BETWEEN THE EDGE OF THE DOOR GLASS AND THE MAGNETIC POST FACE? (WITHOUT THE DOOR MAGNET FITTED (SEE STEP 4 & 4A)).
6. DOES THE DOOR SHUT PARALLEL TO THE MAGNETIC POST AND THE DOOR MAGNET ENGAGES / ATTRACTS ALONG ITS FULL LENGTH?
7. DO THE DOOR MAGNETS ATTRACT TO EACH OTHER? (SEE STEP 6).
8. DO THE FINISHED TRAY MEASUREMENTS COMPLY WITH THE ADJUSTMENTS LISTED IN THE PRODUCT SPECIFICATION?
9. WHEN CONSIDERING THE LENGTH OF THE TOP TRACK ALSO CONSIDER THE VERTICAL PROFILES THAT ARE SECURED TO IT WHICH INCREASE ITS LENGTH.
10. ONCE INSTALLED LEAVE THE ENCLOSURE DOORS IN THE CLOSED POSITION WHEN NOT IN USE AS MAGNET STRENGTH INCREASE OVER THE FIRST WEEK.

## HINGE DOOR FITTING INSTRUCTION

UNPACK THE BOX AND ENSURE ALL COMPONENTS ARE PRESENT.

NO REFUNDS OR REFITTING COST WILL BE GIVEN IF INCOMPLETE OR DAMAGED GOODS ARE FITTED.

THE TOUGHENED SAFETY GLASS SHOULD BE HANDLED WITH CARE AS IMPACTS WILL DAMAGE THE GLASS OR ENCLOSURE.

FIT THE SHOWER TRAY AS PER THE MANUFACTURERS INSTRUCTIONS.

NOTE: IF THE TRAY ISN'T TRUE AND LEVEL, IT MUST BE RECTIFIED BEFORE SILICONING AROUND THE TOP EDGE OF THE TRAY WHERE IT MEETS THE TILES. ALLOW THE SILICONE TO DRY BEFORE FITTING THE ENCLOSURE.

THE ENCLOSURE INSTALLATION IS RECOMMENDED AS A TWO MAN OPERATION.

### TOOLS REQUIRED:

POWER DRILL - 3mm DRILL BIT - 6mm MASONRY DRILL BIT  
CROSS HEAD SCREW DRIVER - TAPE MEASURE - PENCIL  
SILICONE GUN WITH SANITARY GRADE SEALANT - SPIRIT LEVEL  
RUBBER HEAD Mallet.

| ITEM | DESCRIPTION                         | Notes                        | QTY |
|------|-------------------------------------|------------------------------|-----|
| 1    | HINGE DOOR SUB ASSEMBLY             |                              | 1   |
| 2    | WALL PROFILE                        |                              | 2   |
| 3    | MAGNET POST                         |                              | 1   |
| 4    | DRIP STRIP PROFILE                  |                              | 1   |
| 5    | SCREW COVER PROFILE                 | OPTIONAL ON SOME MODELS      | 2   |
| 6    | SCREW COVER PROFILE FIXING CLIPS    | OPTIONAL ON SOME MODELS      | 8   |
| 7    | TOP SUPPORT BAR (STAINLESS)         | USE WITH SIDE PANEL          | 1   |
| 8    | WALL PROFILE TOP CAP LH             |                              | 1   |
| 9    | WALL PROFILE TOP CAP RH             |                              | 1   |
| 10   | SCREW COVER PROFILE CAP LH          | OPTIONAL ON SOME MODELS      | 1   |
| 11   | SCREW COVER PROFILE CAP RH          | OPTIONAL ON SOME MODELS      | 1   |
| 12   | RECTANGULAR CAP                     |                              | 2   |
| 13   | BLANKING PLUG                       |                              | 2   |
| 14   | HANDLE SUB ASSEMBLY                 |                              | 1   |
| 15   | CONCEALED MAGNET                    |                              | 1   |
| 16   | DOOR MAGNET                         |                              | 1   |
| 17   | DOOR VERTICAL 'P' SEAL (HINGE SIDE) |                              | 1   |
| 18   | DOOR BOTTOM SEAL                    |                              | 1   |
| 19   | DRIP STRIP RETAINER CLIP            |                              | 2   |
| 20   | M5 x 20 SOC HD SCREW                |                              | 2   |
| 21   | SCREW DIA 3.9mm x 30mm PAN HEAD     | FOR FIXING TO WALL           | 6   |
| 22   | SCREW DIA 3.9mm x 10mm PAN HEAD     |                              | 8   |
| 23   | SCREW CUP (NOT SHOWN)               | ONLY USED WHEN NO ITEM 4 & 5 | 6   |
| 24   | SCREW CHROME CAP (NOT SHOWN)        | ONLY USED WHEN NO ITEM 4 & 5 | 6   |
| 25   | RAWLPLUG                            |                              | 6   |