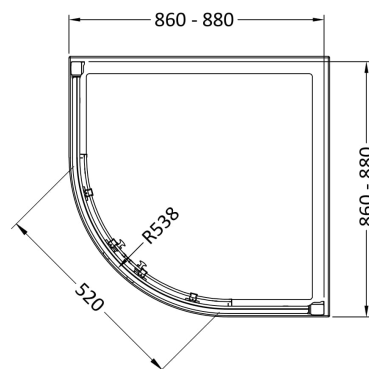
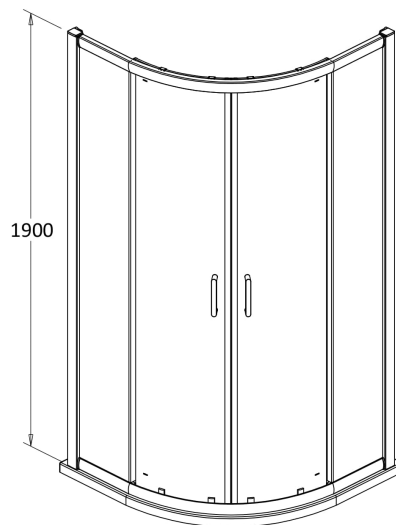


Sales Code: AQU9N-E8

Description: 900 X 900 Quadrant 8mm



**Product Dimensions**

Height (mm):	1900
Width (mm):	880
Depth (mm):	880
Nett Weight (kg):	56.9

**Packaging Dimensions**

Height (mm):	155
Width (mm):	435
Length (mm):	1960
Gross Weight (kg):	56.9

**Packaging Data**

Box Colour:	Brown Cardboard Box - Printed
Box Qty:	1
Label Size:	100 x 50
Label Colour:	White Label
Label Qty:	2

**Outer Box Dimensions (If Applicable)**

Height (mm):	
Width (mm):	
Depth (mm):	
Length (mm):	
Gross Weight (kg):	
Barcode:	5055275819548

**Product Details**

Country of Origin:	China
Fitting Instruction:	No
CE & UKCA:	
Profile Material:	Aluminium
Profile Finish:	
Adjustments (mm):	860mm - 880mm
Entry Width (mm):	
Swing In Dim (mm):	
Swing Out Dim (mm):	
Radius (mm):	538 mm
Glass Thickness (mm):	8
Easy Fit:	Yes
Easy Clean:	Yes
Handle Style:	Square T Shape Handle
Handle Material:	Metal
Enclosure Design:	Framed
Wheel Type:	Dual, Quick Release
Support Bar Included:	Support Bar Not Included
Extras:	Screw Cover Strip