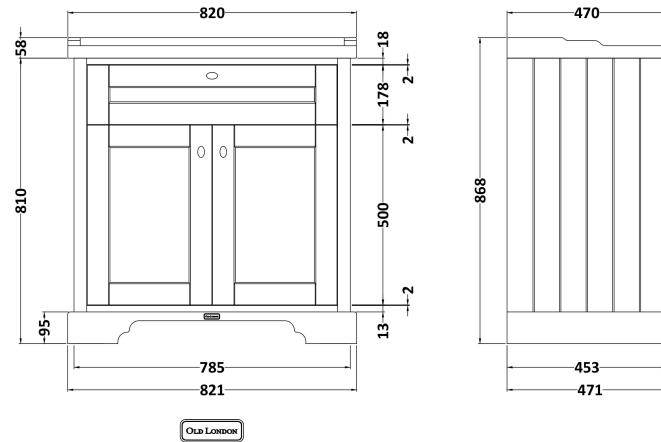


Sales Code: LOF205

Description: 800 2-Door Unit & Basin 1Th

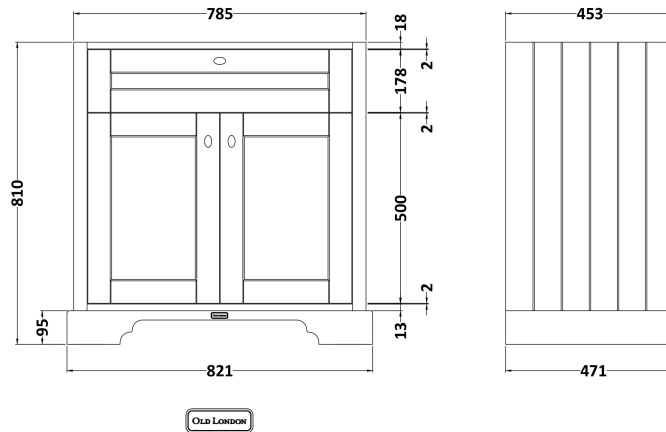
### Packaging Details

Barcode: 5056211819400



Sales Code: LON205

Description: 800 2-Door Basin Unit



### Product Dimensions

Height (mm):	810
Width (mm):	821
Depth (mm):	471
Nett Weight (kg):	35.5

### Packaging Dimensions

Height (mm):	851
Width (mm):	854
Depth (mm):	511
Gross Weight (kg):	36

### Packaging Data

Box Colour:	Brown Cardboard Box
Box Qty:	1
Label Size:	150 x 100
Label Colour:	White Label
Label Qty:	2

### Outer Box Dimensions (If Applicable)

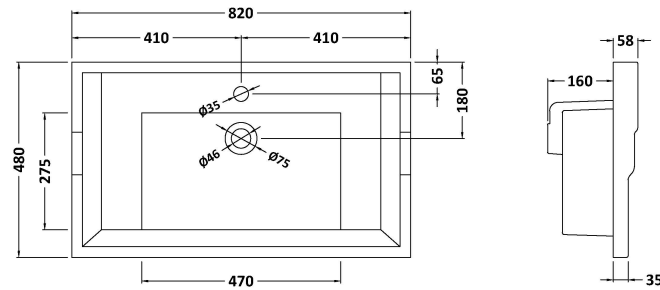
Height (mm):	
Width (mm):	
Depth (mm):	
Gross Weight (kg):	
Barcode:	5056211818021

### Product Details

Country of Origin:	Ireland
Fitting Instruction:	No
CE & UKCA:	
FSC Certified Materials:	Yes
Colour:	Storm Grey
Construction Method:	Cam & Wood Dowel
Construction Type:	Rigid
Cabinet Finish:	Mdf Vinyl Textured Woodgrain
Fascia Finish:	Mdf Vinyl Textured Woodgrain
Cabinet Thickness (mm):	18
Fascia Thickness (mm):	18
Drawer Included:	No
Drawer Type:	Not Applicable
No of Shelves:	1
Hinge Type:	95 Degree Inset Clip-On S/C
Hinge Included:	Yes
Adjustable Legs:	Not Applicable
Fixings Included:	Not Required
Handle Style:	Traditional
Waste Shroud:	No
Handle Included:	Yes
Handle Type:	Knob

Sales Code: NLV005

Description: 800mm Traditional Basin 1 Th



### Product Dimensions

Height (mm):	210
Width (mm):	820
Depth (mm):	480
Nett Weight (kg):	17.1

### Packaging Dimensions

Height (mm):	260
Width (mm):	840
Depth (mm):	500
Gross Weight (kg):	18.8

### Packaging Data

Box Colour:	Brown Cardboard Box - Printed
Box Qty:	1
Label Size:	100 x 50
Label Colour:	White Label
Label Qty:	2

### Outer Box Dimensions (If Applicable)

Height (mm):	
Width (mm):	
Depth (mm):	
Gross Weight (kg):	
Barcode:	5055369043408

### Product Details

Country of Origin:	China
Fitting Instruction:	No
Certification: CE & UKCA:	N/A
WRAS:	N/A
WRAS No:	N/A
Product Material:	Vitreous China
Fixing Supplied:	No

**Pans/Bidets:** Trap Style: Not Applicable Includes Seat: Not Applicable

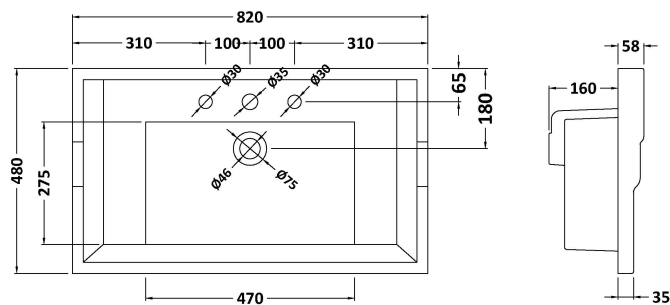
**Seats:** Seat Type: Not Applicable Material: Not Applicable  
Function: Not Applicable Hinge Type: Not Applicable  
Hinge Material: Not Applicable

**Cisterns:** Operating Type: Not Applicable Fittings: Not Applicable  
Lever Type: Not Applicable

**Basins:** Tap Hole: Three Tapholes Chain Stay Hole: No  
Template: Not Required Waste Type Req: Slotted  
Overflow Inc: Yes Overflow Cover: Yes  
Inner Bowl Depth (mm): 140mm

Sales Code: NLV035

Description: 800mm Traditional Basin 3Th



### Product Dimensions

Height (mm):	218
Width (mm):	820
Depth (mm):	480
Nett Weight (kg):	21

### Packaging Dimensions

Height (mm):	260
Width (mm):	840
Depth (mm):	500
Gross Weight (kg):	22

### Packaging Data

Box Colour:	Brown Cardboard Box - Printed
Box Qty:	1
Label Size:	100 x 50
Label Colour:	White Label
Label Qty:	2

### Outer Box Dimensions (If Applicable)

Height (mm):	
Width (mm):	
Depth (mm):	
Gross Weight (kg):	
Barcode:	5055275830031

### Product Details

Country of Origin:	China
Fitting Instruction:	No
Certification: CE & UKCA:	WRAS: WRAS No:
Product Material:	Vitreous China
Fixing Supplied:	No

**Pans/Bidets:** Trap Style: Not Applicable Includes Seat: Not Applicable

**Seats:** Seat Type: Not Applicable Material: Not Applicable  
Function: Not Applicable Hinge Type: Not Applicable  
Hinge Material: Not Applicable

**Cisterns:** Operating Type: Not Applicable Fittings: Not Applicable  
Lever Type: Not Applicable

**Basins:** Tap Hole: Three Tapholes Chain Stay Hole: No  
Template: Not Required Waste Type Req: Slotted  
Overflow Inc: Yes Overflow Cover: Yes  
Inner Bowl Depth (mm): 130mm