

PRODUCT DATA SHEET



PRODUCT CODE

MP5070BZ

RANGE

Mirror

DESCRIPTION

MPRO Lit Mirror 500 x 700mm Brushed Bronze

WEBSITE LINK [Click Here](#)

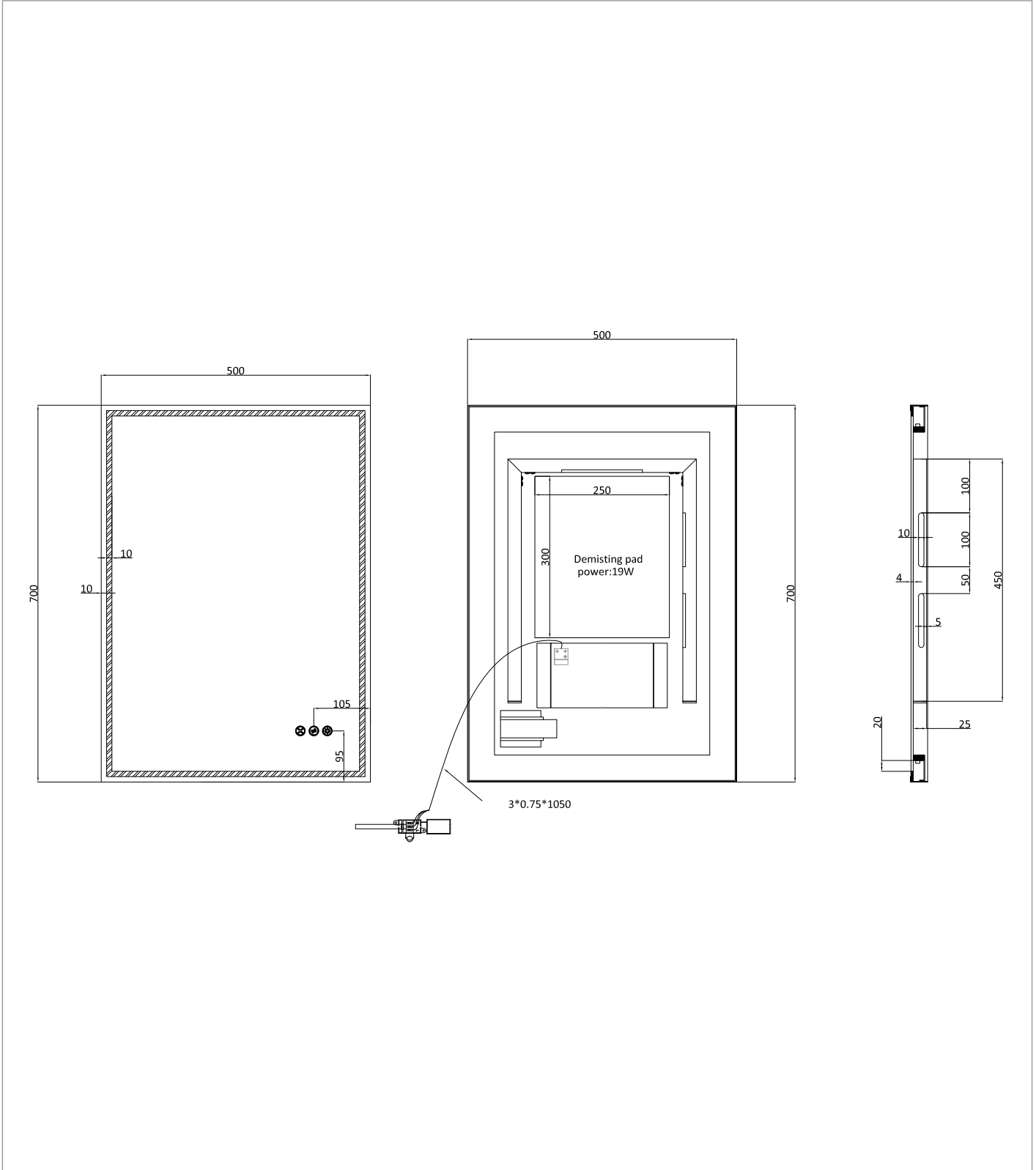
CATEGORY	Cabinets & Mirrors
WARRANTY DETAILS	5 Years
COLOUR	Brushed Bronze
FINISH APPLICATION	PVD
PRIMARY MATERIAL	Glass
SECONDARY MATERIAL	304 Stainless Steel
INSTALL TYPE	Wall Mounted
PRODUCT WIDTH MM	500
PRODUCT HEIGHT MM	700
PRODUCT LENGTH MM	32
PRODUCT NET WEIGHT KG	6.32
STANDARDS	EN60598,EN60529,EN62543

HANDING MIRROR & CABINETS	Universal
TEMPERATURE CHANGING	Yes
SHELVES ADJUSTABLE	No
SHAVER SOCKET INCLUDED	No
CABLE LENGTH (MM)	1050
COLOUR RANGE (K)	3000-6400K
LUMINOUS EFFICACY (LM/W)	95
COLOUR RENDERING INDEX (RA)	85
ENERGY RATING	E
SWITCH TYPE	Touch switch
DIMMABLE	Yes
LIGHT TYPE	LED
LED WATTAGE	8.8W
DRIVER WATTAGE	15W
DE-MISTER WATTAGE	19W

TECHNICAL DIMENSIONS

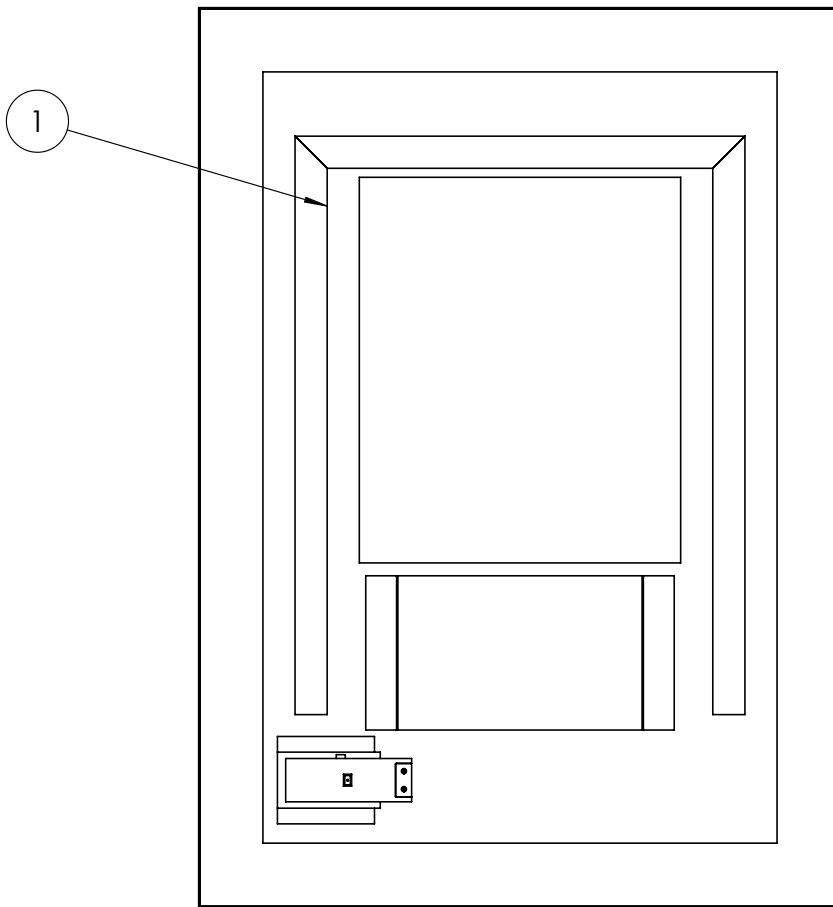
Dimensions in mm unless otherwise specified.

Tolerances (per material type) apply.



SPARES LIST

Only the parts labelled are available as spares.



NUMBER	PART CODE	DESCRIPTION
1	MIRRORFIX	Fix Screw Pack Keyhole Mirror Fix