

PRODUCT DATA SHEET



PRODUCT CODE

CV_MIRROR90

RANGE

Mirror

DESCRIPTION

Canvass Mirror 90

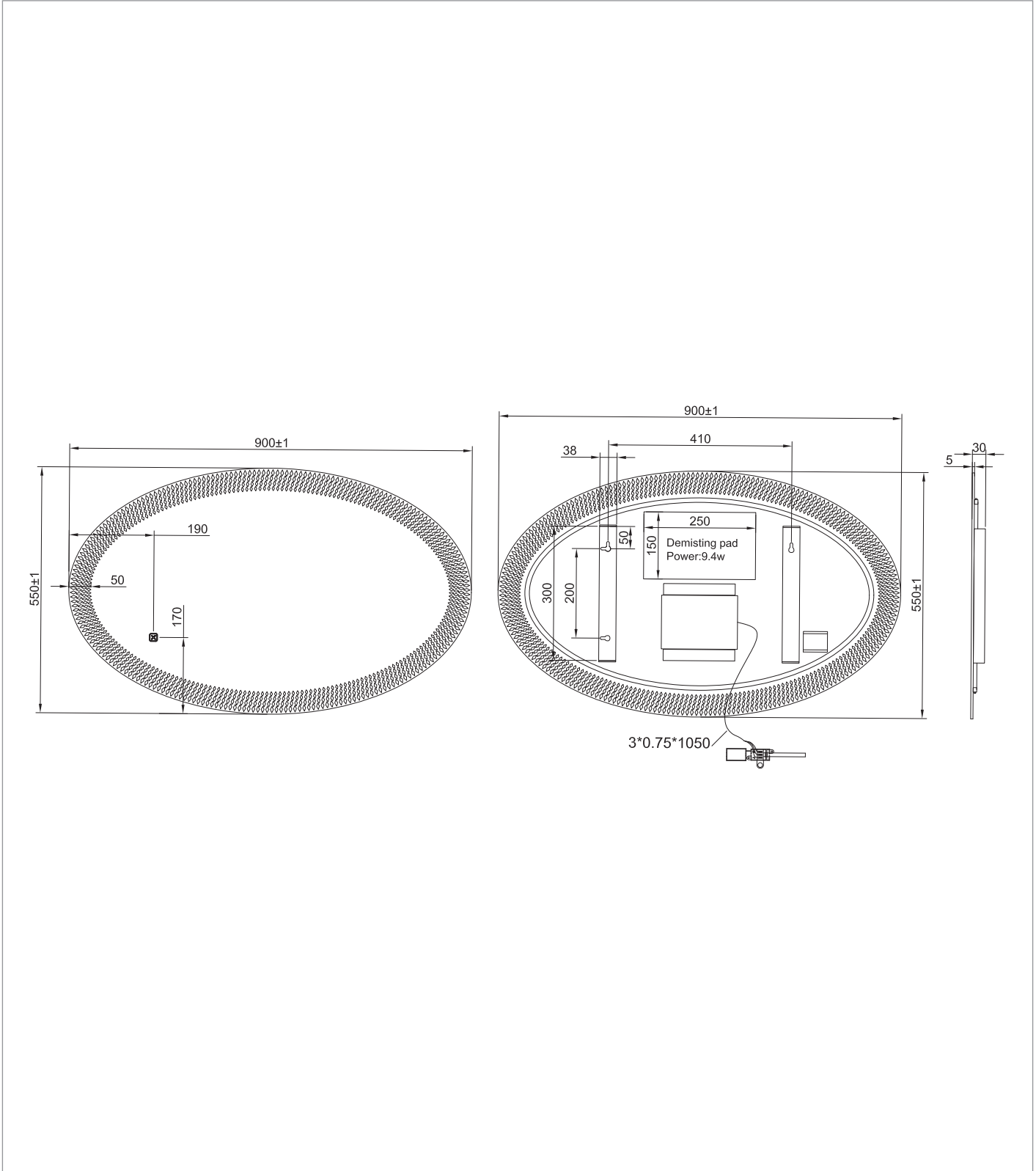
CATEGORY	Cabinets & Mirrors
WARRANTY DETAILS	5 Years
COLOUR	Clear
PRIMARY MATERIAL	Glass
SECONDARY MATERIAL	Aluminum
INSTALL TYPE	Wall Mounted
PRODUCT WIDTH MM	900
PRODUCT HEIGHT MM	550
PRODUCT LENGTH MM	30
PRODUCT DEPTH MM	30
PRODUCT NET WEIGHT KG	4.3
STANDARDS	CE & UKCA

HANDING MIRROR & CABINETS	Universal
TEMPERATURE CHANGING	Yes
CHARGING SOCKET (MA)	No
SHELVES ADJUSTABLE	No
SHAVER SOCKET INCLUDED	No
CABLE LENGTH (MM)	1050
COLOUR RANGE (K)	2700-6400K
LUMINOUS EFFICACY (LM/W)	95
COLOUR RENDERING INDEX (RA)	85
ENERGY RATING	F
SWITCH TYPE	Touch switch
DIMMABLE	No
LIGHT TYPE	LED
LED WATTAGE	11.7W
DRIVER WATTAGE	15W
DE-MISTER WATTAGE	8.2W

TECHNICAL DIMENSIONS

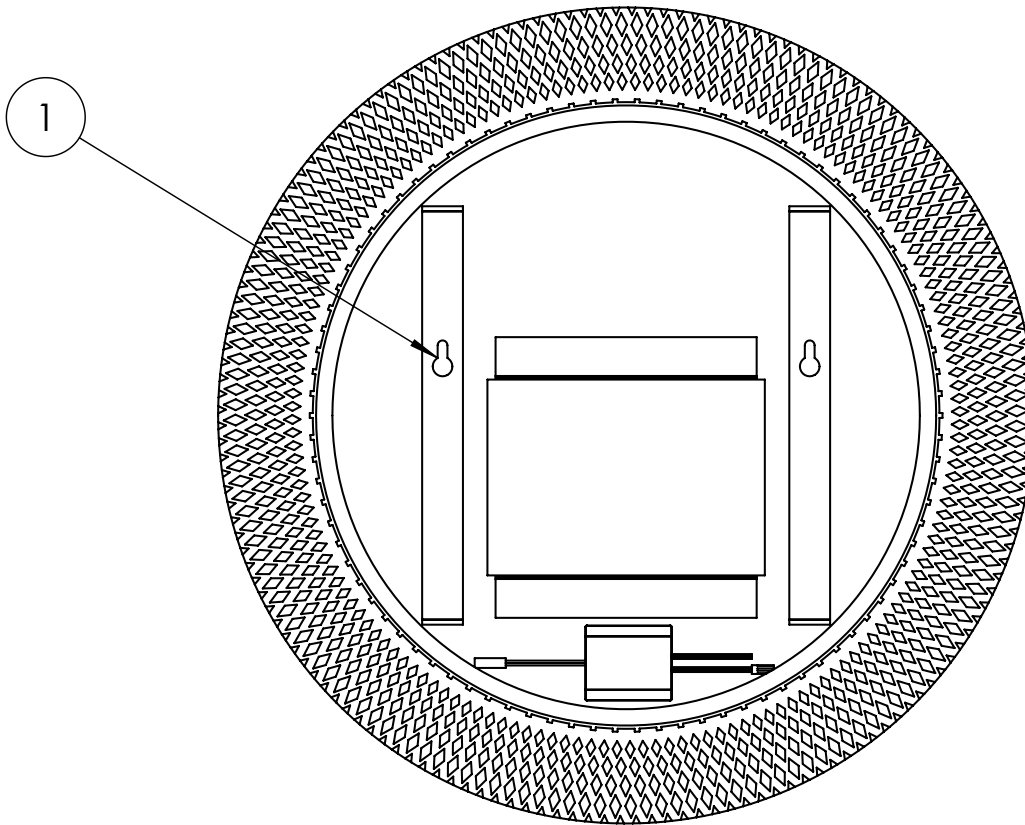
Dimensions in mm unless otherwise specified.

Tolerances (per material type) apply.



SPARES LIST

Only the parts labelled are available as spares.



NUMBER	PART CODE	DESCRIPTION
1	MIRRORFIX	Fix Screw Pack Keyhole Mirror Fix