

# PRODUCT DATA SHEET



## PRODUCT CODE

VE038C

## RANGE

Velo

## DESCRIPTION

Velo Towel Rail 450mm Chrome

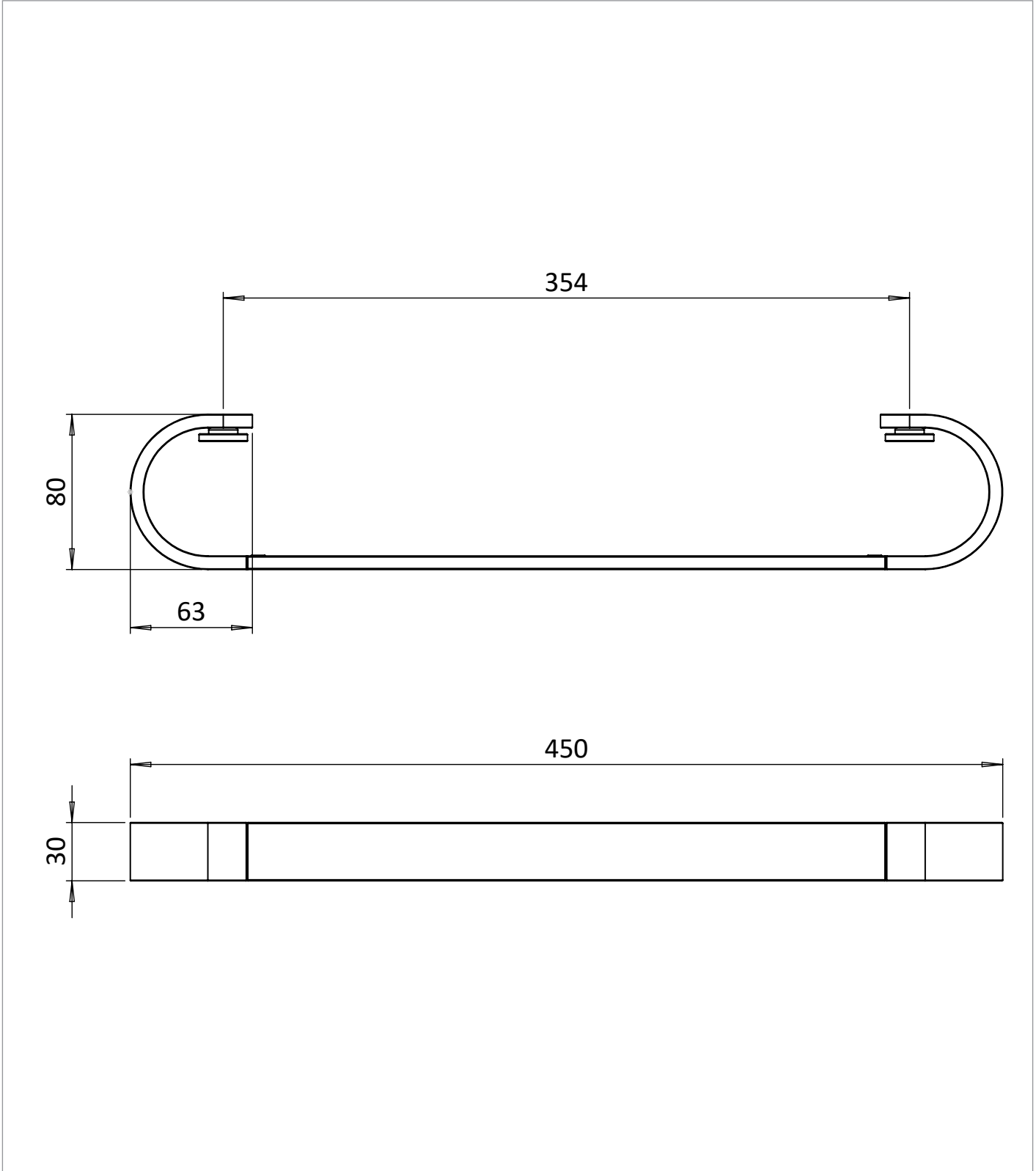
WEBSITE LINK [Click Here](#)

CATEGORY	Accessories
WARRANTY DETAILS	15 Years
COLOUR	Chrome
FINISH APPLICATION	Electroplated
PRIMARY MATERIAL	Brass
INSTALL TYPE	Wall Mounted
PRODUCT WIDTH MM	450
PRODUCT HEIGHT MM	30
PRODUCT DEPTH MM	80
PRODUCT NET WEIGHT KG	1.5

## TECHNICAL DIMENSIONS

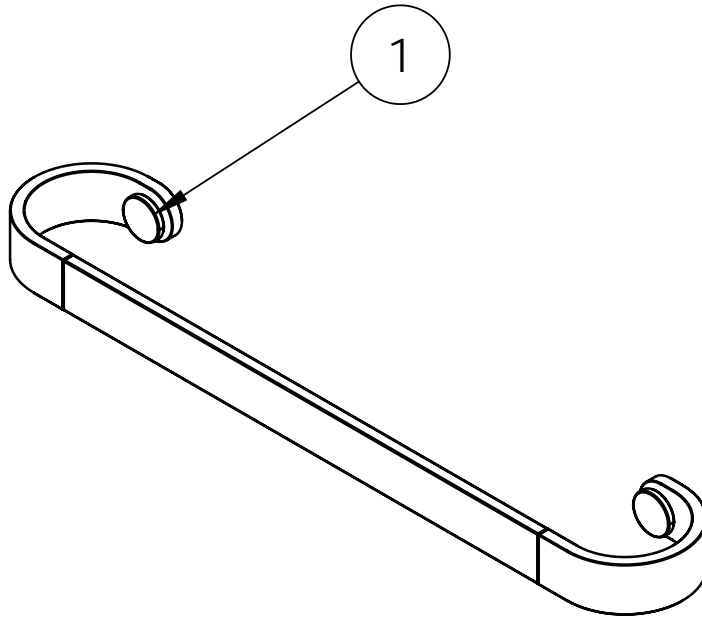
Dimensions in mm unless otherwise specified.

Tolerances (per material type) apply.



## SPARES LIST

Only the parts labelled are available as spares.



NUMBER	PART CODE	DESCRIPTION
1	VE00006C	Velo Decoration Cap for VE038C/VE023C
	VE00006V	Velo Decoration Cap for VE038V/VE023V Brushed Nickel
	VE00006F	Velo Decoration Cap for VE038F/VE023F Brushed Brass
	VE00006BZ	Velo Decoration Cap for VE038BZ/VE023BZ Brushed Bronze
	VE00006T	Velo Decoration Cap for VE038T/VE023T Slate
	VE00006M	Velo Decoration Cap for VE038M/VE023M Matt Black
2	VE00002	Velo Screw Bag for VE038/VE023